



ROHDE & SCHWARZ

Test and Measurement
Division

Operating Manual

SPECTRUM ANALYZER

R&S FSP3

1093.4495.03

R&S FSP7

1093.4495.07

R&S FSP13

1093.4495.13

R&S FSP30

1093.4495.30/.39

Volume 2

This Operating Manual consists of 2 volumes

Printed in the Federal
Republic of Germany

Dear Customer,

throughout this operating manual, the abbreviation FSP is used for your Spectrum Analyzer R&S FSP.

Tabbed Divider Overview

Volume 1

Data Sheet

Safety Instructions
Certificate of Quality
EU Certificate of Conformity
List of R&S Representatives

Manuals for Spectrum Analyzer FSP

Tabbed Divider

1	Chapter 1:	Putting into Operation
2	Chapter 2:	Getting Started
3	Chapter 3:	Operation
4	Chapter 4:	Functional Description
10	Chapter 10:	Index

Volume 2

Data Sheet

Safety Instructions

Manuals for Spectrum Analyzer FSP

Tabbed Divider









5	Chapter 5:	Remote Control – Basics
6	Chapter 6:	Remote Control – Commands
7	Chapter 7:	Remote Control – Program Examples
8	Chapter 8:	Maintenance and Hardware Interfaces
9	Chapter 9:	Error Messages
10	Chapter 10:	Index

Safety Instructions

This unit has been designed and tested in accordance with the EC Certificate of Conformity and has left the manufacturer's plant in a condition fully complying with safety standards.

To maintain this condition and to ensure safe operation, the user must observe all instructions and warnings given in this operating manual.

Safety-related symbols used on equipment and documentation from R&S:

							
Observe operating instructions	Weight indication for units >18 kg	PE terminal	Ground terminal	Danger! Shock hazard	Warning! Hot surfaces	Ground	Attention! Electrostatic sensitive devices require special care

- The unit may be used only in the operating conditions and positions specified by the manufacturer. Unless otherwise agreed, the following applies to R&S products:
IP degree of protection 2X, pollution severity 2 overvoltage category 2, only for indoor use, altitude max. 2000 m.
The unit may be operated only from supply networks fused with max. 16 A.
Unless specified otherwise in the data sheet, a tolerance of $\pm 10\%$ shall apply to the nominal voltage and of $\pm 5\%$ to the nominal frequency.
- For measurements in circuits with voltages $V_{\text{rms}} > 30 \text{ V}$, suitable measures should be taken to avoid any hazards.
(using, for example, appropriate measuring equipment, fusing, current limiting, electrical separation, insulation).
- If the unit is to be permanently wired, the PE terminal of the unit must first be connected to the PE conductor on site before any other connections are made. Installation and cabling of the unit to be performed only by qualified technical personnel.
- For permanently installed units without built-in fuses, circuit breakers or similar protective devices, the supply circuit must be fused such as to provide suitable protection for the users and equipment.
- Prior to switching on the unit, it must be ensured that the nominal voltage set on the unit matches the nominal voltage of the AC supply network.
If a different voltage is to be set, the power fuse of the unit may have to be changed accordingly.
- Units of protection class I with disconnectible AC supply cable and appliance connector may be operated only from a power socket with earthing contact and with the PE conductor connected.
- It is not permissible to interrupt the PE conductor intentionally, neither in the incoming cable nor on the unit itself as this may cause the unit to become electrically hazardous.
Any extension lines or multiple socket outlets used must be checked for compliance with relevant safety standards at regular intervals.
- If the unit has no power switch for disconnection from the AC supply, the plug of the connecting cable is regarded as the disconnecting device. In such cases it must be ensured that the power plug is easily reachable and accessible at all times (length of connecting cable approx. 2 m). Functional or electronic switches are not suitable for providing disconnection from the AC supply.
If units without power switches are integrated in racks or systems, a disconnecting device must be provided at system level.
- Applicable local or national safety regulations and rules for the prevention of accidents must be observed in all work performed.
Prior to performing any work on the unit or opening the unit, the latter must be disconnected from the supply network.
Any adjustments, replacements of parts, maintenance or repair may be carried out only by authorized R&S technical personnel.
Only original parts may be used for replacing parts relevant to safety (eg power switches, power transformers, fuses). A safety test must be performed after each replacement of parts relevant to safety.
(visual inspection, PE conductor test, insulation-resistance, leakage-current measurement, functional test).

continued overleaf

Safety Instructions

10. Ensure that the connections with information technology equipment comply with IEC950 / EN60950.
11. Lithium batteries must not be exposed to high temperatures or fire.
Keep batteries away from children.
If the battery is replaced improperly, there is danger of explosion. Only replace the battery by R&S type (see spare part list).
Lithium batteries are suitable for environmentally-friendly disposal or specialized recycling. Dispose them into appropriate containers, only.
Do not short-circuit the battery.
12. Equipment returned or sent in for repair must be packed in the original packing or in packing with electrostatic and mechanical protection.
13. Electrostatics via the connectors may damage the equipment. For the safe handling and operation of the equipment, appropriate measures against electrostatics should be implemented.
14. The outside of the instrument is suitably cleaned using a soft, lint-free dustcloth. Never use solvents such as thinners, acetone and similar things, as they may damage the front panel labeling or plastic parts.
15. Any additional safety instructions given in this manual are also to be observed.

Contents of Manuals for Spectrum Analyzer FSP

Operating Manual FSP

The operating manual describes the following models and options of spectrum analyzer FSP:

- FSP3 9 kHz to 3 GHz
- FSP7 9 kHz to 7 GHz
- FSP13 9 kHz to 13.6 GHz
- FSP30 9 kHz to 30 GHz

- Option FSP B3 audio demodulator
- Option FSP-B4 OCXO - reference oscillator
- Option FSP-B9 tracking generator
- Option FSP-B10 external generator control
- Option FSP-B16 LAN interface
- Option FSP-B25 electronic attenuator

This operating manual contains information about the technical data of the instrument, the setup functions and about how to put the instrument into operation. It informs about the operating concept and controls as well as about the operation of the FSP via the menus and via remote control. Typical measurement tasks for the FSP are explained using the functions offered by the menus and a selection of program examples.

Additionally the operating manual includes information about maintenance of the instrument and about error detection listing the error messages which may be output by the instrument. It is subdivided into 9 chapters:

- | | |
|-------------------|---|
| Chapter 1 | describes the control elements and connectors on the front and rear panel as well as all procedures required for putting the FSP into operation and integration into a test system. |
| Chapter 2 | gives an introduction to typical measurement tasks of the FSP which are explained step by step. |
| Chapter 3 | describes the operating principles, the structure of the graphical interface and offers a menu overview. |
| Chapter 4 | forms a reference for manual control of the FSP and contains a detailed description of all instrument functions and their application. The chapter also lists the remote control command corresponding to each instrument function. |
| Chapter 5 | describes the basics for programming the FSP, command processing and the status reporting system. |
| Chapter 6 | lists all the remote-control commands defined for the instrument. At the end of the chapter a alphabetical list of commands and a table of softkeys with command assignment is given. |
| Chapter 7 | contains program examples for a number of typical applications of the FSP. |
| Chapter 8 | describes preventive maintenance and the characteristics of the instrument's interfaces. |
| Chapter 8 | gives a list of error messages that the FSP may generate. |
| Chapter 9 | contains a list of error messages. |
| Chapter 10 | contains an index for the operating manual. |

Service Manual - Instrument

The service manual - instrument informs on how to check compliance with rated specifications, on instrument function, repair, troubleshooting and fault elimination. It contains all information required for the maintenance of FSP by exchanging modules.

Contents - Chapter 5 "Remote Control - "Basics"

5 Remote Control - Basics	5.1
Introduction	5.1
Getting Started	5.2
Starting Remote Control Operation	5.3
Display Contents during Remote Control	5.3
Remote Control via IEC/IEEE Bus.....	5.4
Setting the Device Address	5.4
Return to Manual Operation	5.4
Remote Control via RS-232-Interface	5.5
Setting the Transmission Parameters	5.5
Return to Manual Operation	5.5
Limitations	5.5
Remote Control in a Network (RSIB Interface).....	5.6
Setting the Device Address	5.6
Return to Manual Operation	5.6
Messages	5.7
IEC/IEEE-Bus Interface Messages.....	5.7
Device Messages (Commands and Device Responses)	5.8
Structure and Syntax of the Device Messages	5.9
SCPI Introduction.....	5.9
Structure of a Command	5.9
Structure of a Command Line.....	5.12
Responses to Queries	5.12
Parameters	5.13
Overview of Syntax Elements.....	5.14
Instrument Model and Command Processing	5.15
Input Unit	5.15
Command Recognition	5.16
Instrument Data Base and Instrument Hardware	5.16
Output Unit.....	5.17
Command Sequence and Command Synchronization.....	5.17
Status Reporting System	5.18
Structure of an SCPI Status Register	5.18
Overview of the Status Registers	5.20
Description of the Status Registers	5.21
Status Byte (STB) and Service Request Enable Register (SRE).....	5.21
IST Flag and Parallel Poll Enable Register (PPE).....	5.22
Event-Status Register (ESR) and Event-Status-Enable Register (ESE).....	5.22
STATUS:OPERation Register	5.23
STATUS:QUEStionable Register	5.24
STATUS QUEStionable:ACPLimit Register	5.25
STATUS QUEStionable:FREQuency Register.....	5.26
STATUS QUEStionable:LIMit<1 2> Register	5.27
STATUS QUEStionable:LMARgin<1 2> Register	5.28
STATUS QUEStionable:POWEr Register	5.29

STATus-QUEStionable:SYNC Register	5.30
Application of the Status Reporting Systems.....	5.31
Service Request, Making Use of the Hierarchy Structure	5.31
Serial Poll	5.31
Parallel Poll.....	5.32
Query by Means of Commands.....	5.32
Error-Queue Query.....	5.32
Resetting Values of the Status Reporting System.....	5.33

5 Remote Control - Basics

In this chapter you'll find:

- instructions on how to put the FSP into operation via remote control,
- a general introduction to remote control of programmable instruments. This includes the description of the command structure and syntax according to the SCPI standard, the description of command execution and of the status registers,
- diagrams and tables describing the status registers used in the FSP.

In chapter 6, all remote control functions are described in detail. The subsystems are listed by alphabetical order according to SCPI. All commands and their parameters are listed by alphabetical order in the command list at the end of chapter 6.

Program examples for the FSP can be found in chapter 7.

The remote control interfaces and their interface functions are described in Chapter 8.

Introduction

The instrument is equipped with an IEC-bus interface according to standard IEC 625.1/IEEE 488.2 and a RS-232 interface. The connectors are located at the rear of the instrument and permit to connect a controller for remote control. In addition, the instrument can be remotely controlled in a local area network (LAN interface) if option B16 is installed.

The instrument supports the SCPI:version 1997.0 (Standard Commands for Programmable Instruments). The SCPI standard is based on standard IEEE 488.2 and aims at the standardization of device-specific commands, error handling and the status registers (see Section "SCPI Introduction").

The tutorial "Automatic Measurement Control – A tutorial on SCPI and IEEE 488.2" from John M. Pieper (R&S order number 0002.3536.00) offers detailed information on concepts and definitions of SCPI. For remote control in a network, information will be found in the relevant section, "Remote Control in a Network (RSIB Interface)".

This section assumes basic knowledge of IEC/IEEE bus programming and operation of the controller. A description of the interface commands can be obtained from the relevant manuals.

The requirements of the SCPI standard placed on command syntax, error handling and configuration of the status registers are explained in detail in the following sections. Tables provide a fast overview of the bit assignment in the status registers. The tables are supplemented by a comprehensive description of the status registers.

The program examples for IEC-bus programming are all written in VISUAL BASIC.

Getting Started

The short and simple operating sequence given below permits fast putting into operation of the instrument and setting of its basic functions. As a prerequisite, the IEC/IEEE-bus address, which is factory-set to 20, must not have been changed.

1. Connect instrument and controller using IEC/IEEE-bus cable.
2. Write and start the following program on the controller:

```
CALL IBFIND("DEV1", analyzer%)           'Open port to the instrument
CALL IBPAD(analyzer%, 20)                 'Inform controller about instrument address
CALL IBWRT(analyzer%, '*RST;*CLS')       'Reset instrument

CALL IBWRT(analyzer%, 'FREQ:CENT 100MHz') ' Set center frequency to 100 MHz
CALL IBWRT(analyzer%, 'FREQ:SPAN 10MHz') ' Set span to 10 MHz
CALL IBWRT(analyzer%, 'DISP:TRAC:Y:RLEV -10dBm') ' Set reference level to -10 dBm
```

The instrument now performs a sweep in the frequency range of 95 MHz to 105 MHz .

3. To return to manual control, press the *LOCAL* key at the front panel

Starting Remote Control Operation

On power-on, the instrument is always in the manual operating state ("LOCAL" state) and can be operated via the front panel.

It is switched to remote control ("REMOTE" state)

IEC/IEEE-bus as soon as it receives an addressed command from a controller.

if it is controlled in a network (RSIB interface), as soon as it receives a command from a controller.

RS-232 as soon as it receives the command "@REM" from a controller.

During remote control, operation via the front panel is disabled. The instrument remains in the remote state until it is reset to the manual state via the front panel or via remote control interfaces. Switching from manual operation to remote control and vice versa does not affect the remaining instrument settings.

Display Contents during Remote Control

During remote control, only the LOCAL softkey appears, with which it is possible to return to manual operation.

In addition, the display of diagrams and results can be blanked out with the command "SYSTem:DISPlay:UPDate OFF" (default in remote control) to obtain optimum performance during remote control operation.

During program execution it is recommended to activate the display of results by means of "SYSTem:DISPlay:UPDate ON" so that it is possible to follow the changes in the device settings and the recorded measurement curves on the screen.

Note: *If the instrument is exclusively operated in remote control, it is recommended to switch on the power-save mode (POWER SAVE). In this mode, the required display is completely switched off after a preset time.*

Remote Control via IEC/IEEE Bus

Setting the Device Address

In order to operate the instrument via the IEC-bus, it must be addressed using the set IEC/IEEE bus address. The IEC/IEEE bus address of the instrument is factory-set to 20. It can be changed manually in the *SETUP - GENERAL SETUP* menu or via IEC bus. Addresses 0 to 30 are permissible.

Manually:

- Call *SETUP - GENERAL SETUP* menu
- Enter desired address in table *GPIB-ADDRESS*
- Terminate input using the *ENTER* key

Via IEC/IEEE bus:

CALL IBFIND("DEV1", analyzer%)	'Open port to the instrument
CALL IBPAD(analyzer%, 20)	'Inform controller about old address
CALL IBWRT(analyzer%, "SYST:COMM:GPIB:ADDR 18")	'Set instrument to new address
CALL IBPAD(analyzer%, 18)	'Inform controller about new address

Return to Manual Operation

Return to manual operation is possible via the front panel or the IEC/IEEE bus.

Manually:

- Press the *LOCAL* softkey or the *PRESET* key

- Notes:**
- Before the transition, command processing must be completed as otherwise transition to remote control is performed immediately.
 - The keys can be disabled by the universal command *LLO* (see Chapter 8, *IEC/IEEE-Bus Interface – Interface Messages*) in order to prevent unintentional transition. In this case, transition to manual mode is only possible via the IEC/IEEE bus.
 - The keys can be enabled again by deactivating the *REN* line of the IEC/IEEE bus (see Chapter 8, *IEC/IEEE-Bus Interface – Bus Lines*).

Via IEC bus:

...	
CALL IBLOC(analyzer%)	'Set instrument to manual operation
...	

Remote Control via RS-232-Interface

Setting the Transmission Parameters

To enable an error-free and correct data transmission, the parameters of the unit and the controller should have the same setting.

Parameters can be manually changed in menu *SETUP-GENERAL SETUP* in table *COM PORT* or via remote control using the command `SYSTEM:COMMunicate:SERial:....`.

The transmission parameters of the COM interface are factory-set to the following values:

baudrate = 9600, data bits = 8, stop bits = 1, parity = NONE and owner = INSTRUMENT.

For remote control operation, the interface should be allocated to the operating system (owner = OS) so that the control characters including @ can be recognized by the interface.

Manually:

Setting the COM interface

- Call *SETUP-GENERAL SETUP* menu
- Select desired baudrate, bits, stopbit, parity in table *COM PORT*.
- Set owner to OS in table *COM PORT*.
- Terminate input using the *ENTER* key.

Return to Manual Operation

Return to manual operation is possible via the front panel or via RS-232 interface.

Manually:

- Press the *LOCAL* softkey or the *PRESET* key.

Notes:

- Before the transition, command processing must be completed as otherwise transition to remote control is performed immediately
- The keys can be enabled again by sending the control string "@LOC" via RS-232 (see Chapter 8, S-232-C Interface - Control Commands).

Via RS-232:

```
...
v24puts(port, "@LOC");    Set instrument to manual operation..
...
```

Limitations

The following limitations apply if the unit is remote-controlled via the RS-232-C interface:

- No interface messages, only control strings (see interface description in Chapter 8, *RS-232-C Interface – Control Commands*).
- Only the Common Commands *OPC? can be used for command synchronization, *WAI and *OPC are not available.
- Block data cannot be transmitted.

Remote Control in a Network (RSIB Interface)

Setting the Device Address

For control of the instrument in a network, it must be accessed using the preselected IP address. The IP address of the instrument (device address) is defined in the network configuration.

Setting the IP address:

- Call *SETUP - GENERAL SETUP* – CONFIGURE NETWORK menu.
- Select "Protocols" tab.
- Set IP address for TCP/IP protocol under "Properties" (see section on option FSP-B16).

Return to Manual Operation

Return to manual operation can be made manually via the front panel or remotely via the RSIB interface.

Manually: ➤ Press *LOCAL* softkey or *PRESET* key.

Note:

- *Make sure that the execution of commands is completed prior to switchover since otherwise the instrument will switch back to remote control immediately.*

Via RSIB interface:

```
...  
CALL RSDLLibloc(analyzer%, ibsta%, iberr%, ibcntl&)'Set  
device to manual control  
...
```


Messages

The messages transferred via the data lines of the IEC bus (see Chapter 8, IEC/IEEE-Bus Interface) can be divided into two groups:

- **interface messages and**
- **device messages.**

IEC/IEEE-Bus Interface Messages

Interface messages are transferred on the data lines of the IEC bus, the "ATN" control line being active. They are used for communication between controller and instrument and can only be sent by a controller which has the IEC/IEEE bus control. Interface commands can be subdivided into

- **universal commands and**
- **addressed commands.**

Universal commands act on all devices connected to the IEC/IEEE bus without previous addressing, addressed commands only act on devices previously addressed as listeners. The interface messages relevant to the instrument are listed in Chapter 8, IEC/IEEE-Bus Interface – Interface Functions.

Device Messages (Commands and Device Responses)

Device messages are transferred on the data lines of the IEC bus, the "ATN" control line not being active. ASCII code is used.

A distinction is made according to the direction in which they are sent on the IEC/IEEE bus:

- **Commands** are messages the controller sends to the instrument. They operate the device functions and request informations.
The commands are subdivided according to two criteria:
 1. According to the effect they have on the instrument:
 - Setting commands** cause instrument settings such as reset of the instrument or setting the center frequency.
 - Queries** cause data to be provided for output on the IEC/IEEE bus, e.g. for identification of the device or polling the marker.
 2. According to their definition in standard IEEE 488.2:
 - Common Commands** are exactly defined as to their function and notation in standard IEEE 488.2. They refer to functions such as management of the standardized status registers, reset and selftest.
 - Device-specific commands** refer to functions depending on the features of the instrument such as frequency setting. A majority of these commands has also been standardized by the SCPI committee (cf. Section "SCPI Introduction").
- **Device responses** are messages the instrument sends to the controller after a query. They can contain measurement results, instrument settings and information on the instrument status (cf. Section "Responses to Queries").

Structure and syntax of the device messages are described in the following Section.

Structure and Syntax of the Device Messages

SCPI Introduction

SCPI (Standard Commands for Programmable Instruments) describes a standard command set for programming instruments, irrespective of the type of instrument or manufacturer. The goal of the SCPI consortium is to standardize the device-specific commands to a large extent. For this purpose, a model was developed which defines the same functions inside a device or for different devices. Command systems were generated which are assigned to these functions. Thus it is possible to address the same functions with identical commands. The command systems are of a hierarchical structure.

Fig. 5-1 illustrates this tree structure using a section of command system SENSE, which controls the device-specific settings, that do not refer to the signal characteristics of the measurement signal.

SCPI is based on standard IEEE 488.2, i.e. it uses the same syntactic basic elements as well as the common commands defined in this standard. Part of the syntax of the device responses is defined with greater restrictions than in standard IEEE 488.2 (see Section "Responses to Queries").

Structure of a Command

The commands consist of a so-called header and, in most cases, one or more parameters. Header and parameter are separated by a "white space" (ASCII code 0 to 9, 11 to 32 decimal, e.g. blank). The headers may consist of several key words. Queries are formed by directly appending a question mark to the header.

Note: *The commands used in the following examples are not in every case implemented in the instrument.*

Common commands

Common commands consist of a header preceded by an asterisk "*" and one or several parameters, if any.

Examples: *RST RESET, resets the device
 *ESE 253 EVENT STATUS ENABLE, sets the bits of
 the event status enable register
 *ESR? EVENT STATUS QUERY, queries the
 contents of the event status register.

Device-specific commands

Hierarchy: Device-specific commands are of hierarchical structure (see Fig. 5-1). The different levels are represented by combined headers. Headers of the highest level (root level) have only one key word. This key word denotes a complete command system.

Example: `SENSe` This key word denotes the command system `SENSe`.

For commands of lower levels, the complete path has to be specified, starting on the left with the highest level, the individual key words being separated by a colon ":".

Example: `SENSe:FREQuency:SPAN 10MHZ`

This command lies in the third level of the `SENSe` system. It set the frequency span.

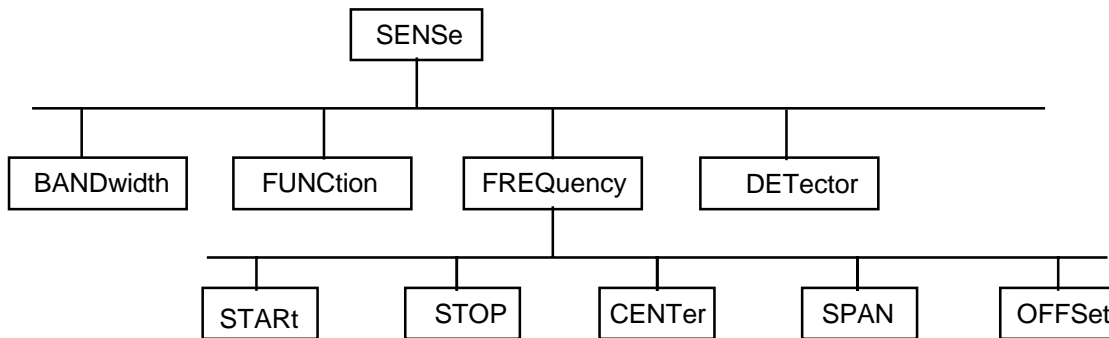


Fig. 5-1 Tree structure the SCPI command systems using the `SENSe` system by way of example

Some key words occur in several levels within one command system. Their effect depends on the structure of the command, that is to say, at which position in the header of a command they are inserted.

Example: `SOURce:FM:POLarity NORMal`

This command contains key word `POLarity` in the third command level. It defines the polarity between modulator and modulation signal.

`SOURce:FM:EXTernal:POLarity NORMal`

This command contains key word `POLarity` in the fourth command level. It defines the polarity between modulation voltage and the resulting direction of the modulation only for the external signal source indicated.

Optional key words: Some command systems permit certain key words to be optionally inserted into the header or omitted. These key words are marked by square brackets in the description. The full command length must be recognized by the instrument for reasons of compatibility with the SCPI standard. Some commands are considerably shortened by these optional key words.

Example: [SENSe]:BANDwidth[:RESolution]:AUTO

This command couples the resolution bandwidth of the instrument to other parameters. The following command has the same effect:

BANDwidth:AUTO

Note: *An optional key word must not be omitted if its effect is specified in detail by a numeric suffix.*

Long and short form: The key words feature a long form and a short form. Either the short form or the long form can be entered, other abbreviations are not permissible.

Beispiel: STATus:QUESTionable:ENABle 1= STAT:QUES:ENAB 1

Note: *The short form is marked by upper-case letters, the long form corresponds to the complete word. Upper-case and lower-case notation only serve the above purpose, the instrument itself does not make any difference between upper-case and lower-case letters.*

Parameter: The parameter must be separated from the header by a "white space". If several parameters are specified in a command, they are separated by a comma ",". A few queries permit the parameters MINimum, MAXimum and DEFault to be entered. For a description of the types of parameter, refer to Section "Parameters".

Example: SENSe:FREQuency:STOP? MAXimum Response: 3.5E9
This query requests the maximal value for the stop frequency.

Numeric suffix: If a device features several functions or features of the same kind, e.g. inputs, the desired function can be selected by a suffix added to the command. Entries without suffix are interpreted like entries with the suffix 1.

Example: SYSTem:COMMunicate:SERial2:BAUD 9600

This command sets the baudrate of a second serial interface.

Structure of a Command Line

A command line may consist of one or several commands. It is terminated by a <New Line>, a <New Line> with EOI or an EOI together with the last data byte. The IEC/IEEE driver of the controller usually produces automatically an EOI together with the last data byte.

Several commands in a command line are separated by a semicolon ";". If the next command belongs to a different command system, the semicolon is followed by a colon.

Example:

```
CALL IBWRT(analyzer%, "SENSe:FREQuency:CENTer 100MHz;:INPut:ATTenuation 10")
```

This command line contains two commands. The first one is part of the SENSE command system and is used to determine the center frequency of the instrument. The second one is part of the INPUT command system and sets the input signal attenuation.

If the successive commands belong to the same system, having one or several levels in common, the command line can be abbreviated. For that purpose, the second command after the semicolon starts with the level that lies below the common levels (see also Fig. 5-1). The colon following the semicolon must be omitted in this case.

Example:

```
CALL IBWRT(analyzer%, "SENSe:FREQuency:START 1E6;:SENSe:FREQuency:STOP 1E9")
```

This command line is represented in its full length and contains two commands separated from each other by the semicolon. Both commands are part of the SENSE command system, subsystem FREQUENCY, i.e. they have two common levels.

When abbreviating the command line, the second command begins with the level below SENSE:FREQUENCY. The colon after the semicolon is omitted.

The abbreviated form of the command line reads as follows:

```
CALL IBWRT(analyzer%, "SENSe:FREQuency:START 1E6;STOP 1E9")
```

However, a new command line always begins with the complete path.

Example: `CALL IBWRT(analyzer, "SENSe:FREQuency:START 1E6")`
`CALL IBWRT(analyzer%, "SENSe:FREQuency:STOP 1E9")`

Responses to Queries

A query is defined for each setting command unless explicitly specified otherwise. It is formed by adding a question mark to the associated setting command. According to SCPI, the responses to queries are partly subject to stricter rules than in standard IEEE 488.2.

- 1 The requested parameter is transmitted without header.

Example: `INPut:COUPling?` Response: DC

2. Maximum values, minimum values and all further quantities, which are requested via a special text parameter are returned as numerical values.

Example: `SENSe:FREQuency:STOP? MAX` Response: 3.5E9

3. Numerical values are output without a unit. Physical quantities are referred to the basic units or to the units set using the Unit command.

Example: `SENSe:FREQuency:CENTer?` Response: 1E6 for 1 MHz

4. Truth values <Boolean values> are returned as 0 (for OFF) and 1 (for ON).

Example: `SENSe:BANDwidth:AUTO?` Response: 1 for ON

5. Text (character data) is returned in a short form (see also Section 3.5.5).

Example: `SYSTem:COMMunicate:SERial:CONTRol:RTS?` Response(for standard): STAN

Parameters

Most commands require a parameter to be specified. The parameters must be separated from the header by a "white space". Permissible parameters are numerical values, Boolean parameters, text, character strings and block data. The type of parameter required for the respective command and the permissible range of values are specified in the command description

Numerical values Numerical values can be entered in any form, i.e. with sign, decimal point and exponent. Values exceeding the resolution of the instrument are rounded up or down. The mantissa may comprise up to 255 characters, the exponent must lie inside the value range -32000 to 32000. The exponent is introduced by an "E" or "e". Entry of the exponent alone is not permissible. In the case of physical quantities, the unit can be entered. Permissible unit prefixes are G (giga), MA (mega), MOHM and MHZ are also permissible), K (kilo), M (milli), U (micro) and N (nano). If the unit is missing, the basic unit is used.

Example:

```
SENSe:FREQuency:STOP 1.5GHz = SENSe:FREQuency:STOP 1.5E9
```

Special numerical The texts MINimum, MAXimum, DEFault, UP and DOWN are interpreted as special numerical values.

In the case of a query, the numerical value is provided.

Example: Setting command: `SENSe:FREQuency:STOP MAXimum`

Query: `SENSe:FREQuency:STOP?` Response: `3.5E9`

MIN/MAX MINimum and MAXimum denote the minimum and maximum value.

DEF DEFault denotes a preset value which has been stored in the EPROM. This value conforms to the default setting, as it is called by the *RST command

UP/DOWN UP, DOWN increases or reduces the numerical value by one step. The step width can be specified via an allocated step command (see annex C, List of Commands) for each parameter which can be set via UP, DOWN.

INF/NINF INFINITY, Negative INFINITY (NINF) Negative INFINITY (NINF) represent the numerical values -9.9E37 or 9.9E37, respectively. INF and NINF are only sent as device responses.

NAN Not A Number (NAN) represents the value 9.91E37. NAN is only sent as device response. This value is not defined. Possible causes are the division of zero by zero, the subtraction of infinite from infinite and the representation of missing values.

Boolean Parameters Boolean parameters represent two states. The ON state (logically true) is represented by ON or a numerical value unequal to 0. The OFF state (logically untrue) is represented by OFF or the numerical value 0. 0 or 1 is provided in a query.

Example: Setting command: `DISPlay:WINDow:STATe ON`

Query: `DISPlay:WINDow:STATe?` Response: `1`

Text Text parameters observe the syntactic rules for key words, i.e. they can be entered using a short or long form. Like any parameter, they have to be separated from the header by a white space. In the case of a query, the short form of the text is provided.

Example: Setting command: `INPut:COUPling GROund`
 Query: `INPut:COUPling?` Response `GRO`

Strings Strings must always be entered in quotation marks (' or ").

Example: `SYSTem:LANGUage "SCPI"` or
`SYSTem:LANGUage 'SCPI'`

Block data Block data are a transmission format which is suitable for the transmission of large amounts of data. A command using a block data parameter has the following structure:

Example: `HEADer:HEADer #45168xxxxxxxx`

ASCII character # introduces the data block. The next number indicates how many of the following digits describe the length of the data block. In the example the 4 following digits indicate the length to be 5168 bytes. The data bytes follow. During the transmission of these data bytes all End or other control signs are ignored until all bytes are transmitted.

Overview of Syntax Elements

The following survey offers an overview of the syntax elements.

- :** The colon separates the key words of a command. In a command line the colon after the separating semicolon marks the uppermost command level.
- ;** The semicolon separates two commands of a command line. It does not alter the path.
- ,** The comma separates several parameters of a command.
- ?** The question mark forms a query.
- *** The asterix marks a common command.
- "** Quotation marks introduce a string and terminate it.
- #** The double dagger (#) introduces block data
- A "white space (ASCII-Code 0 to 9, 11 to 32 decimal, e.g.blank) separates header and parameter.

Instrument Model and Command Processing

The instrument model shown in Fig. 5-2 has been made viewed from the standpoint of the servicing of IEC-bus commands. The individual components work independently of each other and simultaneously. They communicate by means of so-called "messages".

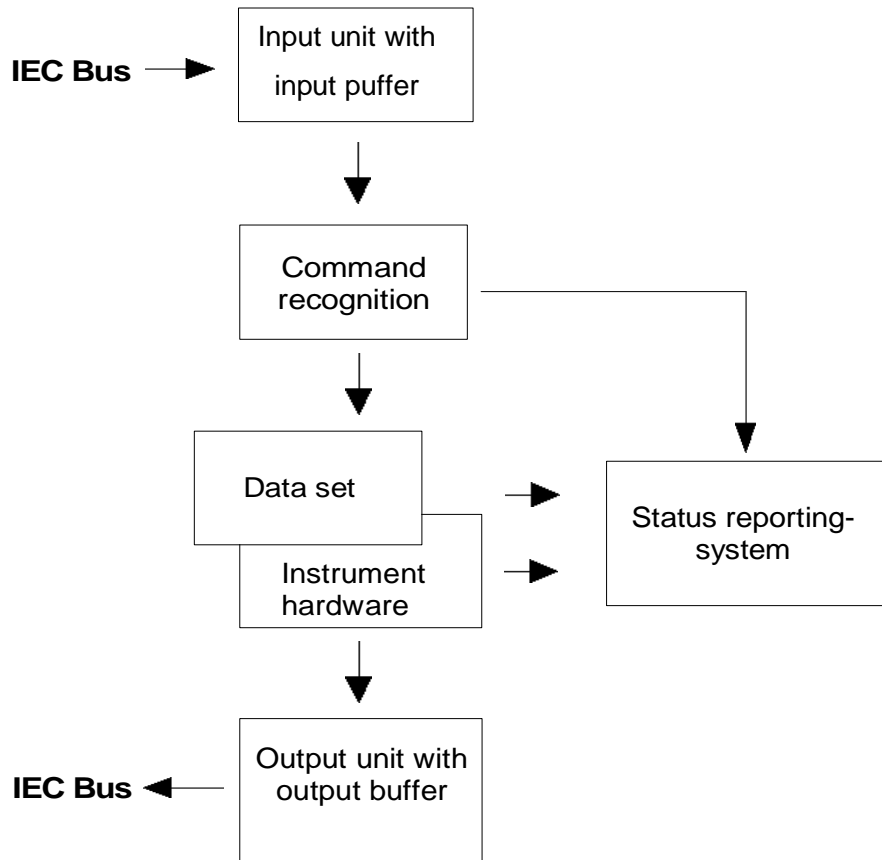


Fig. 5-2 Instrument model in the case of remote control by means of the IEC bus

Input Unit

The input unit receives commands character by character from the IEC bus and collects them in the input buffer. The input unit sends a message to the command recognition as soon as the input buffer is full or as soon as it receives a delimiter, <PROGRAM MESSAGE TERMINATOR>, as defined in IEEE 488.2, or the interface message DCL.

If the input buffer is full, the IEC-bus traffic is stopped and the data received up to then are processed. Subsequently the IEC-bus traffic is continued. If, however, the buffer is not yet full when receiving the delimiter, the input unit can already receive the next command during command recognition and execution. The receipt of a DCL clears the input buffer and immediately initiates a message to the command recognition.

Command Recognition

The command recognition analyses the data received from the input unit. It proceeds in the order in which it receives the data. Only a DCL is serviced with priority, a GET (Group Execute Trigger), e.g., is only executed after the commands received before as well. Each recognized command is immediately transferred to the instrument data base but without being executed there at once.

Syntactical errors in the command are recognized in the command recognition and supplied to the status reporting system. The rest of a command line after a syntax error is analysed further if possible and serviced.

If the command recognition recognizes a delimiter (<PROGRAM MESSAGE SEPARATOR> or <PROGRAM MESSAGE TERMINATOR>) or a DCL, it requests the instrument data base to set the commands in the instrument hardware as well now. Subsequently it is immediately prepared to process commands again. This means for the command servicing that further commands can already be serviced while the hardware is still being set ("overlapping execution").

Instrument Data Base and Instrument Hardware

Here the expression "instrument hardware" denotes the part of the instrument fulfilling the actual instrument function - signal generation, measurement etc. The controller is not included.

The instrument data base is a detailed reproduction of the instrument hardware in the software.

IEC-bus setting commands lead to an alteration in the data set. The data base management enters the new values (e.g. frequency) into the data base, however, only passes them on to the hardware when requested by the command recognition.

The data are only checked for their compatibility among each other and with the instrument hardware immediately before they are transmitted to the instrument hardware. If the detection is made that an execution is not possible, an "execution error" is signalled to the status reporting system. The alteration of the data base are cancelled, the instrument hardware is not reset.

IEC-bus queries induce the data base management to send the desired data to the output unit.

Status Reporting System

The status reporting system collects information on the instrument state and makes it available to the output unit on request. The exact structure and function are described in Section 3.8

Output Unit

The output unit collects the information requested by the controller, which it receives from the data base management. It processes it according to the SCPI rules and makes it available in the output buffer. If the instrument is addressed as a talker without the output buffer containing data or awaiting data from the data base management, the output unit sends error message "Query UNTERMINATED" to the status reporting system. No data are sent on the IEC bus, the controller waits until it has reached its time limit. This behaviour is specified by SCPI.

Command Sequence and Command Synchronization

What has been said above makes clear that all commands can potentially be carried out overlapping.

In order to prevent an overlapping execution of commands, one of commands *OPC, *OPC? or *WAI must be used. All three commands cause a certain action only to be carried out after the hardware has been set and has settled. By a suitable programming, the controller can be forced to wait for the respective action to occur (cf. Table 5-1).

Table 5-1 Synchronisation using *OPC, *OPC? and *WAI

Command	Action after the hardware has settled	Programming the controller
*OPC	Setting the operation-complete bit in the ESR	- Setting bit 0 in the ESE - Setting bit 5 in the SRE - Waiting for service request (SRQ)
*OPC?	Writing a "1" into the output buffer	Addressing the instrument as a talker
*WAI	Continuing the IEC-bus handshake	Sending the next command

An example as to command synchronization can be found in Chapter "Program Examples".

For a couple of commands the synchronization to the end of command execution is mandatory in order to obtain the desired result. The affected commands require either more than one measurement in order to accomplish the desired instrument setting (eg autorange functions), or they require a longer period of time for execution. If a new command is received during execution of the corresponding function this may either lead to either to an aborted measurement or to invalid measurement data.

The following list includes the commands, for which a synchronization via *OPC, *OPC? or *WAI is mandatory:

Table 5-1 Commands with mandatory synchronization (Overlapping Commands)

Command	Purpose
INIT	start measurement
INIT:CONM	continue measurement
CALC:MARK:FUNC:ZOOM	zoom frequency range around marker 1
CALC:STAT:SCAL:AUTO ONCE	optimize level settings for signal statistic measurement functions
[SENS:]POW:ACH:PRES:RLEV	optimize level settings for adjacent channel power measurements

Status Reporting System

The status reporting system (cf. Fig. 5-4) stores all information on the present operating state of the instrument, e.g. that the instrument presently carries out a calibration and on errors which have occurred. This information is stored in the status registers and in the error queue. The status registers and the error queue can be queried via IEC bus.

The information is of a hierarchical structure. The register status byte (STB) defined in IEEE 488.2 and its associated mask register service request enable (SRE) form the uppermost level. The STB receives its information from the standard event status register (ESR) which is also defined in IEEE 488.2 with the associated mask register standard event status enable (ESE) and registers STATUS:OPERation and STATUS:QUESTionable which are defined by SCPI and contain detailed information on the instrument.

The IST flag ("Individual STATUS") and the parallel poll enable register (PPE) allocated to it are also part of the status reporting system. The IST flag, like the SRQ, combines the entire instrument status in a single bit. The PPE fulfills the same function for the IST flag as the SRE for the service request.

The output buffer contains the messages the instrument returns to the controller. It is not part of the status reporting system but determines the value of the MAV bit in the STB and thus is represented in Fig. 5-4.

Structure of an SCPI Status Register

Each SCPI register consists of 5 parts which each have a width of 16 bits and have different functions (cf. Fig. 5-3). The individual bits are independent of each other, i.e. each hardware status is assigned a bit number which is valid for all five parts. For example, bit 3 of the STATUS:OPERation register is assigned to the hardware status "wait for trigger" in all five parts. Bit 15 (the most significant bit) is set to zero for all parts. Thus the contents of the register parts can be processed by the controller as positive integer.

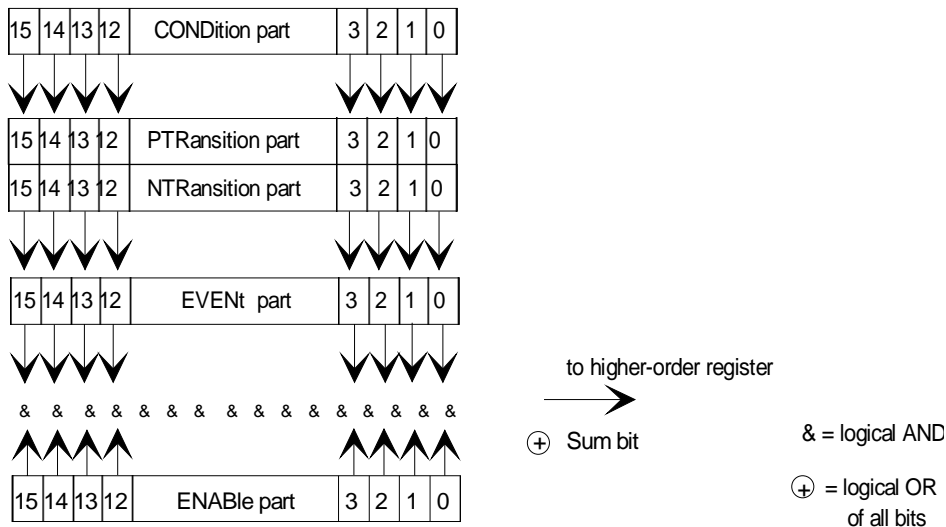


Fig. 5-3 The status-register model

CONDition part	The CONDition part is directly written into by the hardware or the sum bit of the next lower register. Its contents reflects the current instrument status. This register part can only be read, but not written into or cleared. Its contents is not affected by reading.
PTRansition part	The Positive-TRansition part acts as an edge detector. When a bit of the CONDition part is changed from 0 to 1, the associated PTR bit decides whether the EVENT bit is set to 1. PTR bit =1: the EVENT bit is set. PTR bit =0: the EVENT bit is not set. This part can be written into and read at will. Its contents is not affected by reading.
NTRansition part	The Negative-TRansition part also acts as an edge detector. When a bit of the CONDition part is changed from 1 to 0, the associated NTR bit decides whether the EVENT bit is set to 1. NTR-Bit = 1: the EVENT bit is set. NTR-Bit = 0: the EVENT bit is not set. This part can be written into and read at will. Its contents is not affected by reading. With these two edge register parts the user can define which state transition of the condition part (none, 0 to 1, 1 to 0 or both) is stored in the EVENT part.
EVENT part	The EVENT part indicates whether an event has occurred since the last reading, it is the "memory" of the condition part. It only indicates events passed on by the edge filters. It is permanently updated by the instrument. This part can only be read by the user. During reading, its contents is set to zero. In linguistic usage this part is often equated with the entire register.
ENABLE part	The ENABLE part determines whether the associated EVENT bit contributes to the sum bit (cf. below). Each bit of the EVENT part is ANDed with the associated ENABLE bit (symbol '&'). The results of all logical operations of this part are passed on to the sum bit via an OR function (symbol '+'). ENABLE-Bit = 0: the associated EVENT bit does not contribute to the sum bit ENABLE-Bit = 1: if the associated EVENT bit is "1", the sum bit is set to "1" as well. This part can be written into and read by the user at will. Its contents is not affected by reading.
Sum bit	As indicated above, the sum bit is obtained from the EVENT and ENABLE part for each register. The result is then entered into a bit of the CONDition part of the higher-order register. The instrument automatically generates the sum bit for each register. Thus an event, e.g. a PLL that has not locked, can lead to a service request throughout all levels of the hierarchy.
Note:	<i>The service request enable register SRE defined in IEEE 488.2 can be taken as ENABLE part of the STB if the STB is structured according to SCPI. By analogy, the ESE can be taken as the ENABLE part of the ESR.</i>

Overview of the Status Registers

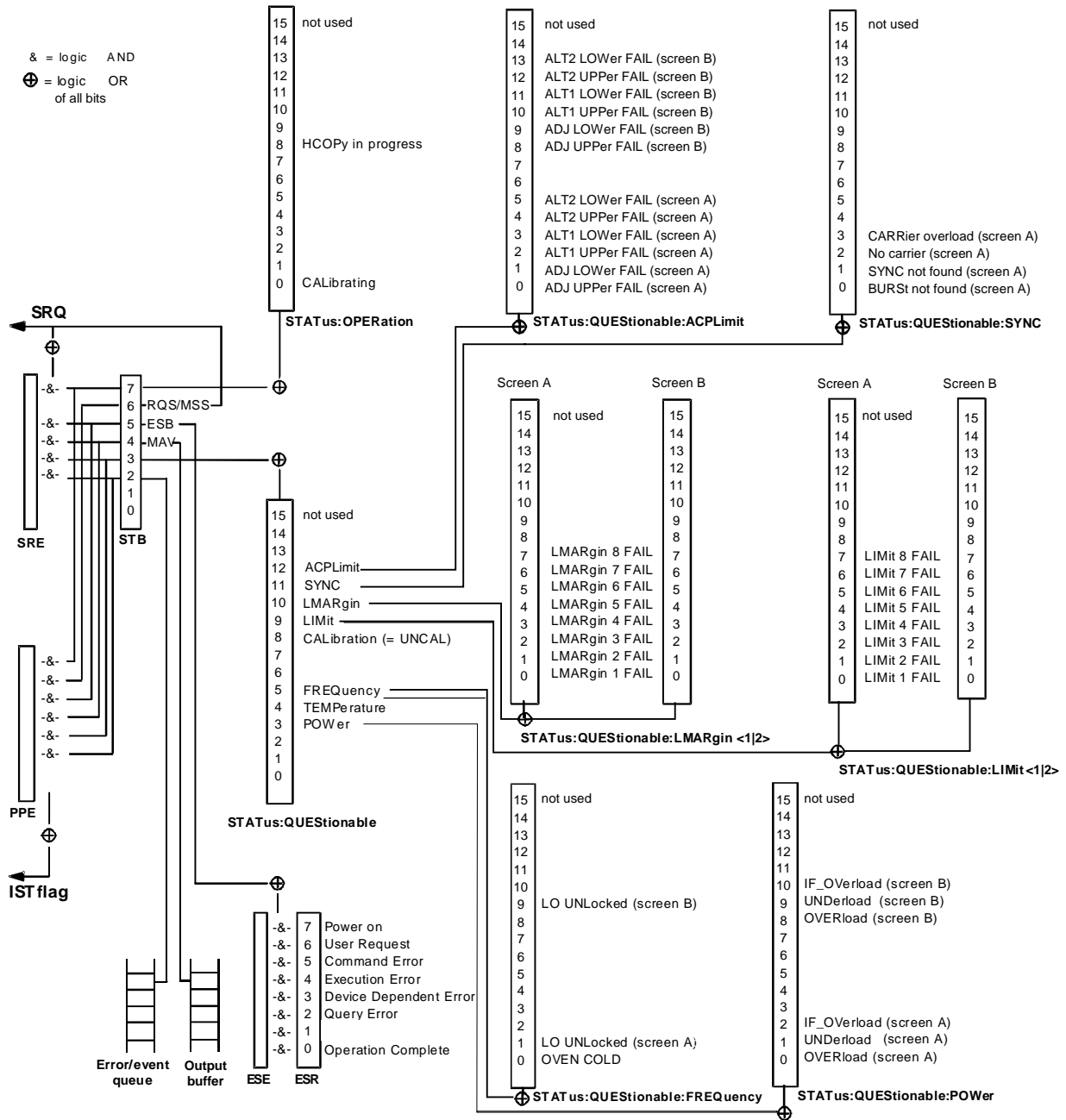


Fig. 5-4 Overview of the status registers

Description of the Status Registers

Status Byte (STB) and Service Request Enable Register (SRE)

The STB is already defined in IEEE 488.2. It provides a rough overview of the instrument status by collecting the pieces of information of the lower registers. It can thus be compared with the CONDition part of an SCPI register and assumes the highest level within the SCPI hierarchy. A special feature is that bit 6 acts as the sum bit of the remaining bits of the status byte.

The STATUS BYTE is read out using the command "***STB?**" or a serial poll.

The STB implies the SRE. It corresponds to the ENABLE part of the SCPI registers as to its function. Each bit of the STB is assigned a bit in the SRE. Bit 6 of the SRE is ignored. If a bit is set in the SRE and the associated bit in the STB changes from 0 to 1, a Service Request (SRQ) is generated on the IEC bus, which triggers an interrupt in the controller if this is appropriately configured and can be further processed there.

The SRE can be set using command "***SRE**" and read using "***SRE?**".

Table 5-2 Meaning of the bits in the status byte

Bit No.	Meaning
2	<p>Error Queue not empty</p> <p>The bit is set when an entry is made in the error queue. If this bit is enabled by the SRE, each entry of the error queue generates a Service Request. Thus an error can be recognized and specified in greater detail by polling the error queue. The poll provides an informative error message. This procedure is to be recommended since it considerably reduces the problems involved with IEC-bus control.</p>
3	<p>QUESTIONable status sum bit</p> <p>The bit is set if an EVENT bit is set in the QUESTIONable: status register and the associated ENABLE bit is set to 1. A set bit indicates a questionable instrument status, which can be specified in greater detail by polling the QUESTIONable status register.</p>
4	<p>MAV bit (message available)</p> <p>The bit is set if a message is available in the output buffer which can be read. This bit can be used to enable data to be automatically read from the instrument to the controller (cf. Chapter 7, program examples).</p>
5	<p>ESB bit</p> <p>Sum bit of the event status register. It is set if one of the bits in the event status register is set and enabled in the event status enable register. Setting of this bit implies an error or an event which can be specified in greater detail by polling the event status register.</p>
6	<p>MSS bit (master status summary bit)</p> <p>The bit is set if the instrument triggers a service request. This is the case if one of the other bits of this registers is set together with its mask bit in the service request enable register SRE.</p>
7	<p>OPERation status register sum bit</p> <p>The bit is set if an EVENT bit is set in the OPERation-Status register and the associated ENABLE bit is set to 1. A set bit indicates that the instrument is just performing an action. The type of action can be determined by polling the OPERation-status register.</p>

IST Flag and Parallel Poll Enable Register (PPE)

By analogy with the SRQ, the IST flag combines the entire status information in a single bit. It can be queried by means of a parallel poll (cf. Section 3.8.4.3) or using command `"*IST?"`.

The parallel poll enable register (PPE) determines which bits of the STB contribute to the IST flag. The bits of the STB are ANDed with the corresponding bits of the PPE, with bit 6 being used as well in contrast to the SRE. The Ist flag results from the ORing of all results. The PPE can be set using commands `"*PRE"` and read using command `"*PRE?"`.

Event-Status Register (ESR) and Event-Status-Enable Register (ESE)

The ESR is already defined in IEEE 488.2. It can be compared with the EVENT part of an SCPI register. The event status register can be read out using command `"*ESR?"`.

The ESE is the associated ENABLE part. It can be set using command `"*ESE"` and read using command `"*ESE?"`.

Table 5-3 Meaning of the bits in the event status register

Bit No.	Meaning
0	Operation Complete This bit is set on receipt of the command <code>*OPC</code> exactly when all previous commands have been executed.
1	This bit is not used
2	Query Error This bit is set if either the controller wants to read data from the instrument without having send a query, or if it does not fetch requested data and sends new instructions to the instrument instead. The cause is often a query which is faulty and hence cannot be executed.
3	Device-dependent Error This bit is set if a device-dependent error occurs. An error message with a number between -300 and -399 or a positive error number, which denotes the error in greater detail, is entered into the error queue (cf. Chapter 9, Error Messages).
4	Execution Error This bit is set if a received command is syntactically correct, however, cannot be performed for other reasons. An error message with a number between -200 and -300, which denotes the error in greater detail, is entered into the error queue (cf. Chapter 9, Error Messages).
5	Command Error This bit is set if a command which is undefined or syntactically incorrect is received. An error message with a number between -100 and -200, which denotes the error in greater detail, is entered into the error queue (cf. Chapter 9 "Error Messages").
6	User Request This bit is set on pressing the <i>LOCAL</i> key.
7	Power On (supply voltage on) This bit is set on switching on the instrument.

STATus:OPERation Register

In the CONDition part, this register contains information on which actions the instrument is being executing or, in the EVENt part, information on which actions the instrument has executed since the last reading. It can be read using commands "STATus:OPERation:CONDition?" or "STATus:OPERation[:EVENT]?".

Table 5-4 Meaning of the bits in the STATus.OPERation register

Bit No.	Meaning
0	CALibrating This bit is set as long as the instrument is performing a calibration.
1 to 7	These bits are not used
8	HardCOPy in progress This bit is set while the instrument is printing a hardcopy.
9 to 14	These bits are not used
15	This bit is always 0

STATus:QUEStionable Register

This register comprises information about indefinite states which may occur if the unit is operated without meeting the specifications. It can be queried by commands `STATus:QUEStionable:CONDition?` and `STATus:QUEStionable[:EVENT]?`.

Table 5-5 Meaning of bits in STATus:QUEStionable register

Bit No.	Meaning
0 to 2	These bits are not used
3	POWer This bit is set if a questionable power occurs (cf. also section "STATus:QUEStionable:POWer Register")
4	TEMPerature This bit is set if a questionable temperature occurs.
5	FREQuency The bit is set if a frequency is questionable (cf. section "STATus:QUEStionable:FREQuency Register")
6 to 7	These bits are not used
8	CALibration The bit is set if a measurement is performed uncalibrated (≙ label "UNCAL")
9	LIMit (device-specific) This bit is set if a limit value is violated (see also section STATus:QUEStionable:LIMit Register)
10	LMARgin (device-specific) This bit is set if a margin is violated (see also section STATus:QUEStionable:LMARgin Register)
11	SYNC (device-dependent) This bit is set if, in measurements or premeasurements in GSM MS mode, synchronization to midamble fails or no burst is found. This bit is also set if, in premeasurements in GSM MS mode, the result differs too strongly from the expected value (see also "STATus:QUEStionable:SYNC Register").
12	ACPLimit (device-specific) This bit is set if a limit for the adjacent channel power measurement is violated (see also section "STATus:QUEStionable:ACPLimit Register")
13 to 14	These bits are not used
15	This bit is always 0.

STATus QUEStionable:ACPLimit Register

This register comprises information about the observance of limits during adjacent power measurements. It can be queried with commands 'STATus:QUEStionable:ACPLimit:CONDition?' and 'STATus:QUEStionable:ACPLimit[:EVENT]?'

Table 5-6 Meaning of bits in STATus:QUEStionable:ACPLimit register

Bit No.	Meaning
0	ADJ UPPER FAIL(Screen A) This bit is set if in screen A. the limit is exceeded in the upper adjacent channel
1	ADJ LOWER FAIL (Screen A) This bit is set if in screen A the limit is exceeded in the lower adjacent channel.
2	ALT1 UPPER FAIL (Screen A) This bit is set if in screen A the limit is exceeded in the upper 1st alternate channel.
3	ALT1 LOWER FAIL (Screen A) This bit is set if in screen A the limit is exceeded in the lower 1st alternate channel.
4	ALT2 UPPER FAIL (Screen A) This bit is set if in screen A the limit is exceeded in the upper 2nd alternate channel.
5	ALT2 LOWER FAIL (Screen A) This bit is set if in screen A the limit is exceeded in the lower 2nd alternate channel.
6 to 7	not used
8	ADJ UPPER FAIL (Screen B) This bit is set if in screen B the limit is exceeded in the upper adjacent channel.
9	ADJ LOWER FAIL (Screen B) This bit is set if in screen B the limit is exceeded in the lower adjacent channel.
10	ALT1 UPPER FAIL (Screen B) This bit is set if in screen B the limit is exceeded in the upper 1st alternate channel.
11	ALT1 LOWER FAIL (Screen B) This bit is set if in screen B the limit is exceeded in the lower 1st alternate channel.
12	ALT2 UPPER FAIL (Screen B) This bit is set if in screen B the limit is exceeded in the upper 2nd alternate channel.
13	ALT2 LOWER FAIL (Screen B) This bit is set if in screen B the limit is exceeded in the lower 2nd alternate channel.
14	not used
15	This bit is always set to 0.

STATUS QUESTIONABLE:FREQUENCY Register

This register comprises information about the reference and local oscillator. It can be queried with commands `STATUS:QUESTIONABLE:FREQUENCY:CONDITION?` and `STATUS:QUESTIONABLE:FREQUENCY[:EVENT]?`.

Table 5-7 Meaning of bits in STATUS:QUESTIONABLE:FREQUENCY register

Bit No.	Meaning
0	OVEN COLD This bit is set if the reference oscillator has not yet attained its operating temperature. 'OCXO' will then be displayed.
1	LO UNLocked (Screen A) This bit is set if the local oscillator no longer locks. 'LOUNL' will then be displayed.
2 to 8	not used
9	LO UNLocked (Screen B) This bit is set if the local oscillator no longer locks. 'LOUNL' will then be displayed.
10 to 14	not used
15	This bit is always 0.

STATus:QUESTionable:LIMit<1|2> Register

This register comprises information about the observance of limit lines in the corresponding measurement window (LIMit 1 corresponds to Screen A, LIMit 2 to Screen B). It can be queried with commands `STATus:QUESTionable:LIMit<1|2>:CONDition?` and `STATus:QUESTionable:LIMit<1|2>[:EVENT]?`.

Table 5-8 Meaning of bits in STATus:QUESTionable:LIMit<1|2> register

Bit No.	Meaning
0	LIMit 1 FAIL This bit is set if limit line 1 is violated.
1	LIMit 2 FAIL This bit is set if limit line 2 is violated.
2	LIMit 3 FAIL This bit is set if limit line 3 is violated.
3	LIMit 4 FAIL This bit is set if limit line 4 is violated.
4	LIMit 5 FAIL This bit is set if limit line 5 is violated.
5	LIMit 6 FAIL This bit is set if limit line 6 is violated.
6	LIMit 7 FAIL This bit is set if limit line 7 is violated.
7	LIMit 8 FAIL This bit is set if limit line 8 is violated.
8 to 14	not used
15	This bit is always 0.

STATus QUEStionable:LMARgin<1|2> Register

This register comprises information about the observance of limit margins in the corresponding measurement window (LMARgin1 corresponds to Screen A, LMARgin2 corresponds to Screen B). It can be queried with commands `STATus:QUEStionable:LMARgin<1|2>:CONDition?` and `"STATus :QUEStionable:LMARgin<1|2>[:EVENT]?"`.

Table 5-9 Meaning of bits in STATus:QUEStionable:LMARgin<1|2> register

Bit No.	Meaning
0	LMARgin 1 FAIL This bit is set if limit margin 1 is violated.
1	LMARgin 2 FAIL This bit is set if limit margin 2 is violated.
2	LMARgin 3 FAIL This bit is set if limit margin 3 is violated.
3	LMARgin 4 FAIL This bit is set if limit margin 4 is violated.
4	LMARgin 5 FAIL This bit is set if limit margin 5 is violated.
5	LMARgin 6 FAIL This bit is set if limit margin 1 is violated.
6	LMARgin 7 FAIL This bit is set if limit margin 7 is violated.
7	LMARgin 8 FAIL This bit is set if limit margin 8 is violated.
8 to 14	not used
15	This bit is always 0.

STATus QUEStionable:POWer Register

This register comprises all information about possible overloads of the unit. It can be queried with commands `STATus:QUEStionable:POWer:CONDition?` and `"STATus:QUEStionable:POWer[:EVENT]?"`.

Table 5-10 Meaning of bits in STATus:QUEStionable:POWer register

Bit No.	Meaning
0	OVERload (Screen A) This bit is set if the RF input is overloaded. 'OVLD' will then be displayed.
1	UNDerload (Screen A) This bit is set if the RF input is underloaded. 'UNLD' will then be displayed.
2	IF_OVERload (Screen A) This bit is set if the IF path is overloaded. 'IFOVL' will then be displayed.
3 to 7	not used
8	OVERload (Screen B) This bit is set if the RF input is overloaded. 'OVLD' will then be displayed.
9	UNDerload (Screen B) This bit is set if the RF input is underloaded. 'UNLD' will then be displayed.
10	IF_OVERload (Screen B) This bit is set if the IF path is overloaded. 'IFOVL' will then be displayed.
11 to 14	not used
15	This bit is always 0.

STATus-QUEStionable:SYNC Register

This register is used only with GSM MS mode. It contains information about sync and bursts not found, and about premeasurement results exceeding or falling short of expected values.

The bits can be queried with commands "STATus:QUEStionable:SYNC:CONDition?" and "STATus:QUEStionable:SYNC[:EVENT]?".

Table 5-11 Meaning of bits in STATus:QUEStionable:SYNC register

Bit No.	Meaning
0	BURSt not found (screen A) This bit is set if no burst is found in the measurements/premeasurements for phase/frequency error (PFE) or carrier power versus time (PVT) in GSM MS mode. If a burst is found in these measurements/premeasurements, the bit is reset.
1	SYNC not found (screen A) This bit is set if the synchronization sequence (training sequence) of the midamble is not found in the measurements/premeasurements for phase/frequency error (PFE) or carrier power versus time (PVT) in GSM MS mode. If the synchronization sequence (training sequence) of the midamble is found in these measurements/premeasurements, the bit is reset.
2	No carrier (screen A) This bit is set if, in GSM MS mode, the level value determined in the premeasurements for carrier power versus time (PVT) and spectrum due to modulation is too low. The bit is reset at the beginning of the premeasurement (see also Chapter 2, description of the named premeasurements).
3	Carrier overload (screen A) This bit is set if, in GSM MS mode, the level value determined in the premeasurements for carrier versus time (PVT) and spectrum due to modulation is too high. The bit is reset at the beginning of the premeasurement (see also Chapter 2, description of the named premeasurements).
4-14	Not used.
15	This bit is always 0.

Application of the Status Reporting Systems

In order to be able to effectively use the status reporting system, the information contained there must be transmitted to the controller and further processed there. There are several methods which are represented in the following. Detailed program examples are to be found in chapter 7, Program Examples.

Service Request, Making Use of the Hierarchy Structure

Under certain circumstances, the instrument can send a service request (SRQ) to the controller. Usually this service request initiates an interrupt at the controller, to which the control program can react with corresponding actions. As evident from Fig. 5-4, an SRQ is always initiated if one or several of bits 2, 3, 4, 5 or 7 of the status byte are set and enabled in the SRE. Each of these bits combines the information of a further register, the error queue or the output buffer. The corresponding setting of the ENABLE parts of the status registers can achieve that arbitrary bits in an arbitrary status register initiate an SRQ. In order to make use of the possibilities of the service request, all bits should be set to "1" in enable registers SRE and ESE.

Examples (cf. Fig. 5-4 and chapter 7, Program Examples, as well):

Use of command "*OPC" to generate an SRQ at the end of a sweep.

- CALL IBWRT(analyzer%, "*ESE 1") Set bit 0 in the ESE (Operation Complete)
- CALL IBWRT(analyzer%, "*SRE 32") Set bit 5 in the SRE (ESB)?

After its settings have been completed, the instrument generates an SRQ.

The SRQ is the only possibility for the instrument to become active on its own. Each controller program should set the instrument in a way that a service request is initiated in the case of malfunction. The program should react appropriately to the service request. A detailed example for a service request routine is to be found in chapter 7, Program Examples.

Serial Poll

In a serial poll, just as with command "*STB", the status byte of an instrument is queried. However, the query is realized via interface messages and is thus clearly faster. The serial-poll method has already been defined in IEEE 488.1 and used to be the only standard possibility for different instruments to poll the status byte. The method also works with instruments which do not adhere to SCPI or IEEE 488.2.

The VISUAL BASIC command for executing a serial poll is "IBRSP()". Serial poll is mainly used to obtain a fast overview of the state of several instruments connected to the IEC bus.

Parallel Poll

In a parallel poll, up to eight instruments are simultaneously requested by the controller by means of a single command to transmit 1 bit of information each on the data lines, i.e., to set the data line allocated to each instrument to logically "0" or "1". By analogy to the SRE register which determines under which conditions an SRQ is generated, there is a parallel poll enable register (PPE) which is ANDed with the STB bit by bit as well considering bit 6. The results are ORed, the result is then sent (possibly inverted) as a response in the parallel poll of the controller. The result can also be queried without parallel poll by means of command "*IST".

The instrument first has to be set for the parallel poll using quick-BASIC command "IBPPC()". This command allocates a data line to the instrument and determines whether the response is to be inverted. The parallel poll itself is executed using "IBRPP()".

The parallel-poll method is mainly used in order to quickly find out after an SRQ which instrument has sent the service request if there are many instruments connected to the IEC bus. To this effect, SRE and PPE must be set to the same value. A detailed example as to the parallel poll is to be found in chapter 7, Program Examples.

Query by Means of Commands

Each part of every status register can be read by means of queries. The individual commands are indicated in the detailed description of the registers in Section 3.8.3. What is returned is always a number which represents the bit pattern of the register queried. Evaluating this number is effected by the controller program.

Queries are usually used after an SRQ in order to obtain more detailed information on the cause of the SRQ.

Error-Queue Query

Each error state in the instrument leads to an entry in the error queue. The entries of the error queue are detailed plain-text error messages which can be looked at in the ERROR menu via manual control or queried via the IEC bus using command "SYSTem:ERRor?". Each call of "SYSTem:ERRor?" provides an entry from the error queue. If no error messages are stored there any more, the instrument responds with 0, "No error".

The error queue should be queried after every SRQ in the controller program as the entries describe the cause of an error more precisely than the status registers. Especially in the test phase of a controller program the error queue should be queried regularly since faulty commands from the controller to the instrument are recorded there as well.

Resetting Values of the Status Reporting System

Table 5-12 comprises the different commands and events causing the status reporting system to be reset. None of the commands, except for *RST and SYSTem:PRESet influences the functional instrument settings. In particular, DCL does not change the instrument settings.

Table 5-12 Resetting instrument functions

Event	Switching on supply voltage		DCL,SDC (Device Clear, Selected Device Clear)	*RST or SYSTem:PRESet	STATus:PRESet	*CLS
	Power-On-Status-Clear					
	0	1				
Clear STB,ESR	—	yes	—	—	—	yes
Clear SRE,ESE	—	yes	—	—	—	—
Clear PPE	—	yes	—	—	—	—
Clear EVENTt parts of the registers	—	yes	—	—	—	yes
Clear Enable parts of all OPERation and QUEStionable registers, Fill Enable parts of all other registers with "1".	—	yes	—	—	yes	—
Fill PTRansition parts with "1", Clear NTRansition parts	—	yes	—	—	yes	—
Clear error queue	yes	yes	—	—	—	yes
Clear output buffer	yes	yes	yes	1)	1)	1)
Clear command processing and input buffer	yes	yes	yes	—	—	—

1) Every command being the first in a command line, i.e., immediately following a <PROGRAM MESSAGE TERMINATOR> clears the output buffer.

Contents - Chapter 6

"Remote Control - Description of Commands"

6 Remote Control - Description of Commands	6.1
Notation	6.1
Common Commands	6.4
ABORt Subsystem	6.8
CALCulate Subsystem	6.8
CALCulate:DELTamarker Subsystem	6.9
CALCulate:FEED Subsystem	6.17
CALCulate:LIMit Subsystem	6.19
CALCulate:LIMit:SPECtrum Subsystem	6.24
CALCulate:LIMit:ACPower Subsystem	6.26
CALCulate:LIMit:CONTRol Subsystem	6.37
CALCulate:LIMit:LOWer Subsystem	6.39
CALCulate:LIMit:UPPer Subsystem	6.42
CALCulate:MARKer Subsystem	6.45
CALCulate:MARKer:FUNction:ADEMod Subsystem	6.53
CALCulate:MARKer:FUNction Subsystem	6.55
CALCulate:MARKer:FUNction:POWer Subsystem	6.65
CALCulate:MARKer:FUNction:STRack Subsystem	6.70
CALCulate:MARKer:FUNction:SUMMary Subsystem	6.72
CALCulate:MARKer:FUNction-Subsystem - WCDMA 3GP FDD BTS and MS (FS-K72/K73)	6.84
CALCulate:MATH Subsystem	6.87
CALCulate:STATistics Subsystem	6.89
CALCulate:THReshold Subsystem	6.93
CALCulate:UNIT Subsystem	6.95
CALibration Subsystem	6.96
CONFigure – Subsystem	6.98
CONFigure:BURSt - Subsystem	6.102
CONFigure:SPECtrum - Subsystem	6.105
CONFigure:SPURious - Subsystem	6.106
CONFigure:WCDPower - Subsystem	6.107
DIAGnostic Subsystem	6.114
DISPlay Subsystem	6.117
FETCh - Subsystem	6.125
FETCh:BURSt - Subsystem	6.125
FETCh:PTEMplate Subsystem.....	6.139

FETCh:SPECtrum Subsystem	6.140
FORMat Subsystem	6.143
HCOPy Subsystem	6.144
INITiate Subsystem	6.150
INPUt Subsystem	6.152
INSTrument Subsystem	6.155
MMEMory Subsystem	6.157
OUTPUt Subsystem	6.170
READ - Subsystem	6.171
READ:AUTO - Subsystem	6.171
READ:BURSt - Subsystem	6.173
READ:SPECtrum Subsystem	6.187
SENSE Subsystem	6.190
[SENSE:]ADEMod - Subsystem	6.190
SENSE:AVERage Subsystem	6.204
SENSE:BANDwidth Subsystem	6.206
SENSE:CDPower Subsystem	6.211
SENSE:CORRection Subsystem	6.216
SENSE:DETEctor Subsystem	6.220
SENSE:FREQUency Subsystem	6.221
SENSE:LIST Subsystem	6.224
SENSE:MPOWER Subsystem	6.230
SENSE:POWER Subsystem	6.234
SENSE:ROSCillator Subsystem	6.240
SENSE:SWEEp Subsystem	6.241
SENSE:TV Subsystem	6.245
SOURce Subsystem	6.246
Internal Tracking Generator	6.246
SOURce:EXTernal Subsystem	6.249
STATus Subsystem	6.253
SYSTem Subsystem	6.263
TRACe Subsystem	6.274
General Trace Commands	6.274
Number and format of the measurement values for the different operating modes .	6.276
TRACe:IQ Subsystem	6.281
TRIGger Subsystem	6.291

UNIT Subsystem	6.297
Supported GPIB Commands of the HP 8590 Series	6-298
Supported Command Subset	6-298
Differences in Status Reporting	6-304
Differences in GPIB behavior between the FSP and the FSE families of instruments	6.305
Alphabetical List of Commands	6.329
Table of Softkeys with IEC/IEEE-Bus Command Assignment	6.344
FREQUENCY Key	6.344
SPAN Key	6.345
AMPT Key	6.346
MKR Key	6.347
MKR-> Key	6.348
Taste MKR FCTN	6.349
BW Key	6.351
SWEEP Key	6.352
MEAS Key	6.353
TRIG Key	6.357
TRACE Key	6.358
LINES Key	6.360
DISP Key	6.362
FILE Key	6.363
CAL Key	6.364
SETUP Key	6.364
HCOPY Key	6.366
Hotkeys	6.367
Hotkey NETWORK	6.368

6 Remote Control - Description of Commands

Notation

In the following sections, all commands implemented in the instrument are first listed in tables and then described in detail, arranged according to the command subsystems. The notation is adapted to the SCPI standard. The SCPI conformity information is included in the individual description of the commands.

Table of Commands

- Command: In the command column, the table provides an overview of the commands and their hierarchical arrangement (see indentations).
- Parameter: The parameter column indicates the requested parameters together with their specified range.
- Unit: The unit column indicates the basic unit of the physical parameters.
- Comment: In the comment column an indication is made on:
 - whether the command does not have a query form,
 - whether the command has only one query form
 - whether the command is implemented only with a certain option of the instrument

Indentations

The different levels of the SCPI command hierarchy are represented in the table by means of indentations to the right. The lower the level, the further the indentation to the right. Please note that the complete notation of the command always includes the higher levels as well.

Example: `SENSe:FREQuency:CENTer` is represented in the table as follows:

<code>SENSe</code>	first level
<code>:FREQuency</code>	second level
<code>:CENTer</code>	third level

Individual description

The individual description contains the complete notation of the command. An example for each command, the *RST value and the SCPI information are included as well.

The operating modes for which a command can be used are indicated by the following abbreviations:

- A Spectrum analysis
- A-F Spectrum analysis - frequency domain only
- A-T Spectrum analysis - time domain only (zero span)
- MS GSM mobile station analysis (option FS-K5)
- FM FM demodulator (option FS-K7)
- 3G FDD WCDMA 3G FDD BTS and MS (option FS-K72 and K73)
- 3G FDD BTS WCDMA 3G FDD BTS (option FS-K72)
- 3G FDD MS WCDMA 3G FDD MS (option FS-K73)

Note: *The spectrum analysis (analyzer) mode is implemented in the basic unit. For the other modes, the corresponding options are required.*

Upper/lower case notation Upper/lower case letters are used to mark the long or short form of the key words of a command in the description (see Chapter 5). The instrument itself does not distinguish between upper and lower case letters.

Special characters | A selection of key words with an identical effect exists for several commands. These keywords are indicated in the same line; they are separated by a vertical stroke. Only one of these keywords needs to be included in the header of the command. The effect of the command is independent of which of the keywords is used.

Example: `SENSe:FREQuency:CW|:FIXed`

The two following commands with identical meaning can be created. They set the frequency of the fixed frequency signal to 1 kHz:

`SENSe:FREQuency:CW 1E3 = SENSe:FREQuency:FIXed 1E3`

A vertical stroke in parameter indications marks alternative possibilities in the sense of "or". The effect of the command is different, depending on which parameter is used.

Example: Selection of the parameters for the command

`DISPlay:FORMat FULL | SPLit`

If parameter FULL is selected, full screen is displayed, in the case of SPLit, split screen is displayed.

[] Key words in square brackets can be omitted when composing the header (cf. Chapter 5, Optional Keywords). The full command length must be accepted by the instrument for reasons of compatibility with the SCPI standards.

Parameters in square brackets can be incorporated optionally in the command or omitted as well.

{ } Parameters in braces can be incorporated optionally in the command, either not at all, once or several times.

Description of parameters Due to the standardization, the parameter section of SCPI commands consists always of the same syntactical elements. SCPI has therefore specified a series of definitions, which are used in the tables of commands. In the tables, these established definitions are indicated in angled brackets (<...>) and will be briefly explained in the following (see also Chapter 5, Section "Parameters").

<Boolean> This keyword refers to parameters which can adopt two states, "on" and "off". The "off" state may either be indicated by the keyword **OFF** or by the numeric value 0, the "on" state is indicated by **ON** or any numeric value other than zero. Parameter queries are always returned the numeric value 0 or 1.

<numeric_value>
<num>

These keywords mark parameters which may be entered as numeric values or be set using specific keywords (character data).

The following keywords given below are permitted:

MINimum This keyword sets the parameter to the smallest possible value.

MAXimum This keyword sets the parameter to the largest possible value.

DEFault This keyword is used to reset the parameter to its default value.

UP This keyword increments the parameter value.

DOWN This keyword decrements the parameter value.

The numeric values associated to MAXimum/MINimum/DEFault can be queried by adding the corresponding keywords to the command. They must be entered following the quotation mark.

Example:SENSe:FREQuency:CENTer? MAXimum

returns the maximum possible numeric value of the center frequency as result.

<arbitrary block program data>

This keyword is provided for commands the parameters of which consist of a binary data block.

Common Commands

The common commands are taken from the IEEE 488.2 (IEC 625-2) standard. A particular command has the same effect on different devices. The headers of these commands consist of an asterisk "*" followed by three letters. Many common commands refer to the status reporting system which is described in detail in Chapter 5.

Command	Parameter	Function	Comment
*CAL?		Calibration Query	query only
*CLS		Clear Status	no query
*ESE	0 to 255	Event Status Enable	
*ESR?		Standard Event Status Query	query only
*IDN?		Identification Query	query only
*IST?		Individual Status Query	query only
*OPC		Operation Complete	
*OPT?		Option Identification Query	query only
*PCB	0 to 30	Pass Control Back	no query
*PRE	0 to 255	Parallel Poll Register Enable	
*PSC	0 1	Power On Status Clear	
*RST		Reset	no query
*SRE	0 to 255	Service Request Enable	
*STB?		Status Byte Query	query only
*TRG		Trigger	no query
*TST?		Self Test Query	query only
*WAI		Wait to continue	no query

***CAL?**

CALIBRATION QUERY initiates a calibration of the instrument and subsequently queries the calibration status. Any responses > 0 indicate errors.

***CLS**

CLEAR STATUS sets the status byte (STB), the standard event register (ESR) and the EVENT-part of the QUESTIONABLE and the OPERATION register to zero. The command does not alter the mask and transition parts of the registers. It clears the output buffer.

***ESE 0 to 255**

EVENT STATUS ENABLE sets the event status enable register to the value indicated. The query form *ESE? returns the contents of the event status enable register in decimal form.

***ESR?**

STANDARD EVENT STATUS QUERY returns the contents of the event status register in decimal form (0 to 255) and subsequently sets the register to zero.

***IDN?**

IDENTIFICATION QUERY queries the instrument identification.

Example: " Rohde&Schwarz, FSP-3, 123456/789, 1.03"

FSP-3 = Device name

123456/789 = Serial number of the instrument

1.03 = Firmware version number

***IST?**

INDIVIDUAL STATUS QUERY returns the contents of the IST flag in decimal form (0 | 1). The IST flag is the status bit which is sent during a parallel poll (cf. Chapter 5).

***OPC**

OPERATION COMPLETE sets bit 0 in the event status register when all preceding commands have been executed. This bit can be used to initiate a service request (cf. Chapter 5).

***OPC?**

OPERATION COMPLETE QUERY writes message "1" into the output buffer as soon as all preceding commands have been executed (cf. Chapter 5).

***OPT?**

OPTION IDENTIFICATION QUERY queries the options included in the instrument and returns a list of the options installed. The options are separated from each other by means of commas.

Position	Option	
1	FSP-B3	Audio Demodulator
2	FSP-B4	OCXO
3		reserved
4	FSP-B6	TV and RF Trigger
5		reserved
6		reserved
7	FSP-B9	Tracking Generator 3 GHz / can be I/Q-modulated
8	FSP-B10	Ext. Generator Control
9 to 12		reserved
13	FSP-B15	Broadband Calibration Source
14	FSP-B16	LAN Interface
15 to 22		reserved
23	FSP-B25	Electronic Attenuator + 5 dB Attenuator Steps
24 to 29		reserved
30	FS-K5	FS-K5 GSM-MS
31		reserved
32	FS-K7	FM Demodulator
33 to 34		reserved
35	FS-K72	WCDMA 3G FDD BTS
36	FS-K73	WCDMA 3G FDD MS
37...45		reserved
46	FSP-B70	FSP Demodulator for WCDMA BTS Measurements
47...50		reserved

Example:

B3,B4,0,B6,0,0,B9,B10,0,0,0,0,B15,B16,0,0,0,0,0,0,0,B25,0,0,0,0,0,0,K5,0,K7,0,0,0,0,0,0,0,0,0,0,0,0,0,0,0,0,0

***PCB 0 to 30**

PASS CONTROL BACK indicates the controller address which the IEC-bus control is to be returned to after termination of the triggered action.

***PRE 0 to 255**

PARALLEL POLL REGISTER ENABLE sets the parallel poll enable register to the indicated value. The query form *PRE? returns the contents of the parallel poll enable register in decimal form.

***PSC 0 | 1**

POWER ON STATUS CLEAR determines whether the contents of the ENABLE registers are preserved or reset during power-up.

*PSC = 0 causes the contents of the status registers to be preserved. Thus a service request can be generated when switching on the instrument, if the status registers ESE and SRE are suitably configured.

*PSC ≠ 0 'Resets the registers.

The query form *PSC? reads out the contents of the power-on-status-clear flag. The response can be 0 or 1.

***RST**

RESET sets the instrument to a defined default status. The command essentially corresponds to pressing the *PRESET* key. The default setting is indicated in the description of the commands.

***SRE 0 to 255**

SERVICE REQUEST ENABLE sets the service request enable register to the indicated value. Bit 6 (MSS mask bit) remains 0. This command determines under which conditions a service request is generated. The query form **SRE?* reads the contents of the service request enable register in decimal form. Bit 6 is always 0.

***STB?**

READ STATUS BYTE QUERY reads out the contents of the status byte in decimal form.

***TRG**

TRIGGER initiates all actions in the currently active test screen expecting a trigger event. This command corresponds to *INITiate:IMMEDIATE* (cf. Section "TRIGger Subsystem").

***TST?**

SELF TEST QUERY initiates the selftest of the instrument and outputs an error code in decimal form (0 = no error).

***WAI**

WAIT-to-CONTINUE permits servicing of subsequent commands only after all preceding commands have been executed and all signals have settled (cf. Chapter 5 and *"*OPC"* as well).

ABORt Subsystem

The ABORt subsystem contains the commands for aborting triggered actions. An action can be triggered again immediately after being aborted. All commands trigger events, and therefore they have no *RST value.

COMMAND	PARAMETERS	UNIT	COMMENT
ABORt	-- --	-- --	no query

ABORt

This command aborts a current measurement and resets the trigger system.

Example: "ABOR; INIT: IMM"

Characteristics: *RST value: 0
SCPI: conforming

Mode: A, MS, FM

CALCulate Subsystem

The CALCulate subsystem contains commands for converting instrument data, transforming and carrying out corrections. These functions are carried out subsequent to data acquisition, i.e. following the SENSE subsystem.

The numeric suffix is used in CALCulate to make the distinction between the two measurement windows SCREEN A and SCREEN B:

CALCulate1 = Screen A
CALCulate2 = Screen B.

For commands without suffix, screen A is selected automatically.

Full Screen The settings are valid for the measurement window selected with the numeric suffix. They become effective as soon as the corresponding measurement window has been selected as active measurement window using the command DISPLAY[:WINDow<1|2>]:SELEct. Triggering measurements and querying measured values is possible only in the active measurement window.

Split Screen The settings are valid for the measurement window selected by means of the numeric suffix and become effective immediately.

- Notes:**
- *In receiver mode, the markers can only be activated for the scan display. Therefore, the numerical suffix is irrelevant in this operating mode.*
 - *All GSM measurements are performed in screen A. Therefore, commands carrying a numerical suffix selecting the screen should start either with the numerical suffix 1 (i.e. CALCulate1) or without a numerical suffix (i.e. CALCulate).*

CALCulate:DELTamarker Subsystem

The CALCulate:DELTamarker subsystem controls the delta-marker functions in the instrument. The measurement windows are selected via CALCulate1 (screen A) or 2 (screen B).

COMMAND	PARAMETERS	UNIT	COMMENT
CALCulate<1 2> :DELTamarker<1 to 4> [:STATe]	<Boolean> ABSolute RELative	--	
:MODE			no query
:AOff			
:TRACe	<numeric_value>	--	
:X	<numeric_value>	HZ S DBM DB	
:RELative?	--	--	query only
:Y?	--	--	query only
:MAXimum			
[:PEAK]	--	--	no query
:NEXT	--	--	no query
:RIGHT	--	--	no query
:LEFT	--	--	no query
:MINimum			
[:PEAK]	--	--	no query
:NEXT	--	--	no query
:RIGHT	--	--	no query
:LEFT	--	--	no query
:FUNCTION			
:FIXed			
[:STATe]	<Boolean>		
:RPOint			
:Y	<numeric_value>	DBM	
:OFFSet	<numeric_value>	DB	
:X	<numeric_value>	HZ S	
:PNOise			
[:STATe]	<Boolean>		
:RESult?	--	--	query only

CALCulate<1|2>:DELTamarker<1 to 4>[:STATe] ON | OFF

This command switches on and off the delta marker when delta marker 1 is selected. The corresponding marker becomes the delta marker when delta marker 2 to 4 is selected. If the corresponding marker is not activated, it will be activated and positioned on the maximum of the measurement curve.

If no numeric suffix is indicated, delta marker 1 is selected automatically.

Example: "CALC:DELT3 ON" 'Switches marker 3 in screen A to delta marker mode.

Characteristics: *RST value: OFF
 SCPI: device-specific

Mode: A, MS, FM

CALCulate<1|2>:DELTamarker<1 to 4>:MODE ABSolute | RELative

This command switches between relative and absolute frequency input of the delta marker (or time with span = 0). It affects all delta markers independent of the measurement window.

Example: "CALC:DELT:MODE ABS" 'Switches the frequency/time indication for all delta markers to absolute values.

"CALC:DELT:MODE REL" 'Switches the frequency/time indication for all 'delta markers to relative to marker 1.

Characteristics: *RST value: REL
SCPI: device-specific

Mode: A, MS, FM

CALCulate<1|2>:DELTamarker<1 to 4>:AOFF

This command switches off all active delta markers in the selected measurement window (screen A or screen B).

Example: "CALC2:DELT:AOFF" 'Switches off all delta markers in screen B.

Characteristics: *RST value: -
SCPI: device-specific

Mode: A, MS, FM

This command is an event and therefore has no *RST value and no query.

CALCulate<1|2>:DELTamarker<1 to 4>:TRACe 1 to 3

This command assigns the selected delta marker to the indicated measurement curve in the indicated measurement window. The selected measurement curve must be active, i.e. its state must be different from "BLANK".

Example: "CALC:DELT3:TRAC 2" 'Assigns deltamarker 3 to trace 2 in screen A.

"CALC:DELT:TRAC 3" 'Assigns deltamarker 1 to trace 3 in screen B.

Characteristics: *RST value: -
SCPI: device-specific

Mode: A, MS, FM

CALCulate<1|2>:DELTamarker<1 to 4>:X 0 to MAX (frequency | sweep time)

This command positions the selected delta marker in the indicated measurement window to the indicated frequency (span > 0), time (span = 0) or level (APD measurement = ON or CCDF measurement = ON). The input is in absolute values or relative to marker 1 depending on the command CALCulate:DELTamarker:MODE. If Reference Fixed measurement (CALCulate:DELTamarker:FUNCTion:FIXed:STATe ON) is active, relative values refer to the reference position are entered. The query always returns absolute values.

Example:

"CALC:DELT:MOD REL"	'Switches the input for all delta markers to relative to marker 1.
"CALC:DELT2:X 10.7MHz"	'Positions delta marker 2 in screen A 10.7 MHz to the right of marker 1.
"CALC2:DELT:X?"	'Outputs the absolute frequency/time of delta marker 1 in screen B
"CALC2:DELT:X:REL?"	'Outputs the relative frequency/time/level of delta marker 1 in screen B

Characteristics: *RST value: -
SCPI: device-specific

Mode: A, MS, FM

CALCulate<1|2>:DELTamarker<1 to 4>:X:RELative?

This command queries the frequency (span > 0) or time (span = 0) of the selected delta marker relative to marker 1 or to the reference position (for CALCulate:DELTamarker:FUNCTion:FIXed:STATe ON). The command activates the corresponding delta marker, if necessary.

Example:

"CALC:DELT3:X:REL?"	'Outputs the frequency of delta marker 3 in screen B relative to marker 1 or relative to the reference position.
---------------------	--

Characteristics: *RST value: -
SCPI: device-specific

Mode: A, MS, FM

CALCulate<1|2>:DELTamarker<1 to 4>:Y?

This command queries the measured value of the selected delta marker in the indicated measurement window. The corresponding delta marker will be activated, if necessary. The output is always a relative value referred to marker 1 or to the reference position (reference fixed active).

To obtain a valid query result, a complete sweep with synchronization to the sweep end must be performed between the activation of the delta marker and the query of the y value. This is only possible in single sweep mode.

Depending on the unit defined with `CALC:UNIT` or on the activated measuring functions, the query result is output in the units below:

- DBM | DBPW | DBUV | DBMV | DBUA: Output unit DB
- WATT | VOLT | AMPere: Output unit W | V | A
- Statistics function (APD or CCDF) on: Dimensionless output
- Result display FM (FS-K7): Hz
- Result display RF POWER (FS-K7): dB
- Result display SPECTRUM (FS-K7): dB

Example:

<code>"INIT:CONT OFF"</code>	'Switches to single-sweep mode.
<code>"CALC:DELT2 ON"</code>	'Switches on delta marker 2 in screen A.
<code>"INIT;*WAI"</code>	'Starts a sweep and waits for its end.
<code>"CALC:DELT2:Y?"</code>	'Outputs measurement value of delta marker 2 in screen A.

Characteristics: *RST value: -
SCPI: device-specific

Mode: A, MS, FM

CALCulate<1|2>:DELTamarker<1 to 4>:MAXimum[:PEAK]

This command positions the delta marker to the current maximum value on the measured curve. If necessary, the corresponding delta marker will be activated first.

Example:

<code>"CALC2:DELT3:MAX"</code>	'Sets delta marker 3 in screen B to the maximum value of the associated trace.
--------------------------------	--

Characteristics: *RST value: -
SCPI: device-specific

Mode: A, MS, FM

This command is an event and therefore has no *RST value and no query.

CALCulate<1|2>:DELTamarker<1 to 4>:MAXimum:NEXT

This command positions the delta marker to the next smaller maximum value on the measured curve. The corresponding delta marker will be activated first, if necessary.

Example:

<code>"CALC1:DELT2:MAX:NEXT"</code>	'Sets delta marker 2 in screen A to the next smaller maximum value.
-------------------------------------	---

Characteristics: *RST value: -
SCPI: device-specific

Mode: A, MS, FM

This command is an event and therefore has no *RST value and no query.

CALCulate<1|2>:DELTamarker<1 to 4>:MAXimum:RIGHT

This command positions the delta marker to the next smaller maximum value to the right of the current value (i.e. ascending X values). The corresponding delta marker is activated first, if necessary.

Example: "CALC2:DELT:MAX:RIGHT" 'Sets delta marker 1 in screen B to the next 'smaller maximum value to the right of the 'current value.

Characteristics: *RST value: -
SCPI: device-specific

Mode: A, MS, FM

This command is an event and therefore has no *RST value and no query.

CALCulate<1|2>:DELTamarker<1 to 4>:MAXimum:LEFT

This command positions the delta marker to the next smaller maximum value to the left of the current value (i.e. descending X values). The corresponding delta marker will be activated first, if necessary.

Example: "CALC:DELT:MAX:LEFT" 'Sets delta marker 1 in screen A to the next 'smaller maximum value to the left of the 'current value.

Characteristics: *RST value: -
SCPI: device-specific

Mode: A, BTS , MS, FM

This command is an event and therefore has no *RST value and no query.

CALCulate<1|2>:DELTamarker<1 to 4>:MINimum[:PEAK]

This command positions the delta marker to the current minimum value on the measured crve. The corresponding delta marker will be activated first, if necessary.

Example: "CALC2:DELT3:MIN" 'Sets delta marker 3 in screen B to the 'minimum value of the associated trace.

Characteristics: *RST value: -
SCPI: device-specific

Mode: A, BTS , MS, FM

This command is an event and therefore has no *RST value and no query.

CALCulate<1|2>:DELTamarker<1 to 4>:MINimum:NEXT

This command positions the delta marker to the next higher minimum value of the measured curve. The corresponding delta marker will be activated first, if necessary.

Example: "CALC1:DELT2:MIN:NEXT" 'Sets delta marker 2 in screen A to the next 'higher minimum value.

Characteristics: *RST value: -
SCPI: device-specific

Mode: A, BTS , MS, FM

This command is an event and therefore has no *RST value and no query.

CALCulate<1|2>:DELTamarker<1 to 4>:MINimum:RIGHT

This command positions the delta marker to the next higher minimum value to the right of the current value (i.e. ascending X values). The corresponding delta marker will be activated first, if necessary.

Example: "CALC2:DELT:MIN:RIGH" 'Sets delta marker 1 in screen B to the next higher minimum value to the right of the current value.

Characteristics: *RST value: -
SCPI: device-specific

Mode: A, BTS , MS, FM

This command is an event and therefore has no *RST value and no query.

CALCulate<1|2>:DELTamarker<1 to 4>:MINimum:LEFT

This command positions the delta marker to the next higher minimum value to the left of the current value (i.e. descending X values). The corresponding delta marker will be activated first, if necessary.

Example: "CALC:DELT:MIN:LEFT" 'Sets delta marker 1 in screen A to the next higher minimum to the left of the current value.

Characteristics: *RST value: -
SCPI: device-specific

Mode: A, BTS , MS, FM

This command is an event and therefore has no *RST value and no query.

CALCulate<1|2>:DELTamarker<1 to 4>:FUNction:FIXed[:STATe] ON | OFF

This command switches the relative measurement to a fixed reference value on or off. Marker 1 will be activated previously and a peak search will be performed, if necessary. If marker 1 is activated, its position becomes the reference point for the measurement. The reference point can then be modified with commands CALCulate:DELTamarker:FUNction:FIXed:RPOint:X and to :RPOint:Y independently of the position of marker 1 and of a trace. It is valid for all delta markers in the selected measurement window as long as the function is active.

Example: "CALC2:DELT:FUNC:FIX ON" 'Switches on the measurement with fixed reference value for all delta markers in screen B.

"CALC2:DELT:FUNC:FIX:RPO:X 128 MHZ" 'Sets the reference frequency in screen B to 128 MHz.

"CALC2:DELT:FUNC:FIX:RPO:Y 30 DBM" 'Sets the reference level in screen B to +30 dBm

Characteristics: *RST value: OFF
SCPI: device-specific.

Mode: A, MS

CALCulate<1|2>:DELTamarker<1 to 4>:FUNCTION:FIXed:RPOint:MAXimum[:PEAK]
 <numeric_value>

This command sets the reference point level for all delta markers in the selected measurement window for a measurement with fixed reference point (CALC:DELT:FUNC:FIX:STAT ON) to the peak of the selected trace.

For phase-noise measurements (CALCulate:DELTamarker:FUNCTION:PNOise:STATe ON), the command defines a new reference point level for delta marker 2 in the selected measurement window.

Example: "CALC:DELT:FUNC:FIX:RPO:MAX"

Characteristics: *RST value: -
 SCPI: device-specific

Mode: A, MS

This command is an event and therefore has no *RST value and no query.

CALCulate<1|2>:DELTamarker<1 to 4>:FUNCTION:FIXed:RPOint:Y <numeric_value>

This command defines a new reference point level for all delta markers in the selected measurement window for a measurement with fixed reference point.

(CALCulate:DELTamarker:FUNCTION:FIXed:STATe ON).

For phase-noise measurements (CALCulate:DELTamarker:FUNCTION:PNOise:STATe ON), the command defines a new reference point level for delta marker 2 in the selected measurement window.

Example: "CALC:DELT:FUNC:FIX:RPO:Y -10dBm" 'Sets the reference point level for
 'delta markers in screen A to -10
 'dBm.

Characteristics: *RST value: - (FUNCTION:FIXed[:STATe] is set to OFF)
 SCPI: device-specific

Mode: A, MS

CALCulate<1|2>:DELTamarker<1 to 4>:FUNCTION:FIXed:RPOint:Y:OFFSet <numeric_value>

This command defines an additional level offset for the measurement with fixed reference value (CALCulate:DELTamarker:FUNCTION:FIXed:STATe ON). For this measurement, the offset is included in the display of all delta markers of the selected measurement window.

For phase-noise measurements (CALCulate:DELTamarker:FUNCTION:PNOise:STATe ON), the command defines an additional level offset which is included in the display of delta marker 2 in the selected measurement window.

Example: "CALC:DELT:FUNC:FIX:RPO:Y:OFFS 10dB"
 'Sets the level offset for the measurement with fixed reference
 'value or the phase-noise measurement in screen A to 10 dB.

Characteristics: *RST value: 0 dB
 SCPI: device-specific

Mode: A, MS

CALCulate<1|2>:DELTamarker<1 to 4>:FUNction:FIXed:RPOint:X <numeric_value>

This command defines a new reference frequency (span > 0) or time (span = 0) for all delta markers in the selected measurement window for a measurement with fixed reference value (CALCulate:DELTamarker:FUNction:FIXed:STATe ON).

For phase-noise measurements (CALCulate:DELTamarker:FUNction:PNOise:STATe ON), the command defines a new reference frequency or time for delta marker 2 in the selected measurement window.

Example: "CALC2:DELT:FUNC:FIX:RPO:X 128MHZ" 'Sets the reference frequency in 'screen B to 128 MHz.

Characteristics: *RST value: - (FUNction:FIXed[:STATe] is set to OFF)
SCPI: device-specific

Mode: A, MS

CALCulate<1|2>:DELTamarker<1 to 4>:FUNction:PNOise[:STATe] ON | OFF

This command switches on or off the phase-noise measurement with all active delta markers in the selected measurement window. The correction values for the bandwidth and the log amplifier are taken into account in the measurement.

Marker 1 will be activated, if necessary, and a peak search will be performed. If marker 1 is activated, its position becomes the reference point for the measurement.

The reference point can then be modified with commands CALCulate:DELTamarker:FUNction:FIXed:RPOint:X and . . . :RPOint:Y independently of the position of marker 1 and of a trace (the same commands used for the measurement with fixed reference point).

The numeric suffix <1 to 4> with DELTmarker is not relevant for this command.

Note: *This command is not available during GSM measurements.*

Example: "CALC:DELT:FUNC:PNO ON" 'Switches on the phase-noise measurement 'with all delta markers in screen A.
"CALC:DELT:FUNC:FIX:RPO:X 128 MHZ" 'Sets the reference frequency 'to 128 MHz.
"CALC:DELT:FUNC:FIX:RPO:Y 30 DBM" 'Sets the reference level to '+30 dBm

Characteristics: *RST value: OFF
SCPI: device-specific

Mode: A

CALCulate<1|2>:DELTamarker<1 to 4>:FUNction:PNOise:RESult?

This command queries the result of the phase-noise measurement in the selected measurement window. The measurement will be switched on, if necessary.

Note: *This command is not available during GSM measurements.*

Example: "CALC:DELT:FUNC:PNO:RES?" 'Outputs the result of phase-noise 'measurement of the selected delta marker in 'screen A.

Characteristics: *RST value: -
SCPI: device-specific

Mode: A

This command is only a query and therefore has no *RST value.

CALCulate:FEED Subsystem

The CALCulate:FEED subsystem selects the type of evaluation of the measured data. This corresponds to the selection of the Result Display in manual mode.

If the FM demodulator is active, the selection of the type of evaluation is independent of the measurement window. Therefore, the numeric suffix <1|2> is irrelevant and ignored.

Command	Parameter	Unit	Comment
CALCulate<1 2>: :FEED	<string>		No query

CALCulate<1|2>:FEED <string>

This command selects the measured data that are to be displayed.

Parameters for option FS-K7 FM Demodulator:

<string>::=

'XTIM:AM'	Demodulated AM signal in level display. Equivalent to 'XTIM:RFPower'.
'XTIM:RFPower'	Demodulated AM signal in level display.
'XTIM:FM'	Demodulated FM signal.
'XTIM:SPECtrum'	RF spectrum of FM signal determined from the measured data by means of FFT.
'XTIM:AMSummary<1 to 3>'	AM summary marker, referred to trace 1 to 3.
'XTIM:FMSummary<1 to 3>'	FM summary marker, referred to trace 1 to 3

Parameters for option FS-K72/K73 WCDMA 3G FDD BTS/MS:

The value in parentheses (CALC1) or (CALC2) indicates which command string is required in order to match the parameter selected (<string>).

<string>::=

'XPOW:CDP'	Bargraph result display of code domain power (absolute)(CALC1)
'XPOW:CDP:RATio'	Bargraph result display of code domain power ratio (relative) (CALC1)
'XPOW:CDP:OVERview'	Overview, screen A displays CDP Rel I, screen B CDP Q (option FS-K73 only)
'XTIM:CDP:ERR'	Bargraph result display of timing error
'XTIM:CDP:ERR:PHASe'	Bargraph result display of phase error
'XTIM:CDP:ERR:SUMM'	Display of results in tabular form (CALC2)
'XTIM:CDP:ERR:CTABle'	Display of channel table (CALC1)
'XTIM:CDP:ERR:PCDomain'	Result display of peak code domain error (CALC2)
'XTIM:CDP:MACCuracy'	Result display of modulation accuracy (CALC2)
'XTIM:CDP:PVSLOT'	Result display of power versus slot (CALC2)
'XTIM:CDP:PVSymbol'	Result display of power versus symbol (CALC2)

'XTIM:CDP:PVSymbol'	Result display of power versus symbol (CALC2)
'XTIM:CDP:BStream'	Result display of bitstream (CALC2)
'XTIM:CDP:SYMB:CONStellation'	Result display of symbol constellation (CALC2)
'XTIM:CDP:SYMB:EVM'	Result display of vector magnitude error (CALC2)

Example: "CALC:FEED `XTIM:FM`" 'Selects the display of the FM signal

Characteristics: *RST value: 'XTIM:OFF'
SCPI: conforming

Mode: FM, 3G FDD

This command is only available with option FS-K7 (FM demodulator) or options FS-K72 (WCDMA 3G FDD BTS) and FS-K73 (WCDMA 3G FDD BTS)

CALCulate:LIMit Subsystem

The CALCulate:LIMit subsystem consists of the limit lines and the corresponding limit checks. Limit lines can be defined as upper or lower limit lines. The individual Y values of the limit lines correspond to the values of the X axis (CONTRol). The number of X and Y values must be identical.

8 limit lines can be active at the same time (marked by LIMIT1 to LIMIT8) in screen A and/or screen B. The measurement windows is selected via CALCulate 1 (screen A) or 2 (screen B).

The limit check can be switched on separately for each measurement screen and limit line. WINDow1 corresponds to screen A, WINDow2 to screen B.

Each limit line can be assigned a name (max. 8 letters) under which the line is stored in the instrument. An explanatory comment can also be given for each line (max. 40 characters).

Example (analyzer mode):

Definition and use of a new limit line 5 for trace 2 in screen A and trace 1 in screen B with the following features:

- upper limit line
- absolute X axis in the frequency domain
- 5 ref. values: 126 MHz/-40 dB, 127 MHz/-40 dB, 128 MHz/-20 dB, 129 MHz/-40 dB, 130 MHz/-40 dB
- relative Y axis with unit dB
- absolute threshold value at -35 dBm
- no safety margin

Definition of the line:

- | | |
|-------------------------------------|---|
| 1. Defining the name: | CALC:LIM5:NAME 'TEST1' |
| 2. Entering the comment: | CALC:LIM5:COMM 'Upper limit line' |
| 3. Associated trace in screen A: | CALC1:LIM5:TRAC 2 |
| 4. Associated trace in screen B: | CALC2:LIM5:TRAC 1 |
| 5. Defining the X axis range: | CALC:LIM5:CONT:DOM FREQ |
| 6. Defining the X axis scaling: | CALC:LIM5:CONT:MODE ABS |
| 7. Defining the Y axis unit: | CALC:LIM5:UNIT DB |
| 8. Defining the Y axis scaling: | CALC:LIM5:UPP:MODE REL |
| 9. Defining the X axis values: | CALC:LIM5:CONT 126MHZ, 127MHZ, 128MHZ,
129 MHZ, 130MHZ |
| 10. Defining the y values: | CALC:LIM5:UPP -40, -40, -30, -40, -40 |
| 11. Defining the y threshold value: | CALC:LIM5:UPP:THR -35DBM |

The definition of the safety margin and shifting in X and/or Y direction can take place as from here (see commands below).

Switching on and evaluating the line in screen A:

- | | |
|---|------------------------|
| 1. Switching on the line in screen A: | CALC1:LIM5:UPP:STAT ON |
| 2. Switching on the limit check in screen A: | CALC1:LIM5:STAT ON |
| 3. Starting a new measurement with synchronization: | INIT;*WAI |
| 4. Querying the limit check result: | CALC1:LIM5:FAIL? |

Switching on and evaluating the line in screen B is performed in the same way by using CALC2 instead of CALC1.

- Note:** - This subsystem is not available for GSM MS measurements modulation accuracy (MAC) and phase frequency error (PFE) (option FS-K5).
- The names of the limit lines for GSM MS measurements are fixed. The names must be assigned by the user prior to their use:

```

CALCulate1:LIMit1:NAME 'xxxU_yz' or
CALCulate1:LIMit2:NAME 'xxxL_yz'

xxx = measurement          (PVT / CPW / MOD / TRA)
U   = upper limit line    (PVT / CPW / MOD / TRA)
L   = lower limit line    (PVT / CPW)
y   = modulation type     (_G = GMSK / _E = EDGE)
z   = for all measurements blank, only
      for PVT in multislot:
          active slots      (blank = 1 active slot
                             2     = 2 active slots
                             3     = 3 active slots
                             4     = 4 active slots)
    
```

```

Query:    CALC1:LIM1:FAIL?
          CALC1:LIM2:FAIL?
    
```

```

Example:
CPWU_G =   upper limit line for Carrier Power measurement,
           Modulation type GMSK
PVTL_E3 =  lower limit line for Power versus Time measurement,
           Modulation type EDGE, multislot: 3 active slots
    
```

COMMAND	PARAMETERS	UNIT	COMMENT
CALCulate<1 2> :LIMit<1 to 8> :TRACe :STATe :UNIT	<numeric_value> <Boolean> DBM DBPW WATT DBUV DBMV VOLT DBUA AMPere DB DBUV_M DBUA_M DEG RAD S HZ PCT UNITLESS	--	
:FAIL?		--	query only
:CLEar [:IMMediate]	--	--	no query
:COMMeNt	<string>	--	
:COpy	1 to 8 < name>	--	
:NAME	<string>		
:DELete	--		

CALCulate<1|2>:LIMit<1 to 8>:TRACe 1 to 3

This command assigns a limit line to a trace in the indicated measurement window.

Examples: "CALC:LIM2:TRAC 3" 'Assigns limit line 2 to trace 3 in screen A.
 "CALC2:LIM2:TRAC 1" 'Assigns limit line 2 to trace 1 in screen B at the same time.

Characteristics: *RST value: 1
 SCPI: device-specific

Mode: A, MS, FM

CALCulate<1|2>:LIMit<1 to 8>:STATe ON | OFF

This command switches on or off the limit check for the selected limit line in the selected measurement window.

The result of the limit check can be queried with `CALCulate:LIMit<1 to 8>:FAIL?`.

Example:

<code>"CALC:LIM:STAT ON"</code>	'Switches on the limit check for limit line 1 in screen A.
<code>"CALC2:LIM:STAT OFF"</code>	'Switches off the limit check for limit line 1 in screen B.

Characteristics: *RST value: OFF
SCPI: conforming

Mode: A, BTS, MS, FM

CALCulate<1|2>:LIMit<1 to 8>:UNIT DBM | DBPW | WATT | DBUV | DBMV | VOLT |DBUA | AMPere | DB | DEG | RAD | S | HZ | PCT | UNITLESS

This command defines the unit of the selected limit line.

The definition is valid independently of the measurement window.

Upon selection of the unit DB the limit line is automatically switched to the relative mode. For units different from DB the limit line is automatically switched to absolute mode.

The units DEG, RAD, S, HZ, PCT are not available in *SPECTRUM* mode.

Example: `"CALC:LIM4:UNIT DBUV"` 'Sets the unit of limit line 4 to dB μ V.

Characteristics: *RST value: DBM
SCPI: device-specific

Mode: A, MS, FM

CALCulate<1|2>:LIMit<1 to 8>:FAIL?

This command queries the result of the limit check of the limit line indicated in the selected measurement window. It should be noted that a complete sweep must have been performed for obtaining a valid result. A synchronization with *OPC, *OPC? or *WAI should therefore be provided. The result of the limit check responds with 0 for PASS, 1 for FAIL, and 2 for MARGIN.

Example:

<code>"INIT; *WAI"</code>	'Starts a new sweep and waits for its end.
<code>"CALC2:LIM3:FAIL?"</code>	'Queries the result of the check for limit line 3 in screen B.

Characteristics: *RST value: -
SCPI: conforming

Mode: A, MS, FM

CALCulate<1|2>:LIMit<1 to 8>:CLEar[:IMMediate]

This command deletes the result of the current limit check for all limit lines in the selected measurement window.

Example: "CALC:LIM:CLE" 'Deletes the result of the limit check in screen A

Characteristics: *RST value: -
SCPI: conforming

Mode: A, MS, FM

This command is an event and therefore has no *RST value.

CALCulate<1|2>:LIMit<1 to 8>:COMMent <string>

This command defines a comment for the limit line selected (max. 40 characters). The comment is independent from the measurement window.

Example: "CALC:LIM5:COMM 'Upper limit for spectrum'"
'Defines the comment for limit line 5.

Characteristics: *RST value: blank comment
SCPI: device-specific

Mode: A, MS, FM

CALCulate<1|2>:LIMit<1 to 8>:COPY 1 to 8 | <name>

This command copies one limit line onto another one. It is independent of the measurement window. The name of the limit line may consist of max 8 characters.

Parameter: 1 to 8 ::= number of the new limit line or:
<name> ::= name of the new limit line given as a string

Example: "CALC:LIM1:COPY 2" 'Copies limit line 1 to line 2.
"CALC:LIM1:COPY 'GSM2' " 'Copies limit line 1 to a new line named "GSM2".

Characteristics: *RST value: --
SCPI: device-specific

Mode: A, MS, FM

This command is an event and therefore has no *RST value and no query.

CALCulate<1|2>:LIMit<1 to 8>:NAME <name of limit line>

This command assigns a name to a limit line numbered 1 to 8. If it does not exist already, a limit line with this name is created. The command is independent of the measurement window.

The name of the limit line may contain a maximum of 8 characters.

Example: "CALC:LIM1:NAME 'GSM1' " 'Assigns the name 'GSM1' to limit line 1.

Characteristics: *RST value: 'REM1' to 'REM8' for lines 1 to 8
SCPI: device-specific

Mode: A, MS, FM

CALCulate<1|2>:LIMit<1 to 8>:DELeTe

This command deletes the selected limit line. The command is independent of the measurement window.

Example: "CALC:LIM1:DEL" 'Deletes limit line 1.

Characteristics: *RST value: --
 SCPI: device-specific

Mode: A, MS, FM

This command is an event and therefore has no *RST value and no query.

Example: "INST BWCD" ' Switches the instrument to the WCDMA Downlink mode
 " :CALC:LIM:ESP:VAL 39 " Selects the limit line "39 ≤ P < 43"

Characteristics: *RST value: 0
 SCPI: device-specific

Mode: 3G FDD

CALCulate<1|2>:LIMit<1...8>:ESpectrumRESTore

This command restores the standard limit lines for the spectrum emission mask measurement. All modifications made to the standard limit lines are lost and the default setting valid upon delivery is restored.

This command is only available in conjunction with the options FS-K72 (WCDMA 3G FDD BTS) and FS-K73 (WCDMA 3G FDD MS).

The numeric suffixes <1|2> or <1 to 8> are irrelevant for this command.

Example: "INST BWCD" ' Switches the instrument to the WCDMA Downlink mode
 "CALC:LIM:ESP:REST" ' Sets the spectrum emission mask limit lines back to the default setting

Characteristics: *RST value: --
 SCPI: device-specific

Mode: 3G FDD

This command is an event and therefore has no *RST value and no query.

CALCulate:LIMit:ACPower Subsystem

The CALCulate:LIMit:ACPower subsystem defines the limit check for adjacent channel power measurement.

COMMAND	PARAMETERS	UNIT	COMMENT
CALCulate<1 2> LIMit<1 to 8> :ACPower [:STATe] :ACHannel [:RELative] :STATe :ABSolute :STATe :RESult? :ALternate<1 2> [:RELative] :STATe :ABSolute :STATe :RESult?	<Boolean> <numeric_value>, <numeric_value> <Boolean> <numeric_value>, <numeric_value> <Boolean> -- <numeric_value>, <numeric_value> <Boolean> <numeric_value>, <numeric_value> <Boolean> --	 DB, DB DBM, DBM DB, DB DBM, DBM --	 query only query only

CALCulate<1|2>:LIMit<1 to 8>:ACPower[:STATe] ON | OFF

This command switches on and off the limit check for adjacent channel power measurements in the selected measurement window. The commands CALCulate:LIMit:ACPower:ACHannel:STATe or CALCulate:LIMit:ACPower:ALternate:STATe must be used in addition to specify whether the limit check is to be performed for the upper/lower adjacent channel or for the alternate adjacent channels.

The numeric suffixes <1 to 8> are irrelevant for this command.

Example: "CALC:LIM:ACP ON" 'Switches on the ACP limit check in screen A.

Characteristics: *RST value: OFF
SCPI: device-specific

Mode: A

CALCulate<1|2>:LIMit<1 to 8>:ACPpower:ACHannel[:RELative] 0 to 100dB, 0 to 100dB

This command defines the relative limit of the upper/lower adjacent channel for adjacent channel power measurements in the selected measurement window. The reference value for the relative limit value is the measured channel power.

It should be noted that the relative limit value has no effect on the limit check as soon as it is below the absolute limit value defined with `CALCulate:LIMit:ACPpower:ACHannel:ABSolute`. This mechanism allows automatic checking of the absolute basic values of adjacent channel power as defined in mobile radio standards.

The numeric suffixes <1 to 8> are irrelevant for this command.

Parameter: The first numeric value is the limit for the upper (lower) adjacent channel. The second value is ignored but must be indicated for reasons of compatibility with the FSE family.

Example: `"CALC:LIM:ACP:ACH 30DB, 30DB"` 'Sets the relative limit value in
'screen A for the power in the lower
'and upper adjacent channel to
'30 dB below the channel power.

Characteristics: *RST value: 0 dB
SCPI: device-specific

Mode: A

CALCulate<1|2>:LIMit<1 to 8>:ACPower:ACHannel[:RELative]:STATe ON | OFF

This command activates the limit check for the relative limit value of the adjacent channel when adjacent channel power measurement is performed. Before the command, the limit check must be activated using `CALCulate:LIMit:ACPower:STATe ON`.

The result can be queried with `CALCulate:LIMit:ACPower:ACHannel:RESult?`. It should be noted that a complete measurement must be performed between switching on the limit check and the result query, since otherwise no valid results are available.

The numeric suffixes <1 to 8> are irrelevant for this command.

Example:

<code>"CALC:LIM:ACP:ACH 30DB, 30DB"</code>	'Sets the relative limit value in screen A for the power in the lower and upper adjacent channel to 30 dB below the channel power.'
<code>"CALC:LIM:ACP:ACH:ABS -35DBM, -35DBM"</code>	'Sets the absolute limit value in screen A for the power in the lower and upper adjacent channel to -35 dBm.'
<code>"CALC:LIM:ACP ON"</code>	'Switches on globally the limit check for the channel/adjacent channel measurement in screen A.'
<code>"CALC:LIM:ACP:ACH:REL:STAT ON"</code>	'Switches on the check of the relative limit values for adjacent channels in screen A.'
<code>"CALC:LIM:ACP:ACH:ABS:STAT ON"</code>	'Switches on the check of absolute limit values for the adjacent channels in screen A.'
<code>"INIT;*WAI"</code>	'Starts a new measurement and waits for the sweep end.'
<code>"CALC:LIM:ACP:ACH:RES?"</code>	'Queries the limit check result in the adjacent channels in screen A.'

Characteristics: *RST value: OFF
SCPI: device-specific

Mode: A

CALCulate<1|2>:LIMit<1 to 8>:ACPower:ACHannel:ABSolute -200DBM to 200DBM, -200 to 200DBM

This command defines the absolute limit value for the lower/upper adjacent channel during adjacent-channel power measurement (Adjacent Channel Power) in the selected measurement window.

It should be noted that the absolute limit value has no effect on the limit check as soon as it is below the relative limit value defined with `CALCulate:LIMit:ACPower:ACHannel:RELative`. This mechanism allows automatic checking of the absolute basic values of adjacent channel power as defined in mobile radio standards.

The numeric suffixes <1 to 8> in LIMit are irrelevant for this command.

Parameter: The first value is the limit for the lower and the upper adjacent channel. The second limit value is ignored but must be indicated for reasons of compatibility with the FSE family.

Example: `"CALC:LIM:ACP:ACH:ABS -35DBM, -35DBM"`

'Sets the absolute limit value in
'screen A for the power in the lower
'and upper adjacent channel to
'-35 dBm.

Characteristics: *RST value: -200DBM
SCPI: device-specific

Mode: A

CALCulate<1|2>:LIMit<1 to 8>:ACPower:ACHannel:ABSolute:STATe ON | OFF

This command activates the limit check for the adjacent channel when adjacent-channel power measurement (Adjacent Channel Power) is performed. Before the command, the limit check for the channel/adjacent-channel measurement must be globally switched on using `CALC:LIM:ACP ON`.

The result can be queried with `CALCulate:LIMit:ACPower:ACHannel:RESult?`. It should be noted that a complete measurement must be performed between switching on the limit check and the result query, since otherwise no valid results are available.

The numeric suffixes <1 to 8> in LIMit are irrelevant for this command.

Example:	<code>"CALC:LIM:ACP:ACH 30DB, 30DB"</code>	'Sets the relative limit value in screen A for the power in the lower and upper adjacent channel to 30 dB below the channel power.
	<code>"CALC:LIM:ACP:ACH:ABS -35DBM, -35DBM"</code>	'Sets the absolute limit value in screen A for the power in the lower and upper adjacent channel to -35 dBm.
	<code>"CALC:LIM:ACP ON"</code>	'Switches on globally the limit check for the channel/adjacent channel measurement in screen A.
	<code>"CALC:LIM:ACP:ACH:REL:STAT ON"</code>	'Switches on the check of the relative limit values for adjacent channels in screen A.
	<code>"CALC:LIM:ACP:ACH:ABS:STAT ON"</code>	'Switches on the check of absolute limit values for the adjacent channels in screen A.
	<code>"INIT;*WAI"</code>	'Starts a new measurement and waits for the sweep end.
	<code>"CALC:LIM:ACP:ACH:RES?"</code>	'Queries the limit check result in the adjacent channels in screen A.

Characteristics: *RST value: OFF
SCPI: device-specific

Mode: A

CALCulate<1|2>:LIMit<1 to 8>:ACPpower:ACHannel:RESult?

This command queries the result of the limit check for the upper/lower adjacent channel in the selected measurement window when adjacent channel power measurement is performed.

If the power measurement of the adjacent channel is switched off, the command produces a query error.

The numeric suffixes <1 to 8> are irrelevant for this command.

Parameter: The result is returned in the form <result>, <result> where <result> = PASSED | FAILED, and where the first returned value denotes the lower, the second denotes the upper adjacent channel.

Example:

"CALC:LIM:ACP:ACH 30DB, 30DB"	'Sets the relative limit value in screen A for the power in the lower and upper adjacent channel to 30 dB below the channel power.
"CALC:LIM:ACP:ACH:ABS -35DBM, -35DBM"	Sets the absolute limit value in screen A for the power in the lower and upper adjacent channel to -35 dB.
"CALC:LIM:ACP ON"	'Switches on globally the limit check for the channel/adjacent channel measurement in screen A.
"CALC:LIM:ACP:ACH:STAT ON"	'Switches on the limit check for the adjacent channels in screen A.
"INIT;*WAI"	'Starts a new measurement and waits for the sweep end.
"CALC:LIM:ACP:ACH:RES?"	'Queries the limit check result in the adjacent channels in screen A.

Characteristics: *RST value: --
SCPI: device-specific

Mode: A

This command is a query and therefore has no *RST value.

CALCulate<1|2>:LIMit<1 to 8>:ACPower:ALTErnate<1|2>[:RELative] 0 to 100dB, 0 to 100dB.

This command defines the limit for the first/second alternate adjacent channel in the selected measurement window for adjacent channel power measurements. The reference value for the relative limit value is the measured channel power.

The numeric suffix after `ALTErnate<1|2>` denotes the first or the second alternate channel. The numeric suffixes <1 to 8> are irrelevant for this command.

It should be noted that the relative limit value has no effect on the limit check as soon as it is below the absolute limit defined with `CALCulate:LIMit:ACPower:ALTErnate<1|2>:ABSolute`. This mechanism allows automatic checking of the absolute basic values of adjacent channel power as defined in mobile radio standards.

Parameter: The first value is the limit for the lower and the upper alternate adjacent channel. The second limit value is ignored but must be indicated for reasons of compatibility with the FSE family.

Example: `"CALC:LIM:ACP:ALT2 30DB, 30DB"` 'Sets the relative limit value in screen A for the power in the lower and upper alternate adjacent channel to 30 dB below the channel power.'

Characteristics: *RST value: 0DB
SCPI: device-specific

Mode: A

CALCulate<1|2>:LIMit<1 to 8>:ACPoweR:ALTeRnate<1|2>[:RELative]:STATe ON | OFF

This command activates the limit check for the first/second alternate adjacent channel in the selected measurement window for adjacent channel power measurements. Before the command, the limit check must be activated using `CALCulate:LIMit:ACPoweR:STATe ON`.

The numeric suffix after `ALTeRnate<1|2>` denotes the first or the second alternate channel. The numeric suffixes <1 to 8> are irrelevant for this command.

The result can be queried with `CALCulate:LIMit:ACPoweR:ALTeRnate<1|2>:RESult?`. It should be noted that a complete measurement must be performed between switching on the limit check and the result query, since otherwise no valid results are obtained.

Example:

<code>"CALC:LIM:ACP:ALT2 30DB, 30DB"</code>	'Sets the relative limit value in screen A for the power in the lower and upper second alternate adjacent channel to 30 dB below the channel power.'
<code>"CALC:LIM:ACP:ALT2:ABS -35DBM, -35DBM"</code>	'Sets the absolute limit value in screen A for the power in the lower and upper second alternate adjacent channel to -35 dBm.'
<code>"CALC:LIM:ACP ON"</code>	'Switches on globally the limit check for the channel/adjacent channel measurement in screen A.'
<code>"CALC:LIM:ACP:ACH:REL:STAT ON"</code>	'Switches on the check of the relative limit values for the alternate adjacent channels in screen A.'
<code>"CALC:LIM:ACP:ACH:ABS:STAT ON"</code>	'Switches on the check of absolute limit values for the alternate adjacent channels in screen A.'
<code>"INIT;*WAI"</code>	'Starts a new measurement and waits for the sweep end.'
<code>"CALC:LIM:ACP:ACH:RES?"</code>	'Queries the limit check result in the second alternate adjacent channels in screen A.'

Characteristics: *RST value: OFF
SCPI: device-specific

Mode: A

CALCulate<1|2>:LIMit<1 to 8>:ACPover:ALternate<1|2>:ABSolute -200DBM to 200DBM,
-200DBM to .200DBM

This command defines the absolute limit value for the lower/upper alternate adjacent channel power measurement (Adjacent Channel Power) in the selected measurement window.

The numeric suffix after `ALternate<1|2>` denotes the first or the second alternate channel. The numeric suffixes <1 to 8> are irrelevant for this command.

It should be noted that the absolute limit value for the limit check has no effect as soon as it is below the relative limit value defined with `CALCulate:LIMit:ACPover:ALternate<1|2>:RELative`. This mechanism allows automatic checking of the absolute basic values defined in mobile radio standards for the power in adjacent channels.

Parameter: The first value is the limit for the lower and the upper alternate adjacent channel. The second limit value is ignored but must be indicated for reasons of compatibility with the FSE family.

Example: `"CALC:LIM:ACP:ALT2:ABS -35DBM, -35DBM"`
'Sets the absolute limit value in
'screen A for the power in the lower
'and upper second alternate
'adjacent channel to -35 dBm.

Characteristics: *RST value: -200DBM
SCPI: device-specific

Mode: A

CALCulate<1|2>:LIMit<1 to 8>:ACPpower:ALternate<1|2>:ABSolute:STATe ON | OFF

This command activates the limit check for the first/second alternate adjacent channel in the selected measurement window for adjacent channel power measurement (Adjacent Channel Power).

Before the command, the limit check must be globally switched on for the channel/adjacent channel power with the command `CALCulate:LIMit:ACPpower:STATe ON`.

The numeric suffix after `ALternate<1|2>` denotes the first or the second alternate channel. The numeric suffixes <1 to 8> are irrelevant for this command.

The result can be queried with `CALCulate:LIMit:ACPpower:ALternate<1|2>:RESult?`. It should be noted that a complete measurement must be performed between switching on the limit check and the result query, since otherwise no valid results are available.

Example:

<code>"CALC:LIM:ACP:ALT2 30DB, 30DB"</code>	'Sets the relative limit value in screen A for the power in the lower and upper second alternate adjacent channel to 30 dB below the channel power.'
<code>"CALC:LIM:ACP:ALT2:ABS -35DBM, -35DBM"</code>	'Sets the absolute limit value in screen A for the power in the lower and upper second alternate adjacent channel to -35 dBm.'
<code>"CALC:LIM:ACP ON"</code>	'Switches on globally the limit check for the channel/adjacent channel measurement in screen A.'
<code>"CALC:LIM:ACP:ACH:REL:STAT ON"</code>	Switches on the check of the relative limit values for the alternative adjacent channels in screen A.
<code>"CALC:LIM:ACP:ACH:ABS:STAT ON"</code>	'Switches on the check of absolute limit values for the alternative adjacent channels in screen A.'
<code>"INIT;*WAI"</code>	'Starts a new measurement and waits for the sweep end.'
<code>"CALC:LIM:ACP:ACH:RES?"</code>	'Queries the limit check result in the second alternate adjacent channels in screen A.'

Characteristics: *RST value: OFF
SCPI: device-specific

Mode: A

CALCulate<1|2>:LIMit<1 to 8>:ACPpower:ALternate<1|2>:RESult?

This command queries the result of the limit check for the first/second alternate adjacent channel in the selected measurement window for adjacent channel power measurements.

The numeric suffix after ALternate<1 | 2> denotes the first or the second alternate channel. The numeric suffixes <1 to 8> are irrelevant for this command.

If the power measurement of the adjacent channel is switched off, the command produces a query error.

Parameter: The result is returned in the form <result>, <result> where <result> = PASSED | FAILED and where the first (second) returned value denotes the lower (upper) alternate adjacent channel.

Example:

"CALC:LIM:ACP:ALT2 30DB, 30DB"	'Sets the relative limit value in screen A for the power in the lower and upper second alternate adjacent channel to 30 dB below the channel power.
"CALC:LIM:ACP:ALT2:ABS -35DBM, -35DBM"	'Sets the absolute limit value in screen A for the power in the lower and upper second alternate adjacent channel to -35 dBm.
"CALC:LIM:ACP ON"	'Switches on globally the limit check for the channel/adjacent channel measurement in screen A.
"CALC:LIM:ACP:ALT:STAT ON"	'Switches on the limit check for the adjacent channels in screen A.
"INIT;*WAI"	'Starts a new measurement and waits for the sweep end.
"CALC:LIM:ACP:ALT:RES?"	'Queries the limit check result in the second alternate adjacent channels in screen A.

Characteristics: *RST value: --
SCPI: device-specific

Mode: A

This command is a query and therefore has no *RST value.

CALCulate:LIMit:CONTrol Subsystem

The CALCulate:LIMit:CONTrol subsystem defines the x axis (CONTrol-axis).

COMMAND	PARAMETERS	UNIT	COMMENT
CALCulate<1 2> :LIMit<1 to 8> :CONTrol [:DATA] :DOMain :OFFSet :MODE :SHIFt	<numeric_value>,<numeric_value>.. FREQuency TIME <numeric_value> RELative ABSolute <numeric_value>	HZ S HZ S HZ S	

CALCulate<1|2>:LIMit<1 to 8>:CONTrol[:DATA] <numeric_value>,<numeric_value>..

This command defines the X axis values (frequencies or times) of the upper or lower limit lines. The values are defined independently of the measurement window.

The number of values for the CONTrol axis and for the corresponding UPPer and/or LOWEr limit lines have to be identical. Otherwise default values are entered for missing values or not required values are deleted.

In analyzer mode, the unit of values depends on the frequency or time domain of the X axis, i.e. it is HZ with CALC:LIM:CONT:DOM FREQ und S bei CALC:LIM:CONT:DOM TIME.

Example: "CALC:LIM2:CONT 1MHz,30MHz,100MHz, 300MHz,1GHz "
'Defines 5 reference values for the X axis of
'limit line 2
"CALC:LIM2:CONT? "
'Outputs the reference values for the X axis of
'limit line 2 separated by a comma.

Characteristics: *RST value: - (LIMit:STATe is set to OFF)
SCPI: conforming

Mode: A, MS, FM

CALCulate<1|2>:LIMit<1 to 8>:CONTrol:DOMain FREQuency | TIME

This command defines the frequency or time domain for the x axis values.

Example: "CALC:LIM2:CONT:DOM TIME " 'Defines the time domain for the X axis of limit
'line 2.

Characteristics: *RST value: FREQuency
SCPI: device-specific

Mode: A, MS, FM

CALCulate<1|2>:LIMit<1 to 8>:CONTRol:OFFSet <numeric_value>

This command defines an offset for the X axis value of the selected relative limit line in the frequency or time domain.

The unit of values depends on the frequency or time domain of the X axis, i.e. it is HZ with `CALC:LIM:CONT:DOM FREQ` und S bei `CALC:LIM:CONT:DOM TIME`.

Example: `"CALC:LIM2:CONT:OFFS 100us"` 'Sets the X offset for limit line 2 (defined in 'the time domain) to 100µs.

Characteristics: *RST value: 0
SCPI: device-specific

Mode: A, MS, FM

CALCulate<1|2>:LIMit<1 to 8>:CONTRol:MODE RELative | ABSolute

This command selects the relative or absolute scaling for the X axis of the selected limit line. The definition is independent of the measurement window.

Example: `"CALC:LIM2:CONT:MODE REL"` 'Defines the X axis of limit line 2 as relatively 'scaled.

Characteristics: *RST value: ABSolute
SCPI: device-specific

Mode: A, MS, FM

CALCulate<1|2>:LIMit<1 to 8>:CONTRol:SHIFt <numeric_value>

This command moves a limit line by the indicated value in x direction. In contrast to `CALC:LIM:CONT:OFFS`, the line is shifted by modifying the individual x values and not by means of an additive offset. The shift is independent of the measurement window.

In the analyzer mode, the unit of values depends on the frequency or time domain of the X axis, i.e. it is HZ with `CALC:LIM:CONT:DOM FREQ` und S bei `CALC:LIM:CONT:DOM TIME`.

Example: `"CALC:LIM2:CONT:SHIF 50KHZ"` 'Shifts all reference values of limit line 2 by '50 kHz.

Characteristics: *RST value: --
SCPI: device-specific

Mode: A, MS, FM

This command is an event and therefore has no *RST value and no query.

CALCulate:LIMit:LOWer Subsystem

The CALCulate:LIMit:LOWer subsystem defines the lower limit line.

COMMAND	PARAMETERS	UNIT	COMMENT
CALCulate<1 2> :LIMit<1 to 8> :LOWer [:DATA]	<numeric_value>,<numeric_value>..	DBM DB DEG RAD S HZ PCT	
:STATe	<Boolean>	--	
:OFFSet	<numeric_value>	DB DEG RAD S HZ PCT	
:MARGin	<numeric_value>	DB DEG RAD S HZ PCT	
:MODE	RELative ABSolute	--	
:SHIFt	<numeric_value>	DB DEG RAD S HZ PCT	
:THReshold	<numeric_value>	DBM DB DEG RAD S HZ PCT	

CALCulate<1|2>:LIMit<1 to 8>:LOWer[:DATA] <numeric_value>,<numeric_value>..

This command defines the values for the selected lower limit line independently of the measurement window.

The number of values for the CONTROL axis and for the corresponding LOWER limit line has to be identical. Otherwise default values are entered for missing values or not necessary values are deleted.

The unit must be identical with the unit selected by CALC:LIM:UNIT. If no unit is indicated, the unit defined with CALC:LIM:UNIT is automatically used.

If the measured values are smaller than the LOWER limit line, the limit check signals errors.

The units DEG, RAD, S, HZ, PCT are not available in the SPECTRUM mode.

Example:

"CALC:LIM2:LOW -30,-40,-10,-40,-30"	'Defines 5 lower limit values for limit line 2 in the preset unit.
"CALC:LIM2:LOW?"	'Outputs the lower limit values of limit line 2 separated by a comma.

Characteristics: *RST value: - (LIMit:STATe is set to OFF)
SCPI: conforming

Mode: A, MS, FM

CALCulate<1|2>:LIMit<1 to 8>:LOWer:STATe ON | OFF

This command switches on or off the indicated limit line in the selected measurement window. The limit check is activated separately with `CALC:LIM:STAT ON`.

In analyzer mode, the result of the limit check can be queried with `CALCulate:LIMit<1 to 8>:FAIL?`.

Example: `"CALC:LIM4:LOW:STAT ON"` 'Switches on limit line 4 (lower limit) in
'screen A.
 `"CALC2:LIM4:LOW:STAT ON"` 'Switches on limit line 4 (lower limit) also in
'screen B.

Characteristics: *RST value: OFF
 SCPI: conforming

Mode: A, MS, FM

CALCulate<1|2>:LIMit<1 to 8>:LOWer:OFFSet <numeric_value>

This command defines an offset for the Y axis of the selected relative lower limit line. In contrast to `CALC:LIM:LOW:SHIFT`, the line is not shifted by modifying the individual Y values but by means of an additive offset. The offset is independent of the measurement window.

Example: `"CALC:LIM2:LOW:OFFS 3dB"` 'Shifts limit line 2 in the corresponding
'measurement windows by 3 dB upwards.

Characteristics: *RST value: 0
 SCPI: device-specific

Mode: A, MS, FM

CALCulate<1|2>:LIMit<1 to 8>:LOWer:MARGin <numeric_value>

This command defines a margin to a lower limit line, at which out-of-limit values are signalled (if the limit check is active), but not handled as a violation of the limit value. The margin is independent of the measurement window.

Only the unit dB is available in spectrum analysis mode.

Example: `"CALC:LIM:LOW:MARG 10dB"`

Characteristics: *RST value: 0
 SCPI: device-specific

Mode: A, MS, FM

CALCulate<1|2>:LIMit<1 to 8>:LOWer:MODE RELative | ABSolute

This command selects the relative or absolute scaling for the Y axis of the selected lower limit line. The setting is independent of the measurement window.

Selecting RELative causes the unit to be switched to DB.

Example: `"CALC:LIM:LOW:MODE REL"` 'Defines the Y axis of limit line 2 as relative
'scaled.

Characteristics: *RST value: ABSolute
 SCPI: device-specific

Mode: A, MS, FM

CALCulate<1|2>:LIMit<1 to 8>:LOWer:SHIFt <numeric_value>

This command shifts a limit line by the indicated value in Y direction. In contrast to `CALC:LIM:LOW:OFFS`, the line is shifted by modifying the individual Y values but not by means of an additive offset. The shift is independent of the measurement window.

Example: `"CALC:LIM3:LOW:SHIF 20DB"` 'Shifts all Y values of limit line 3 by 20 dB.

Characteristics: *RST value: --
SCPI: device-specific

Mode: A, MS, FM

This command is an event and therefore has no *RST value and no query.

CALCulate<1|2>:LIMit<1 to 8>:LOWer:THReshold <numeric_value>

This command defines an absolute threshold value for limit lines with relative Y axis scaling independently of the measurement window. The absolute threshold value is used in the limit check as soon as it exceeds the relative limit value.

The unit must correspond to the unit selected with `CALC:LIM:UNIT` (except dB which is not allowed). If no unit is indicated, the unit defined with `CALC:LIM:UNIT` is automatically used (exception: dBm instead of dB).

The units DEG, RAD, S, HZ, PCT are not available in the *SPECTRUM* mode.

Example: `"CALC:LIM2:LOW:THR -35DBM"` 'Defines an absolute threshold value for limit line 2.

Characteristics: *RST value: -200 dBm
SCPI: device-specific

Mode: A, MS, FM

CALCulate:LIMit:UPPer Subsystem

The CALCulate:LIMit:UPPer subsystem defines the upper limit line.

COMMAND	PARAMETERS	UNIT	COMMENT
CALCulate<1 2> :LIMit<1 to 8> :UPPer [:DATA]	<numeric_value>,<numeric_value>..	DBM DB DEG RAD S HZ PCT	
:STATe	<Boolean>	--	
:OFFSet	<numeric_value>	DB DEG RAD S HZ PCT	
:MARGin	<numeric_value>	DB DEG RAD S HZ PCT	
:MODE	RELative ABSolute	--	
:SHIFt	<numeric_value>	DB DEG RAD S HZ PCT	
:THReshold	<numeric_value>	DBM DB DEG RAD S HZ PCT	

CALCulate<1|2>:LIMit<1 to 8>:UPPer[:DATA] <numeric_value>,<numeric_value>..

This command defines the values for the upper limit lines independently of the measurement window.

The number of values for the CONTROL axis and for the corresponding UPPER and/or LOWER limit line have to be identical. Otherwise default values are entered for missing values or not necessary values are deleted.

The unit must be identical with the unit selected by CALC : LIM : UNIT. If no unit is indicated, the unit defined with CALC : LIM : UNIT is automatically used.

The units DEG, RAD, S, HZ, PCT are not available in SPECTRUM mode.

In analyzer mode, the limit check signals errors if the measured values exceed the UPPER limit line.

Example: "CALC:LIM2:UPP -10,0,0,-10,-5" 'Defines 5 upper limit values for limit 'line 2 in the preset unit.

"CALC:LIM2:UPP?" 'Outputs the upper limit values for limit line 2 'separated by a comma.

Characteristics: *RST value: - (LIMit:STATe is set to OFF)
SCPI: conforming

Mode: A, MS, FM

CALCulate<1|2>:LIMit<1 to 8>:UPPer:STATe ON | OFF

This command switches on or off the indicated limit line in the selected measurement window. The limit check is activated separately with `CALC:LIM:STAT ON`.

In analyzer mode, the result of the limit check can be queried with `CALCulate:LIMit<1 to 8>:FAIL?`.

Example: `"CALC1:LIM4:UPP:STAT ON"` 'Switches on limit line 4 (upper limit) in 'screen A.
 `"CALC2:LIM4:UPP:STAT ON"` 'Switches on limit line 4 (upper limit) in 'screen B.

Characteristics: *RST value: OFF
 SCPI: conforming

Mode: A, MS, FM

CALCulate<1|2>:LIMit<1 to 8>:UPPer:OFFSet <numeric_value>

This command defines an offset for the Y axis of the selected relative upper limit line. In contrast to `CALC:LIM:UPP:SHIFt`, the line is not shifted by modifying the individual Y values but by means of an additive offset. The offset is independent of the measurement window.

Only the unit dB is available in the spectrum analysis mode.

Example: `"CALC:LIM2:UPP:OFFS 3dB"` 'Shifts limit line 2 by 3 dB upwards in the 'corresponding measurement windows.

Characteristics: *RST value: 0
 SCPI: device-specific

Mode: A, MS, FM

CALCulate<1|2>:LIMit<1 to 8>:UPPer:MARGin <numeric_value>

This command defines a margin to an upper limit line, at which out-of-limit values are signalled (if the limit check is active), but not handled as a violation of the limit value. The margin is independent of the measurement window.

Only the unit dB is available in *SPECTRUM* mode.

Example: `"CALC:LIM2:UPP:MARG 10dB"` 'Defines the margin of limit line 2 to 10 dB 'below the limit value.

Characteristics: *RST value: 0
 SCPI: device-specific

Mode: A, MS, FM

CALCulate<1|2>:LIMit<1 to 8>:UPPer:MODE RELative | ABSolute

This command selects the relative or absolute scaling for the Y axis of the selected upper limit line. The setting is independent of the measurement window.

Selecting RELative causes the unit to be switched to DB.

Example: "CALC:LIM2:UPP:MODE REL" 'Defines the Y axis of limit line 2 as relative scaled.

Characteristics: *RST value: ABSolute
SCPI: device-specific

Mode: A, MS, FM

CALCulate<1|2>:LIMit<1 to 8>:UPPer:SHIFt <numeric_value>

This command moves a limit line by the indicated value in Y direction. In contrast to CALC:LIM:UPP:OFFS, the line is shifted by modifying the individual Y values and not by means of an additive offset. The shift is independent of the measurement window.

Only the unit dB is available in the spectrum analysis mode.

Example: "CALC:LIM3:UPP:SHIF 20DB" 'Shifts all Y values of limit line 3 by 20 dB.

Characteristics: *RST value: --
SCPI: device-specific

Mode: A, MS, FM

This command is an event and therefore has no *RST value and no query.

CALCulate<1|2>:LIMit<1 to 8>:UPPer:THReshold <numeric_value>

This command defines an absolute threshold value for limit lines with relative Y axis scaling independently of the measurement window. The absolute threshold value is used in the limit check as soon as it exceeds the relative limit value.

The unit must correspond to the unit selected with CALC:LIM:UNIT (except dB which is not possible). If no unit is indicated, the unit defined with CALC:LIM:UNIT is automatically used (exception: dBm instead of dB).

The units DEG, RAD, S, HZ, PCT are not available in the SPECTRUM mode.

Example: "CALC:LIM2:UPP:THR -35DBM" 'Defines an absolute threshold value for limit line 2.

Characteristics: *RST value: -200 dBm
SCPI: device-specific

Mode: A, MS, FM

CALCulate:MARKer Subsystem

The CALCulate:MARKer subsystem checks the marker functions in the instrument. The measurement windows are assigned to CALCulate 1 (screen A) or 2 (screen B).

COMMAND	PARAMETERS	UNIT	COMMENT
CALCulate<1 2>			
:MARKer<1 to 4>			
[:STATe]	<Boolean>	--	
:AOFF			no query
:TRACe	<numeric_value>	--	
:X	<numeric_value>	HZ S DBM DB	
:SLIMits			
[:STATe]	<Boolean>	--	
:LEFT	<numeric_value>	HZ S	
:RIGHT	<numeric_value>	HZ S	
:COUNt	<Boolean>	--	
:RESolution	<numeric_value>	HZ	
:FREQuency?	--	--	query only
:LOEXclude	<Boolean>	--	
:Y?	--	--	query only
:PERCent	<numeric_value>	PCT	
:MAXimum		--	
[:PEAK]	--	--	no query
:NEXT	--	--	no query
:RIGHT	--	--	no query
:LEFT	--	--	no query
:MINimum			
[:PEAK]	--	--	no query
:NEXT	--	--	no query
:RIGHT	--	--	no query
:LEFT	--	--	no query
:PEXCursion	<numeric_value>	DB	

CALCulate<1|2>:MARKer<1 to 4>[:STATe] ON | OFF

This command switches on or off the currently selected marker in the selected measurement window. If no indication is made, marker 1 is selected automatically. If marker 2, 3 or 4 is selected and used as a delta marker, it is switched to marker mode.

Example: "CALC:MARK3 ON" 'Switches marker 3 in screen A on or to marker mode.

Characteristics: *RST value: OFF
SCPI: device-specific

Mode: A, MS, FM

CALCulate<1|2>:MARKer<1 to 4>:AOFF

This command switches off all active markers in the selected measurement window. All delta markers and active marker/delta marker measurement functions are switched off.

Example: "CALC:MARK:AOFF" 'Switches off all markers in screen A.

Characteristics: *RST value: -
SCPI: device-specific

Mode: A, MS, FM

This command is an event and therefore has no *RST value and no query.

CALCulate<1|2>:MARKer<1 to 4>:TRACe 1 to 3

This command assigns the selected marker (1 to 4) to the indicated measurement curve in the selected measurement window. The corresponding trace must be active, i.e. its status must be different from "BLANK".

If necessary the corresponding marker is switched on prior to the assignment.

Example: "CALC:MARK3:TRAC 2" 'Assigns marker 3 in screen A to trace 2.

"CALC2:MARK:TRAC 3" 'Assigns marker 1 in screen B to trace 3.

Characteristics: *RST value -
SCPI: device-specific

Mode: A, MS, FM

CALCulate<1|2>:MARKer<1 to 4>:X 0 to MAX (frequency | sweep time)

This command positions the selected marker to the indicated frequency (span > 0), time (span = 0) or level (APD measurement or CCDF measurement ON) in the selected measurement window. If marker 2, 3 or 4 is selected and used as delta marker, it is switched to marker mode.

Example: "CALC1:MARK2:X 10.7MHz" 'Positions marker 2 in screen A to frequency
'10.7 MHz.

Characteristics: *RST value: -
SCPI: device-specific

Mode: A, MS, FM

CALCulate<1|2>:MARKer<1 to 4>:X:SLIMits[:STATE] ON | OFF

This command switches between a limited (ON) and unlimited (OFF) search range in the selected measurement window. The function is independent of the selection of a marker, i.e. the numeric suffix MARKer<1 to 4> is irrelevant.

If the time domain power measurement is active, this command limits the evaluation range on the trace.

Example: "CALC:MARK:X:SLIM ON" 'Switches on search limitation in screen A.

Characteristics: *RST value: OFF
SCPI: device-specific

Mode: A, MS, FM

CALCulate<1|2>:MARKer<1 to 4>:X:SLIMits:LEFT 0 to MAX (frequency | sweep time)

This command sets the left limit of the search range for markers and delta markers in the selected measurement window. Depending on the x axis domain the indicated value defines a frequency (span > 0) or time (span = 0). The function is independent of the selection of a marker, i.e. the numeric suffix in MARKer<1 to 4> is irrelevant.

If the time domain power measurement is active, this command limits the evaluation range to the trace.

Note: *The function is only available if the search limit for marker and delta marker is switched on (CALC:MARK:X:SLIM ON).*

Example: "CALC:MARK:X:SLIM ON" 'Switches the search limit function on for screen A.

"CALC:MARK:X:SLIM:LEFT 10MHz" 'Sets the left limit of the search range in screen A to 10 MHz.

Characteristics: *RST value: - (is set to the left diagram border on switching on search limits)
SCPI: device-specific

Mode: A, MS, FM

CALCulate<1|2>:MARKer<1 to 4>:X:SLIMits:RIGHT 0 to MAX (frequency | sweep time)

This command sets the right limit of the search range for markers and delta markers in the selected measurement window. Depending on the x axis domain the indicated value defines a frequency (span > 0) or time (span = 0). The function is independent of the selection of a marker, i.e. the numeric suffix in MARKer<1 to 4> is irrelevant.

If the time domain power measurement is active, this command limits the evaluation range to the trace.

Note: *The function is only available if the search limit for marker and delta marker is switched on (CALC:MARK:X:SLIM ON).*

Example: "CALC:MARK:X:SLIM ON" 'Switches the search limit function on for screen A.

"CALC:MARK:X:SLIM:RIGH 20MHz" 'Sets the right limit of the search range in screen A to 20 MHz.

Characteristics: *RST value: - is set to the right diagram border on switching on search limits)
SCPI: device-specific

Mode: A, MS, FM

CALCulate<1|2>:MARKer<1 to 4>:COUNT ON | OFF

This command switches on or off the frequency counter at the marker position in the selected measurement window. The count result is queried with `CALCulate:MARKer:COUNT:FREQUENCY?`.

Frequency counting is possible only for one marker at a time for each measurement window. If it is activated for another marker, it is automatically de-activated for the previous marker.

It should be noted that a complete sweep must be performed after switching on the frequency counter to ensure that the frequency to be measured is actually reached. The synchronization to the sweep end required for this is possible only in single-sweep mode.

Note: This command is not available for GSM MS measurements modulation accuracy (MAC), phase/frequency error (PFE) and power versus time (PVT).

Example:

"INIT:CONT OFF"	'Switches to single-sweep mode.
"CALC:MARK ON"	'Switches on marker 1 in screen A.
"CALC:MARK:COUN ON"	'Switches on the frequency counter for marker 1.
"INIT;*WAI"	'Starts a sweep and waits for the end.
"CALC:MARK:COUN:FREQ?"	'Outputs the measured value in screen A.

Characteristics: *RST value: OFF
SCPI: device-specific

Mode: A, MS

CALCulate<1|2>:MARKer<1 to 4>:COUNT:RESolution 0.1 | 1 | 10 | 100 | 1000 | 10000 Hz

This command specifies the resolution of the frequency counter in the selected measurement window. The setting is independent of the selected marker, i.e. the numeric suffix in `MARKer<1 to 4>` is irrelevant.

Note: This command is not available for GSM MS measurements modulation accuracy (MAC), phase/frequency error (PFE) and power versus time (PVT).

Example:

"CALC:MARK:COUN:RES 1kHz"	'Sets the resolution of the frequency counter to 1 kHz.
---------------------------	---

Characteristics: *RST value: 1kHz
SCPI: device-specific

Mode: A, MS

CALCulate<1|2>:MARKer<1 to 4>:COUNT:FREQUENCY?

This command queries the result of the frequency counter for the indicated marker in the selected measurement window. Before the command, the frequency counter should be switched on and a complete measurement performed to obtain a valid count result. Therefore, a single sweep with synchronization must be performed between switching on the frequency counter and querying the count result.

Note: This command is not available for GSM MS measurements modulation accuracy (MAC), phase/frequency error (PFE) and power versus time (PVT).

Example:

"INIT:CONT OFF"	'Switches to single-sweep mode.
"CALC:MARK2 ON"	'Switches marker 2 in screen A.
"CALC:MARK2:COUN ON"	'Switches the frequency counter for marker 2.
"INIT;*WAI"	'Starts a sweep and waits for the end.
"CALC:MARK2:COUN:FREQ?"	'Outputs the measured value of marker 2 in screen A.

Characteristics: *RST value: -
SCPI: device-specific

Mode: A, MS

This command is only a query and therefore has no *RST value.

CALCulate<1|2>:MARKer<1 to 4>:LOEXclude ON | OFF

This command switches the local oscillator suppression for peak search on or off. This setting is valid for all markers and delta markers in all measurement windows.

Example: "CALC:MARK:LOEX ON"

Characteristics: *RST value: ON
SCPI: device-specific

Mode: A-F, MS, FM

The numeric suffixes 1|2 and 1 to 4 are irrelevant.

CALCulate<1|2>:MARKer<1 to 4>:Y?

This command queries the measured value of the selected marker in the selected measurement window. The corresponding marker is activated before or switched to marker mode, if necessary.

To obtain a valid query result, a complete sweep with synchronization to the sweep end must be performed between the activation of the marker and the query of the y value. This is only possible in single sweep mode.

The query result is output in the unit determined with CALCulate:UNIT.

In the default setting, the output is made depending on the unit determined with CALC:UNIT; only with linear level scaling is the output in %.

If the FM Demodulator (FS-K7) is activated, the query result is output in the following units:

- Result display FM: Hz
- Result display RF POWER LOG: dBm
- Result display RF POWER LIN: %
- Result display SPECTRUM LOG: dBm
- Result display SPECTRUM LIN: %

Example: "INIT:CONT OFF" 'Switches to single-sweep mode.
"CALC:MARK2 ON" 'Switches marker 2 in screen A.
"INIT;*WAI" 'Starts a sweep and waits for the end.
"CALC:MARK2:Y?" 'Outputs the measured value of marker 2 in screen A.

Characteristics: *RST value: -
SCPI: device-specific

Mode: A, MS, FM

CALCulate<1|2>:MARKer<1 to 4>:Y:PERCent 0 to100%

This command positions the selected marker in the selected window to the given probability. If marker 2, 3 or 4 is selected and used as a delta marker, it is switched to marker mode.

Note: The command is only available with the CCDF measurement switched on.
The associated level value can be determined with the CALC:MARK:X? command.

Example: "CALC1:MARK:Y:PERC 95PCT" 'Positions marker 1 in screen A to a probability of 95%.

Characteristics: *RST value: -
SCPI: device-specific

Mode: A

CALCulate<1|2>:MARKer<1 to 4>:MAXimum[:PEAK]

This command positions the marker to the current maximum value of the corresponding trace in the selected measurement window. The corresponding marker is activated first or switched to the marker mode.

Note: *If no maximum value is found on the trace (level spacing to adjacent values < peak excursion), an execution error (error code: -200) is produced.*

Example: "CALC:MARK2:MAX" 'Positions marker 2 in screen A to the maximum value of the trace.

Characteristics: *RST value: -
SCPI: device-specific

Mode: A, MS, FM

This command is an event and therefore has no *RST value and no query.

CALCulate<1|2>:MARKer<1 to 4>:MAXimum:NEXT

This command positions the marker to the next smaller maximum value of the corresponding trace in the selected measurement window.

Note: *If no next smaller maximum value is found on the trace (level spacing to adjacent values < peak excursion), an execution error (error code: -200) is produced.*

Example: "CALC:MARK2:MAX:NEXT" 'Positions marker 2 in screen A to the next lower maximum value.

Characteristics: *RST value: -
SCPI: device-specific

Mode: A, MS, FM

This command is an event and therefore has no *RST value and no query.

CALCulate<1|2>:MARKer<1 to 4>:MAXimum:RIGHT

This command positions the marker to the next smaller maximum value to the right of the current value (i.e. in ascending X values) on the corresponding trace in the selected measurement window.

Note: *If no next smaller maximum value is found on the trace (level spacing to adjacent values < peak excursion), an execution error (error code: -200) is produced.*

Example: "CALC:MARK2:MAX:RIGHT" 'Positions marker 2 in screen A to the next lower maximum value to the right of the current value.

Characteristics: *RST value: -
SCPI: device-specific

Mode: A, MS, FM

This command is an event and therefore has no *RST value and no query.

CALCulate<1|2>:MARKer<1 to 4>:MAXimum:LEFT

This command positions the marker to the next smaller maximum value to the left of the current value (i.e. in descending X values) on the trace in the selected measurement window.

Note: *If no next smaller maximum value is found on the trace (level spacing to adjacent values < peak excursion), an execution error (error code: -200) is produced.*

Example: "CALC:MARK2:MAX:LEFT" 'Positions marker 2 in screen A to the next
'lower maximum value to the left of the current
'value.

Characteristics: *RST value: -
SCPI: device-specific

Mode: A, BTS; MS, FM

This command is an event and therefore has no *RST value and no query.

CALCulate<1|2>:MARKer<1 to 4>:MINimum[:PEAK]

This command positions the marker to the current minimum value of the corresponding trace in the selected measurement window. The corresponding marker is activated first or switched to marker mode, if necessary.

Note: *If no minimum value is found on the trace (level spacing to adjacent values < peak excursion), an execution error (error code: -200) is produced.*

Example: "CALC:MARK2:MIN" 'Positions marker 2 in screen A to the minimum value of
'the trace.

Characteristics: *RST value: -
SCPI: device-specific

Mode: A, MS, FM

This command is an event and therefore has no *RST value and no query.

CALCulate<1|2>:MARKer<1 to 4>:MINimum:NEXT

This command positions the marker to the next higher minimum value of the corresponding trace in the selected measurement window.

Note: *If no next higher minimum value is found on the trace (level spacing to adjacent values < peak excursion), an execution error (error code: -200) is produced.*

Example: "CALC:MARK2:MIN:NEXT" 'Positions marker 2 in screen A to the next
'higher maximum value.

Characteristics: *RST value: -
SCPI: device-specific

Mode: A, MS, FM

This command is an event and therefore has no *RST value and no query.

CALCulate<1|2>:MARKer<1 to 4>:MINimum:RIGHT

This command positions the marker to the next higher minimum value to the right of the current value (i.e. in ascending X direction) on the corresponding trace in the selected measurement window.

Note: *If no next higher minimum value is found on the trace (level spacing to adjacent values < peak excursion), an execution error (error code: -200) is produced.*

Example: "CALC:MARK2:MIN:RIGHT" 'Positions marker 2 in screen A to the next
'higher minimum value to the right of the
'current value.

Characteristics: *RST value: -
SCPI: device-specific

Mode: A, MS, FM

This command is an event and therefore has no *RST value and no query.

CALCulate<1|2>:MARKer<1 to 4>:MINimum:LEFT

This command positions the marker to the next higher minimum value to the left of the current value (i.e. in descending X direction) on the corresponding trace in the selected measurement window.

Note: *If no next higher minimum value is found on the trace (level spacing to adjacent values < peak excursion), an execution error (error code: -200) is produced.*

Example: "CALC:MARK2:MIN:LEFT" 'Positions marker 2 in screen A to the next
'higher minimum value to the left of the
'current value.

Characteristics: *RST value: -
SCPI: device-specific

Mode: A, MS, FM

This command is an event and therefore has no *RST value and no query.

CALCulate<1|2>:MARKer<1 to 4>:PEXCursion <numeric_value>

This command defines the peak excursion., i.e. the spacing below a trace maximum which must be attained before a new maximum is recognized, or the spacing above a trace minimum which must be attained before a new minimum is recognized. The set value is valid for all markers and delta markers. The unit depends on the selected operating mode.

Example: "CALC:MARK:PEXC 10dB" 'Defines peak excursion 10 dB in
'SPECTRUM mode
"CALC:MARK:PEXC 100 HZ" Defines peak excursion 100 Hz in
'FM DEMOD mode

Characteristics: *RST value: 6dB
SCPI: device-specific

Mode: A, MS, FM

The numeric suffix in MARKer<1 to 4> is irrelevant.

CALCulate:MARKer:FUNcTion:ADEMod Subsystem

The CALCulate:MARKer:FUNcTion:ADEMod subsystem contains the marker functions for the Option FM Demodulator FS-K7.

COMMAND	PARAMETERS	UNIT	COMMENT
CALCulate<1 2> :MARKer :FUNcTion :ADEMod :FM [:RESult<1 to 3>?] :AFRequency [:RESult<1 to 3>?] :FERRor [:RESult<1 to 3>?] :CARRier [:RESult<1 to 3>?]	PPEak MPEak MIDDle RMS		Option FM Demodulator query only query only query only query only

**CALCulate<1|2>:MARKer<1 to 4>:FUNcTion:ADEMod:FM[:RESult<1 to 3>]?
PPEak | MPEak | MIDDle | RMS**

This command queries the results of FM modulation measurement. The numeric suffix marks the selected trace 1 to 3.

PPEak Result of measurement with detector +PK
MPEak Result of measurement with detector -PK
MIDDle Result of averaging ±PK/2
RMS Result of rms measurement

Example: "CALC:MARK:FUNC:ADEM:FM? PPE" 'Queries the peak value.

Characteristics: *RST value: -
SCPI: device-specific

Mode: FM

This command is only available with Option FS-K7 (FM Demodulator).

CALCulate<1|2>:MARKer<1 to 4>:FUNcTion:ADEMod:AFRequency[:RESult<1 to 3>]?

This command queries the audio frequency with analog demodulation. The numeric suffix marks the selected trace 1 to 3.

Example: "CALC:MARK:FUNC:ADEM:AFR? " 'Queries the audio frequency

Characteristics: *RST value: -
SCPI: device-specific

Mode: FM

This command is only available with Option FS-K7 (FM Demodulator).

CALCulate<1|2>:MARKer<1 to 4>:FUNCtion:ADEMod:FERRor[:RESult<1 to 3>]?

This command queries the frequency error with FM demodulation. The numeric suffix marks the selected trace 1 to 3.

The offset thus determined differs from that calculated in the command [SENSe:]ADEMod:FM:OFFSet?, since, for determination of the frequency deviation, the modulation is removed by means of lowpass filtering, producing results that are different from those obtained by averaging with the SENSe:...command.

This command is only available for traces in the Result Display FM.

Example: "CALC:MARK:FUNC:ADEM:FERR? " 'Queries the frequency error of trace 1

Characteristics: *RST value: -
SCPI: device-specific

Mode: FM

This command is only available with option FS-K7 (FM Demodulator).

CALCulate<1|2>:MARKer<1 to 4>:FUNCtion:ADEMod:CARRier[:RESult<1 to 3>]?

This command queries the carrier power.

With result display FM and SPECTRUM, the carrier power is determined from the current trace data (CLR/WRITE trace).

With result display RF Power, the carrier power is determined from trace 1 to 3 indicated in the numeric suffix.

Example: "CALC:MARK:FUNC:ADEM:CARR? " 'Queries the carrier power

Characteristics: *RST value: -
SCPI: device-specific

Mode: FM

This command is only a query and therefore has no *RST value. It is only available with option FS-K7 (FM demodulator).


```
"CALC:MARK:FUNC:FPE:SORT X" ' sets the sort mode to increasing
                               ' X values
"CALC:MARK:FUNC:FPE 3" ' searches the 3 highest maxima for trace 1
"CALC:MARK:FUNC:COUN?" ' queries the number of maxima found
"CALC:MARK:FUNC:Y?" ' queries the level of maxima found
"CALC:MARK:FUNC:X?" ' queries the frequencies (span <> 0) or
                    ' time (span = 0) of maxima found.
```

Characteristics: *RST value: --
SCPI: device-specific

Mode: A

CALCulate<1|2>:MARKer<1 to 4>:FUNCTION:FPEaks:COUNT?

This query reads out the number of maxima found during the search. If no search for maxima has been performed, 0 is returned.

Example: "CALC:MARK:FUNC:FPE 3" ' searches the 3 highest maxima for trace 1
"CALC:MARK:FUNC:COUN?" ' queries the number of maxima found

Characteristics: *RST value: --
SCPI: device-specific

Mode: A

CALCulate<1|2>:MARKer<1 to 4>:FUNCTION:FPEaks:X?

This query reads out the list of X values of the maxima found. The number of available values can be queried with CALC:MARK:FUNC:FPEaks:COUNT?.

With sort mode X, the X values are in increasing order; with sort mode Y the order corresponds to the decreasing order of the Y values.

Example: "CALC:MARK:FUNC:FPE:SORT Y" ' sets the sort mode to decreasing y values
"CALC:MARK:FUNC:FPE 3" searches the 3 highest maxima for trace 1
"CALC:MARK:FUNC:COUN?" ' queries the number of maxima found
"CALC:MARK:FUNC:X?" ' queries the frequencies (span <> 0) or
' time (span = 0) of the maxima found.

Returned values:

```
"107.5E6,153.8E6,187.9E6" ' frequencies in increasing order
"2.05E-3,2.37E-3, 3.71e-3" ' times in increasing order
```

Characteristics: *RST value: --
SCPI: device-specific

Mode: A

CALCulate<1|2>:MARKer<1 to 4>:FUNCTION:FPEaks:Y?

This query reads out the list of X values of the maxima found. The number of available values can be queried with `CALC:MARK:FUNC:FPEaks:COUNT?`.

With sort mode X, the X values are in increasing order; with sort mode Y the order corresponds to the decreasing order of the Y values.

Example: `"CALC:MARK:FUNC:FPE:SORT Y"` ' sets the sort mode to decreasing y values
`"CALC:MARK:FUNC:FPE 3"` ' searches the 3 highest maxima for trace 1
`"CALC:MARK:FUNC:COUN?"` ' queries the number of maxima found
`"CALC:MARK:FUNC:Y?"` ' queries the levels of the maxima found.

Return value:

`"-37.5, -58.3, -59.6"` ' level in decreasing order

Characteristics: *RST value: --
 SCPI: device-specific

Mode: A

CALCulate<1|2>:MARKer<1 to 4>:FUNCTION:FPEaks:SORT X|Y

This command sets the sort mode for the search for maxima:

X the maxima are sorted in the list of responses according to increasing X values
 Y the maxima are sorted in the list of responses according to decreasing Y values

Example: `"CALC:MARK:FUNC:FPE:SORT Y"` ' sets the sort mode to decreasing y values

Characteristics: *RST value: --
 SCPI: device-specific

Mode: A

CALCulate<1|2>:MARKer<1 to 4>:FUNCTION:NDBDown <numeric_value>

This command defines the level spacing of the two delta markers to the right and left of marker 1 in the selected measurement window. Marker 1 is always used as the reference marker. The numeric suffix <1 to 4> is irrelevant for this command.

The temporary markers T1 and T2 are positioned by n dB below the active reference marker. The frequency spacing of these markers can be queried with `CALCulate:MARKer:FUNCTION:NDBDown:RESult?`.

Note:

This command is not available for GSM MS measurements modulation accuracy (MAC), phase/frequency error (PFE) and power versus time (PVT).

Example: `"CALC:MARK:FUNC:NDBD 3dB"` 'Sets the level spacing in screen A to 3 dB.

Characteristics: *RST value: 6dB
 SCPI: device-specific

Mode: A, MS

CALCulate<1|2>:MARKer<1 to 4>:FUNCtion:NDBDown:STATe ON | OFF

This command switches the "N dB Down" function on or off in the selected measurement window. Marker 1 is activated first, if necessary. The numeric suffix <1 to 4> is irrelevant for this command.

Note: This command is not available for GSM MS measurements modulation accuracy (MAC), phase/frequency error (PFE) and power versus time (PVT).

Example: "CALC:MARK:FUNC:NDBD:STAT ON" 'Switches on the N-dB-down function in 'screen A.

Characteristics: *RST value: OFF
SCPI: device-specific

Mode: A, MS

CALCulate<1|2>:MARKer<1 to 4>:FUNCtion:NDBDown:RESult?

This command queries the frequency spacing (bandwidth) of the N-dB-down markers in the selected measurement window. The numeric suffix <1 to 4> is irrelevant for this command.

A complete sweep with synchronization to sweep end must be performed between switching on the function and querying the measured value in order to obtain a valid query result. This is only possible in single sweep mode.

Note: This command is not available for GSM MS measurements modulation accuracy (MAC), phase/frequency error (PFE) and power versus time (PVT).

Example: "INIT:CONT OFF" 'Switches to single-sweep mode.
"CALC:MARK:FUNC:NDBD ON" 'Switches on the n-dB-down function in 'screen A.
"INIT;*WAI" 'Starts a sweep and waits for the end.
"CALC:MARK:FUNC:NDBD:RES?" 'Outputs the measured value of screen A.

Characteristics: *RST value: -
SCPI: device-specific

Mode: A, MS

This command is only a query and therefore has no *RST value.

CALCulate<1|2>:MARKer<1 to 4>:FUNCtion:NDBDown:FREQUency?

This command queries the two frequencies of the N-dB-down marker in the selected measurement window. The numeric suffix <1 to 4> is irrelevant for this command. The two frequency values are separated by comma and output in ascending order.

A complete sweep with synchronization to sweep end must be performed between switching on the function and querying the measured value to obtain a valid query result. This is only possible in single sweep mode.

Note: *This command is not available for GSM MS measurements modulation accuracy (MAC), phase/frequency error (PFE) and power versus time (PVT).*

Example:

"INIT:CONT OFF"	'Switches to single-sweep mode.
"CALC:MARK:FUNC:NDBD ON"	'Switches on the n-dB-down function in screen A.
"INIT;*WAI"	'Starts a sweep and waits for the end.
"CALC:MARK:FUNC:NDBD:FREQ?"	'Outputs the frequencies of the temporary markers in screen A.

Characteristics: *RST value: -
SCPI: device-specific

Mode: A, MS

This command is only a query and therefore has no *RST value.

CALCulate<1|2>:MARKer<1 to 4>:FUNCtion:ZOOM <numeric_value>

This command defines the range to be zoomed around marker 1 in the selected measurement window. Marker 1 is activated first, if necessary.

The subsequent frequency sweep is stopped at the marker position and the frequency of the signal is counted. This frequency becomes the new center frequency, and the zoomed span is set. In order to recognize the end of the operation the synchronization to the sweep end should be activated. This is only possible in single sweep mode.

Example:

"INIT:CONT OFF"	'Switches to single-sweep mode
"CALC:MARK:FUNC:ZOOM 1kHz;*WAI"	'Activates zooming in screen A and waits for its end.

Characteristics: *RST value: -
SCPI: device-specific

Mode: A-F

This command is an event and therefore has no *RST value and no query.

CALCulate<1|2>:MARKer<1 to 4>:FUNCTION:NOISe[:STATe] ON | OFF

This command switches the noise measurement on or off for all markers of the indicated measurement window. The noise power density is measured at the position of the markers. The result can be queried with `CALCulate:MARKer:FUNCTION:NOISe:RESult?`.

Note: This command is not available for GSM MS measurements modulation accuracy (MAC), phase/frequency error (PFE) and power versus time (PVT).

Example: `"CALC2:MARK:FUNC:NOIS ON"` 'Switches on the noise measurement for 'screen B.

Characteristics: *RST value: OFF
SCPI: device-specific

Mode: A, MS

CALCulate<1|2>:MARKer<1 to 4>:FUNCTION:NOISe:RESult?

This command queries the result of the noise measurement.

A complete sweep with synchronization to the sweep end must be performed between switching on the function and querying the measured value in order to obtain a valid query result. This is only possible in single sweep mode.

Note: This command is not available for GSM MS measurements modulation accuracy (MAC), phase/frequency error (PFE) and power versus time (PVT).

Example: `"INIT:CONT OFF"` 'Switches to single-sweep mode.
 `"CALC:MARK2 ON"` 'Switches on marker 2 in screen A.
 `"CALC:MARK:FUNC:NOIS ON"` 'Switches on noise measurement in screen A.
 `"INIT;*WAI"` 'Starts a sweep and waits for the end.
 `"CALC:MARK2:NOIS:RES?"` 'Outputs the noise result of marker 2 in 'screen A.

Characteristics: *RST value: -
SCPI: device-specific

Mode: A, MS

This command is an event and therefore has no *RST value and no query.

CALCulate<1|2>:MARKer<1 to 4>:FUNCTION:DEModulation:SElect AM | FM

This command selects the demodulation type for the audio demodulator. The command is independent of the measurement window and of the selected marker, i.e. suffixes 1|2 and 1 to 4 are irrelevant.

This command is only available with the audio demodulator option FSP-B3.

Example: `"CALC:MARK:FUNC:DEM:SEL FM"`

Characteristics: *RST value: AM
SCPI: device-specific

Mode: A, MS

CALCulate<1|2>:MARKer<1 to 4>:FUNCtion:DEModulation[:STATe] ON | OFF

This command switches on or off the audio demodulator when the indicated marker is reached in the selected measurement window. In the frequency domain (span > 0) the hold time can be defined at the corresponding marker position with `CALCulate:MARKer:FUNCtion:DEModulation:HOLD`. In the time domain (span = 0) the demodulation is permanently active.

The command is only available with option audio demodulator FSP-B3.

Example: "`CALC2:MARK3:FUNC:DEM ON`" 'Switches on the demodulation for marker 3 in screen B.

Characteristics: *RST value: OFF
 SCPI: device-specific

Mode: A, MS

CALCulate<1|2>:MARKer<1 to 4>:FUNCtion:DEModulation:HOLDoff 10ms to 1000s

This command defines the hold time at the marker position for the demodulation in the frequency domain (span > 0). The setting is independent of the measurement window and the selected marker, i.e. the suffixes <1|2> and <1 to 4> are irrelevant

The command is only available with option audio demodulator FSP-B3.

Example: "`CALC:MARK:FUNC:DEM:HOLD 3s`"

Characteristics: *RST value: - (DEModulation is set to OFF)
 SCPI: device-specific

Mode: A, MS

CALCulate<1|2>:MARKer<1 to 4>:FUNCtion:DEModulation:CONTinuous ON | OFF

This command switches on or off the continuous demodulation in the frequency domain (span > 0) in the selected measurement window. Thus acoustic monitoring of the signals can be performed in the frequency domain. The function does not depend on the selected marker, i.e. the numeric suffix <1 to 4> is irrelevant.

The command is only available with option audio demodulator FSP-B3.

Example: "`CALC2:MARK3:FUNC:DEM:CONT ON`" 'Switches on the continuous demodulation in screen B.

Characteristics: *RST value: OFF
 SCPI: device-specific

Mode: A, MS

CALCulate<1|2>:MARKer<1 to 4>:FUNCtion:MDEPth[:STATe]

This command switches on the measurement of the AM modulation depth. An AM-modulated carrier is required on the screen for correct operation. If necessary, marker 1 is previously activated and set to the largest signal available.

The level value of marker 1 is regarded as the carrier level. On activating the function, marker 2 and marker 3 are automatically set as delta markers symmetrically to the carrier to the adjacent maxima of the trace.

If the position of delta marker 2 is changed, delta marker 3 is moved symmetrically with respect to the reference marker (marker 1). If the position of delta marker 3 is changed, fine adjustment can be performed independently of delta marker 2.

The FSP calculates the power at the marker positions from the measured levels.

The AM modulation depth is calculated from the ratio of power values at the reference marker and the delta markers. If the two AM sidebands differ in power, the average value of the two power values is used for calculating the AM modulation depth.

The numeric suffix <1 to 4> of :MARKer is irrelevant with this command.

Example:	"CALC:MARK:X 10MHZ"	'Sets the reference marker (marker 1) to the carrier signal at 10 MHz
	"CALC:MARK:FUNC:MDEP ON"	'Switches on the modulation depth measurement in screen A.
	"CALC:DELT2:X 10KHZ"	'Sets delta markers 2 and 3 to the signals at 10 kHz from the carrier signal
	"CALC:DELT3:X 9.999KHZ"	'Corrects the position of delta marker 3 relative to delta marker 2.

Characteristics: *RST value: OFF
SCPI: device-specific

Mode: A, MS

CALCulate<1|2>:MARKer<1 to 4>:FUNCtion:MDEPth:RESult?

This command queries the AM modulation depth in the indicated measurement window.

A complete sweep with synchronization to sweep end must be performed between switching on the function and querying the measured value to obtain a valid query result. This is only possible in single sweep mode.

The numeric suffix <1 to 4> of :MARKer is irrelevant for this command.

Example:	"INIT:CONT OFF"	'Switches to single-sweep mode.
	"CALC:MARK:X 10MHZ"	'Sets the reference marker (marker 1) to the carrier signal at 10 MHz.
	"CALC:MARK:FUNC:MDEP ON"	'Switches on the modulation depth measurement in screen A.
	"INIT;*WAI"	'Starts a sweep and waits for the end.
	"CALC:MARK:FUNC:MDEP:RES?"	'Outputs the measured value of screen A.

Characteristics: *RST value: -
SCPI: device-specific

Mode: A, MS

This command is only a query and therefore has no *RST value.

CALCulate<1|2>:MARKer<1 to 4>:FUNCtion:TOI[:STATe] ON | OFF

This command initiates the measurement of the third-order intercept point.

A two-tone signal with equal carrier levels is expected at the RF input of the instrument. Marker 1 and marker 2 (both normal markers) are set to the maximum of the two signals. Delta marker 3 and delta marker 4 are positioned to the intermodulation products. The delta markers can be modified separately afterwards with the commands `CALCulate:DELTAmarker3:X` and `CALCulate:DELTAmarker4:X`.

The third-order intercept is calculated from the level spacing between the normal markers and the delta markers.

The numeric suffix <1 to 4> of :MARKer is irrelevant for this command.

Note: This command is not available during GSM measurements modulation accuracy (MAC), phase-frequency error (PFE), power vs. time (PVT) and carrier power (CPW).

Example: `"CALC:MARK:FUNC:TOI ON"` 'Switches on the measurement of the third-order intercept in screen A.

Characteristics: *RST value: OFF
SCPI: device-specific

Mode: A, MS

CALCulate<1|2>:MARKer<1 to 4>:FUNCtion:TOI:RESult?

This command queries the third-order intercept point measurement in the indicated measurement window.

A complete sweep with synchronization to sweep end must be performed between switching on the function and querying the measured value to obtain a valid query result. This is only possible in single sweep mode.

The numeric suffix <1 to 4> of :MARKer is irrelevant of this command.

Note: This command is not available during GSM measurements modulation accuracy (MAC), phase-frequency error (PFE), power vs. time (PVT) and carrier power (CPW).

Example: `"INIT:CONT OFF"` 'Switches to single-sweep mode.
`"CALC:MARK:FUNC:TOI ON"` 'Switches the intercept measurement in screen A.
`"INIT;*WAI"` 'Starts a sweep and waits for the end.
`"CALC:MARK:FUNC:TOI:RES?"` 'Outputs the measured value of screen A.

Characteristics: *RST value: -
SCPI: device-specific

Mode: A, MS

This command is only a query and therefore has no *RST value.

CALCulate<1|2>:MARKer<1 to 4>:FUNCtion:CENTer

This command sets the center frequency of the selected measurement window equal to the frequency of the indicated marker.

If marker 2, 3 or 4 is selected and used as delta marker, it is switched to the marker mode.

Example: "CALC:MARK2:FUNC:CENT" 'Sets the center frequency of screen A to the frequency of marker 2.

Characteristics: *RST value: -
SCPI: device-specific

Mode: A-F, MS

This command is an "event" and therefore has no *RST value and no query.

CALCulate<1|2>:MARKer<1 to 4>:FUNCtion:CSTep

This command sets the step width of the center frequency in the selected measurement window to the X value of the current marker. If marker 2, 3 or 4 is selected and used as delta marker, it is switched to the marker mode.

Example: "CALC2:MARK3:FUNC:CST" 'Sets the center frequency of screen B to the 'same value as the frequency of marker 3.

Characteristics: *RST value: -
SCPI: device-specific

Mode: A-F, MS

This command is an event and therefore has no *RST value and no query.

CALCulate<1|2>:MARKer<1 to 4>:FUNCtion:REFerence

This command sets the reference level in the selected measurement window to the power measured by the indicated marker. If marker 2, 3 or 4 is selected and used as delta marker, it is switched to marker mode.

Example: "CALC:MARK2:FUNC:REF" 'Sets the reference level of screen A to the the 'level of marker 2.

Characteristics: *RST value: -
SCPI: device-specific

Mode: A, MS

This command is an event and therefore has no *RST value and no query.

CALCulate:MARKer:FUNCTION:POWER Subsystem

The CALCulate:MARKer:FUNCTION:POWER subsystem contains the commands for control of power measurement.

Note : The commands of this subsystem are not available during active GSM measurements.

COMMAND	PARAMETERS	UNIT	COMMENT
CALCulate<1 2> :MARKer :FUNCTION :POWER :SElect :RESult? :PHZ :PRESet [:STATe]	ACPower CPOWer OBANdwidth OBWidth CN CN0 ACPower CPOWer OBANdwidth OBWidth CN CN0 <Boolean> <Boolean> NADC TETRA PDC PHS CDPD FWCDma RWCDma F8CDma R8CDma F19Cdma R19Cdma FW3Gppcdma RW3Gppcdma D2CDma S2CDma M2CDma FIS95A RIS95A FIS95C0 RIS95C0 FIS95C1 RIS95C1 FJ008 RJ008 TCDMa NONE OFF		query only no query

CALCulate<1|2>:MARKer<1 to 4>:FUNCTION:POWER:SElect ACPower | CPOWer | OBANdwidth |
OBWidth | CN | CN0

This command selects the indicated power measurement and switches it on in the selected measurement window. The function is independent of the selected marker, i.e. the numeric suffix <1 to 4> of MARKer is irrelevant.

The configuration of channel spacings and channel bandwidths is performed by means of subsystem SENSE:POWER:ACHannel.

It should be noted that selecting CPOWer causes the number of adjacent channels (command: [SENSe<1|2>:]POWER:ACHannel:ACPairs) to be set to 0. Selecting ACPower causes the number of adjacent channels to be set to 1, if the adjacent channel power measurement is not yet switched on.

In both cases the behaviour of FSP differs from that of the FSE family.

Notes: The measurement of the channel/adjacent channel power is performed on the trace which has been selected with SENSE:POWER:TRACe 1|2|3.

This command is not available during active GSM measurements.

The measurement of the occupied bandwidth is performed on the trace on which marker 1 is positioned. In order to evaluate another trace, marker 1 should be positioned on another trace with CALC:MARK:TRAC 1|2|3.

Parameter: ACPower adjacent channel power measurement
CPOWer channel power measurement (same as adjacent channel power measurement with No. of Adj Channels = 0)
OBANdwidth | OBWidth occupied bandwidth power measurement

Example: "CALC:MARK:FUNC:POW:SEL ACP" 'Switches on the adjacent channel power measurement in screen A.

Characteristics: *RST value: -
 SCPI: device-specific
Mode: A-F

CALCulate<1|2>:MARKer<1 to 4>:FUNCtion:POWER:RESult?ACPower | CPOWer | OBANdwidth | OBWidth | CN | CNO

This command queries the results of the power measurement in the selected measurement window. The measurement is switched on first, if necessary.

The configuration of channel spacings and channel bandwidths is performed with subsystem `SENSe:POWer:ACHannel`.

To obtain a valid result, a complete sweep with synchronization to the sweep end must be performed before the query is executed. This is possible in single sweep mode only.

Note: *This command is not available during active GSM measurements.*

Parameter:

ACPower: adjacent channel power measurement

Results are output separated by commas in the following order:

1. Power of main channel
2. Power of lower adjacent channel
3. Power of upper adjacent channel
4. Power of lower alternate adjacent channel 1
5. Power of upper alternate adjacent channel 1
6. Power of lower alternate adjacent channel 2
7. Power of upper alternate adjacent channel 2

The number of results depends on the number of adjacent channels selected with command `SENSe:POWer:ACHannel:ACPairs`.

With logarithmic scaling (RANGE LOG), the power is output in dBm, with linear scaling (RANGE LIN dB or LIN %) in W. If `SENSe:POWer:ACHannel:MODE REL` is selected, adjacent channel power is output in dB.

CPOWer channel power measurement

With logarithmic scaling (RANGE LOG), the channel power is output in dBm, with linear scaling (RANGE LIN dB or LIN %) in W.

OBANdwidth | OBWidth occupied bandwidth power measurement

The return value is the occupied bandwidth in Hz.

CN Measurement of the carrier/noise ratio.

The return value is output in dB.

CNO Measurement of the carrier/noise ratio referred to a 1 Hz bandwidth.

The return value is output in dB/Hz.

Example of channel/adjacent power measurement:

"SENS2:POW:ACH:ACP 3"	'Sets the number of adjacent channels in 'screen B to 3.
"SENS2:POW:ACH:BAND 30KHZ"	'Sets the bandwidth of the main channel to '30 kHz.
"SENS2:POW:ACH:BAND:ACH 40KHZ"	'Sets the bandwidth of all adjacent 'channels to 40 kHz.
"SENS2:POW:ACH:BAND:ALT1 50KHZ"	'Sets the bandwidth of all alternate 'adjacent channels to 50 kHz.
"SENS2:POW:ACH:BAND:ALT2 60KHZ"	'Sets the bandwidth of alternate adjacent 'channel 2 to 60 kHz.
"SENS2:POW:ACH:SPAC 30KHZ"	'Sets the spacing between channel to 'adjacent channel to 30 kHz as well as 'between channel and alternate adjacent 'channel to 60 kHz and 2nd alternate 'adjacent channel to 90 kHz.
"SENS2:POW:ACH:SPAC:ALT1 100KHZ"	'Sets the spacing between channel and 'alternate adjacent channel to 100 kHz as 'well as 2nd alternate adjacent channel to '150 kHz.
"SENS2:POW:ACH:SPAC:ALT2 140KHZ"	'Sets the spacing between channel and 'alternate adjacent channel 2 to 140 kHz.
"SENS2:POW:ACH:MODE ABS"	'Switches on the measurement of absolute 'power values.
"CALC2:MARK:FUNC:POW:SEL ACP"	'Switches the adjacent channel power 'measurement in screen B.
"INIT:CONT OFF"	'Switches to single-sweep mode.
"INIT;*WAI"	'Starts a sweep and waits for the end
"CALC2:MARK:FUNC:POW:RES? ACP"	'Queries the result of the adjacent channel 'power measurement in screen B.
	'In case of relative measurement, the 'measured channel power can be defined 'as the reference power with command.
"SENS2:POW:ACH:REF:AUTO ONCE".	

If only the **channel power** is to be measured, all commands for defining the bandwidths of adjacent channels as well as the channel spacings are not necessary. The number of adjacent channels is set to 0 with `SENS2:POW:ACH:ACP 0`.

Example of occupied bandwidth measurement:

"SENS2:POW:BAND 90PCT"	'Sets the percentage of the power contained 'in the bandwidth under request to 90%.
"INIT:CONT OFF"	'Switches to single-sweep mode.
"INIT;*WAI"	'Starts a sweep and waits for the end.
"CALC2:MARK:FUNC:POW:RES? OBW"	'Queries the result of the occupied bandwidth 'in screen B.

Characteristics: *RST value: -
SCPI: device-specific

Mode: A-F

This command is only a query and therefore has no *RST value.

CALCulate<1|2>:MARKer<1 to 4>:FUNCTION:POWER:RESult:PHZ ON | OFF

This command switches the query response of the power measurement results in the indicated measurement window between output of absolute values (OFF) and output referred to the measurement bandwidth (ON).

The measurement results are output with `CALCulate:MARKer:FUNCTION:POWER:RESult?`

Note: This command is not available during active GSM measurements.

Parameter:

ON: Results output referred to measurement bandwidth.

OFF: Results output in absolute values.

Example of channel/adjacent channel measurement:

"SENS2:POW:ACH:ACP 3"	'Sets the number of adjacent channels in screen B to 3.
"SENS2:POW:ACH:BAND 30KHZ"	'Sets the bandwidth of the main channel to 30 kHz.
"SENS2:POW:ACH:BAND:ACH 40KHZ"	'Sets the bandwidth of all adjacent channels to 40 kHz.
"SENS2:POW:ACH:BAND:ALT1 50KHZ"	'Sets the bandwidth of all alternate adjacent channels to 50 kHz.
"SENS2:POW:ACH:BAND:ALT2 60KHZ"	'Sets the bandwidth of alternate adjacent channel 2 to 60 kHz.
"SENS2:POW:ACH:SPAC 30KHZ"	'Sets the spacing between channel and adjacent channel as well as between all adjacent channels to 30 kHz.
"SENS2:POW:ACH:SPAC:ALT1 40KHZ"	'Sets the spacing between adjacent channel and alternate adjacent channel as well as between all alternate adjacent channels to 40 kHz.
"SENS2:POW:ACH:SPAC:ALT2 50KHZ"	'Sets the spacing between alternate adjacent channel 1 and alternate adjacent channel 2 to 50 kHz.
"SENS2:POW:ACH:MODE ABS"	'Switches on absolute power measurement.
"CALC2:MARK:FUNC:POW:SEL ACP"	'Switches the adjacent channel power measurement in screen B.
"INIT:CONT OFF"	'Switches to single-sweep mode.
"INIT:*WAI"	'Starts a sweep and waits for the end.
"CALC2:MARK:FUNC:POW:RES:PHZ ON"	'Output of results referred to the channel bandwidth.
"CALC2:MARK:FUNC:POW:RES? ACP"	'Queries the result of the adjacent channel power measurement in screen B referred to the channel bandwidth.

If only the **channel power** is to be measured, all commands for defining the bandwidths of adjacent channels as well as the channel spacings are not necessary. The number of adjacent channels is set to 0 with `SENS2:POW:ACH:ACP 0`.

Characteristics: *RST value: -
SCPI: device-specific

Mode: A-F

CALCulate<1|2>:MARKer<1 to 4>:FUNCTION:POWER[:STATe] OFF

This command switches off the power measurement in the selected measurement window.

Note: This command is not available during active GSM measurements.

Example: "CALC:MARK:FUNC:POW OFF" Switches off the power measurement in screen B.

Characteristics: *RST value: -
SCPI: device-specific

Mode: A-F

This command is an event and therefore has no *RST value.

CALCulate<1|2>:MARKer<1 to 4>:FUNCTION:POWER:PRESet NADC | TETRA | PDC | PHS | CDPD |
FWCDma | RWCDma | F8CDma |
R8CDma | F19Cdma | R19Cdma |
FW3Gppcdma | RW3Gppcdma |
D2CDma | S2CDma | M2CDma |
FIS95A | RIS95A | FIS95C0 | RIS95C0 |
FJ008 | RJ008 | FIS95C1 | RIS95C1 |
TCDMa | NONE

This command selects the power measurement setting for a standard in the indicated measurement window and previously switches on the corresponding measurement, if required. The function is independent of the marker selection, i.e. the numeric suffix <1 to 4> of MARKer is irrelevant.

The configuration for a standard comprises of the parameters weighting filter, channel bandwidth and spacing, resolution and video bandwidth, as well as detector and sweep time.

Meaning of the CDMA standard abbreviations:

FIS95A, F8CDma	CDMA IS95A forward
RIS95A, R8CDma	CDMA IS95A reverse
FJ008, F19CDma	CDMA J-STD008 forward
RJ008, R19CDma	CDMA J-STD008 reverse
FIS95C0	CDMA IS95C Class 0 forward
RIS95C0	CDMA IS95C Class 0 reverse
FIS95C1	CDMA IS95C Class 1 forward
RIS95C1	CDMA IS95C Class 1 reverse
FWCDma	W-CDMA 4.096 MHz forward
RWCDma	W-CDMA 4.096 MHz reverse
FW3Gppcdma	W-CDMA 3.84 MHz forward
RW3Gppcdma	W-CDMA 3.84 MHz reverse
D2CDma	CDMA 2000 direct sequence
S2CDma	CDMA 2000 MC1 multi carrier with 1 carrier
M2CDma	CDMA 2000 MC3 multi carrier with 3 carriers
TCDMa	TD-SCDMA

Notes: The settings for standards IS95A and C differ as far as the calculation method of channel spacings is concerned. For IS95A and J-STD008 the spacing is calculated from the center of the main channel to the center of the corresponding adjacent channel, for IS95C from the center of the main channel to the nearest border of the adjacent channel.

This command is not available during active GSM measurements.

Example: "CALC2:MARK:FUNC:POW:PRESet NADC" 'Selects the standard setting for 'NADC in screen B

Characteristics: *RST value: -
SCPI: device-specific

Mode: A-F

CALCulate:MARKer:FUNCTION:STRack Subsystem

The CALCulate:MARKer:FUNCTION:STRack subsystem defines the settings of the signal track.

COMMAND	PARAMETERS	UNIT	COMMENT
CALCulate<1 2> :MARKer :FUNCTION :STRack [:STATe] :BANDwidth :BWIDth :THReshold :TRACe	<Boolean> <numeric_value> <numeric_value> <numeric_value> <numeric_value>	 HZ HZ DBM	

CALCulate<1|2>:MARKer<1 to 4>:FUNCTION:STRack[:STATe] ON | OFF

This command switches the signal-track function on or off for the the selected measurement window. The function is independent of the selected marker, i.e. the numeric suffix <1 to 4> of MARKer is irrelevant.

With signal track activated, the maximum signal is determined after each frequency sweep and the center frequency is set to the frequency of this signal. Thus with drifting signals the center frequency follows the signal.

Example: "CALC:MARK:FUNC:STR ON" 'Switches on the signal track function for 'screen A.

Characteristics: *RST value: OFF
SCPI: device-specific

Mode: A-F, MS

CALCulate<1|2>:MARKer<1 to 4>:FUNCTION:STRack:BANDwidth 10Hz to MAX(SPAN)

CALCulate<1|2>:MARKer<1 to 4>:FUNCTION:STRack:BWIDth 10Hz to MAX(SPAN)

These commands have the same function. For the selected measurement window they define the bandwidth around the center frequency within which the largest signal is searched. The function is independent of the selected marker, i.e. the numeric suffix <1 to 4> of MARKer is irrelevant. It is only available in the frequency domain (span > 0).

Note: The entry of the search bandwidth is only possible if the Signal Track function is switched on (CALC:MARK:FUNC:STR ON).

Example: "CALC:MARK:FUNC:STR:BAND 1MHZ" 'Sets the search bandwidth for screen 'A to 1 MHz.

"CALC:MARK:FUNC:STR:BWID 1MHZ" 'Alternative command for the same 'function.

Characteristics: *RST value: -- (= span/10 on activating the function)
SCPI: device-specific

Mode: A-F, MS

CALCulate<1|2>:MARKer<1 to 4>:FUNCtion:STRack:THReshold -330dBm to +30dBm

This command defines the threshold above which the largest signal is searched for in the selected measurement window. The function is independent of the selected marker, i.e. the numeric suffix <1 to 4> of MARKer is irrelevant. It is only available in the frequency domain (span > 0).

The response unit depends on the settings defined with CALC:UNIT.

Note: *The entry of the search bandwidth is only possible if the Signal Track function is switched on (CALC:MARK:FUNC:STR ON).*

Example: "CALC:MARK:FUNC:STR:THR -50DBM" 'Sets the threshold for signal tracking
'in screen A to -50 dBm.

Characteristics: *RST value: -120 dBm
SCPI: device-specific

Mode: A-F, MS

CALCulate<1|2>:MARKer<1 to 4>:FUNCtion:STRack:TRACe 1 to 3

This command defines the trace on which the largest signal is searched for in the selected measurement window. The function is independent of the selected marker, i.e. the numeric suffix <1 to 4> of MARKer is irrelevant. It is only available in the frequency domain (span > 0).

Example: "CALC2:MARK:FUNC:STR:TRAC 3" 'Defines trace 3 in screen B as the
'trace for signal tracking.

Characteristics: *RST value: 1
SCPI: device-specific

Mode: A-F, MS

CALCulate<1|2>:MARKer<1 to 4>:FUNCTION:SUMMARY[:STATE] ON | OFF

This command switches on or off the previously selected time domain power measurements. Thus one or several measurements can be first selected and then switched on and off together with `CALC:MARK:FUNC:SUMMARY:STATE`.

The function is independent of the marker selection, i.e. the suffix of `MARKer` is irrelevant. It is only available in the time domain (span = 0).

Example: `"CALC:MARK:FUNC:SUMM:STAT ON"`

Characteristics: *RST value: OFF
SCPI: device-specific

Mode: A-T, MS

CALCulate<1|2>:MARKer<1 to 4>:FUNCTION:SUMMARY:PPEAK[:STATE] ON | OFF

This command switches on or off the measurement of the positive peak value in the selected measurement window.

The function is independent of the marker selection, i.e. the numeric suffix <1 to 4> of `MARKer` is irrelevant. It is only available in the time domain (span = 0).

Example: `"CALC:MARK:FUNC:SUMM:PPE ON"` 'Switches on the function in screen A.

Characteristics: *RST value: OFF
SCPI: device-specific

Mode: A-T, MS

CALCulate<1|2>:MARKer<1 to 4>:FUNCTION:SUMMARY:PPEAK:RESULT?

This command is used to query the result of the measurement of the positive peak value in the selected measurement window. The measurement may have to be switched on previously.

The function is independent of the marker selection, i.e. the numeric suffix <1 to 4> of `MARKer` is irrelevant. It is only available in the time domain (span = 0).

A complete sweep with synchronization to sweep end must be performed between switching on the function and querying the measured value to obtain a valid query result. This is only possible in single sweep mode.

Example: `"INIT:CONT OFF"` 'Switches to single-sweep mode.
`"CALC:MARK:FUNC:SUMM:PPE ON"` 'Switches on the function in screen A.
`"INIT;*WAI"` 'Starts a sweep and waits for the end.
`"CALC:MARK:FUNC:SUMM:PPE:RES?"` 'Outputs the result of screen A.

Characteristics: *RST value: -
SCPI: device-specific

Mode: A-T, MS

This command is only a query and therefore has no *RST value.

CALCulate<1|2>:MARKer<1 to 4>:FUNction:SUMMary:PPEak:AVERage:RESult?

This command is used to query the result of the measurement of the averaged positive peak value in the selected measurement window. The query is only possible if averaging has been activated previously using CALCulate<1|2>:MARKer<1 to 4>:FUNction:SUMMary:AVERage.

The function is independent of the marker selection, i.e. the numeric suffix <1 to 4> in MARKer is irrelevant. It is only available in the time domain (span = 0).

A complete sweep with synchronization to sweep end must be performed between switching on the function and querying the measured value to obtain a valid query result. This is only possible in single sweep mode.

Example:

"INIT:CONT OFF"	'Switches to single-sweep mode.
"CALC:MARK:FUNC:SUMM:PPE ON"	'Switches on the function in screen A.
"CALC:MARK:FUNC:SUMM:AVER ON"	'Switches on the calculation of average 'in screen A.
"INIT;*WAI"	'Starts a sweep and waits for the end.
"CALC:MARK:FUNC:SUMM:PPE:AVER:RES?"	'Outputs the result of screen A.

Characteristics: *RST value: -
SCPI: device-specific

Mode: A-T, MS

This command is only a query and therefore has no *RST value.

CALCulate<1|2>:MARKer<1 to 4>:FUNction:SUMMary:PPEak:PHOLd:RESult?

This command is used to query the result of the measurement of the positive peak value with active peak hold function. The query is only possible if the peak hold function has been activated previously using CALCulate<1|2>:MARKer<1 to 4>:FUNction:SUMMary:PHOLd.

The function is independent of the marker selection, i.e. the numeric suffix <1 to 4> of :MARKer is irrelevant. It is only available in the time domain (span = 0).

A complete sweep with synchronization to sweep end must be performed between switching on the function and querying the measured value to obtain a valid query result. This is only possible in single sweep mode.

Example:

"INIT:CONT OFF"	'Switches to single-sweep mode.
"CALC:MARK:FUNC:SUMM:PPE ON"	'Switches on the function in screen A.
"CALC:MARK:FUNC:SUMM:PHOL ON"	'Switches on the measurement of the 'peak value in screen A.
"INIT;*WAI"	'Starts a sweep and waits for the end.
"CALC:MARK:FUNC:SUMM:PPE:PHOL:RES?"	'Outputs the result of screen A.

Characteristics: *RST value: -
SCPI: device-specific

Mode: A-T, MS

This command is only a query and therefore has no *RST value.

CALCulate<1|2>:MARKer<1 to 4>:FUNCtion:SUMMary:RMS[:STATe] ON | OFF

This command switches on or off the measurement of the effective (RMS) power in the selected measurement window. If necessary the function is switched on previously.

The function is independent of the marker selection, i.e. the numeric suffix <1 to 4> of :MARKer is irrelevant. It is only available in the time domain (span = 0).

Example: "CALC2:MARK:FUNC:SUM:RMS ON" 'Switches on the function in screen B.

Characteristics: *RST value: OFF
SCPI: device-specific

Mode: A-T, MS

CALCulate<1|2>:MARKer<1 to 4>:FUNCtion:SUMMary:RMS:RESult?

This command queries the result of the measurement of the RMS power value in the selected measurement window.

The function is independent of the marker selection, i.e. the numeric suffix <1 to 4> of :MARKer is irrelevant. It is only available in the time domain (span = 0).

A complete sweep with synchronization to sweep end must be performed between switching on the function and querying the measured value to obtain a valid query result. This is only possible in single sweep mode.

Example: "INIT:CONT OFF" 'Switches to single-sweep mode.
"CALC:MARK:FUNC:SUMM:RMS ON" 'Switches on the function in screen A.
"INIT;*WAI" 'Starts a sweep and waits for the end.
"CALC:MARK:FUNC:SUMM:RMS:RES?" 'Outputs the result of screen A.

Characteristics: *RST- value: -
SCPI: device-specific

Mode: A-T, MS

This command is only a query and therefore has no *RST value.

CALCulate<1|2>:MARKer<1 to 4>:FUNCtion:SUMMary:RMS:AVERAge:RESult?

This command queries the result of the measurement of the averaged RMS value in the selected measurement window. The query is only possible if averaging has been activated previously using CALCulate<1|2>:MARKer<1 to 4>:FUNCtion:SUMMary:AVERAge.

The function is independent of the marker selection, i.e. the numeric suffix <1 to 4> of :MARKer is irrelevant. It is only available in the time domain (span = 0).

A complete sweep with synchronization to sweep end must be performed between switching on the function and querying the measured value to obtain a valid query result. This is only possible in single sweep mode.

Example: "INIT:CONT OFF" 'Switches to single-sweep mode.
"CALC:MARK:FUNC:SUMM:RMS ON" 'Switches on the function in screen A.
"CALC:MARK:FUNC:SUMM:AVER ON" 'Switches on the average value
'calculation in screen A.
"INIT;*WAI" 'Starts a sweep and waits for the end.
"CALC:MARK:FUNC:SUMM:RMS:AVER:RES?" 'Outputs the result of screen A.

Characteristics: *RST- value: -
SCPI: device-specific

Mode: A-T, MS

This command is only a query and therefore has no *RST value.

CALCulate<1|2>:MARKer<1 to 4>:FUNction:SUMMary:RMS:PHOLd:RESult?

This command queries the result of the measurement of the RMS value with active peak hold in the selected measurement window. The query is only possible only if the peak hold function has been activated previously using CALCulate<1|2>:MARKer<1 to 4>: FUNction:SUMMary:PHOLd.

The function is independent of the marker selection, i.e. the numeric suffix <1 to 4> of :MARKer is irrelevant. It is only available in the time domain (span = 0).

A complete sweep with synchronization to sweep end must be performed between switching on the function and querying the measured value to obtain a valid query result. This is only possible in single sweep mode.

Example:

"INIT:CONT OFF"	'Switches to single-sweep mode.
"CALC:MARK:FUNC:SUMM:RMS ON"	'Switches on the function in screen A.
"CALC:MARK:FUNC:SUMM:PHOL ON"	'Switches on the peak value measurement in screen A.
"INIT;*WAI"	'Starts a sweep and waits for the end.
"CALC:MARK:FUNC:SUMM:RMS:PHOL:RES?"	'Outputs the result of screen A.

Characteristics: *RST- value: -
SCPI: device-specific

Mode: A-T, MS

This command is only a query and therefore has no *RST value.

CALCulate<1|2>:MARKer<1 to 4>:FUNction:SUMMary:MEAN[:STATe] ON | OFF

This command switches on or off the measurement of the mean value in the selected measurement window.

The function is independent of the marker selection, i.e. the numeric suffix <1 to 4> of :MARKer is irrelevant. It is only available in the time domain (span = 0).

Note: *The measurement is performed on the trace on which marker 1 is positioned. In order to evaluate another trace, marker 1 must be positioned on another trace with CALC:MARK:TRAC 1|2|3.*

Example: "CALC:MARK:FUNC:SUMM:MEAN ON" 'Switches on the function in screen A.

Characteristics: *RST value: OFF
SCPI: device-specific

Mode: A-T, MS

CALCulate<1|2>:MARKer<1 to 4>:FUNCTION:SUMMARY:MEAN:RESult?

This command queries the result of the measurement of the mean value in the selected measurement window. The function is independent of the marker selection, i.e. the numeric suffix <1 to 4> of :MARKer is irrelevant. It is only available in the time domain (span = 0).

A complete sweep with synchronization to sweep end must be performed between switching on the function and querying the measured value to obtain a valid query result. This is only possible in single sweep mode.

Example:

"INIT:CONT OFF"	'Switches to single-sweep mode.
"CALC:MARK:FUNC:SUMM:MEAN ON"	'Switches on the function in screen A.
"INIT;*WAI"	'Starts a sweep and waits for the end.
"CALC:MARK:FUNC:SUMM:MEAN:RES?"	'Outputs the result of screen A.

Characteristics: *RST- value: -
SCPI: device-specific

Mode: A-T, MS

This command is only a query and therefore has no *RST value.

CALCulate<1|2>:MARKer<1 to 4>:FUNCTION:SUMMARY:MEAN:AVERAGE:RESult?

This command queries the result of the measurement of the averaged mean value in the selected measurement window. The query is only possible if averaging has been activated previously using CALCulate<1|2>:MARKer<1 to 4>:FUNCTION:SUMMARY:AVERAGE.

The function is independent of the marker selection, i.e. the numeric suffix <1 to 4> of :MARKer is irrelevant. It is only available in the time domain (span = 0).

A complete sweep with synchronization to sweep end must be performed between switching on the function and querying the measured value to obtain a valid query result. This is only possible in single sweep mode.

Example:

"INIT:CONT OFF"	'Switches to single-sweep mode.
"CALC:MARK:FUNC:SUMM:MEAN ON"	'Switches on the function in screen A.
"CALC:MARK:FUNC:SUMM:AVER ON"	'Switches on the average value calculation in screen A.
"INIT;*WAI"	'Starts a sweep and waits for the end.
"CALC:MARK:FUNC:SUMM:MEAN:AVER:RES?"	'Outputs the result of screen A.

Characteristics: *RST- value: -
SCPI: device-specific

Mode: A-T, MS

This command is only a query and therefore has no *RST value.

CALCulate<1|2>:MARKer<1 to 4>:FUNCTION:SUMMARY:MEAN:PHOLD:RESult?

This command queries the result of the measurement of the mean value with active peak hold in the selected measurement window. The query is only possible if the peak hold function has been switched on previously using CALCulate<1|2>:MARKer<1 to 4>:FUNCTION:SUMMARY:PHOLD.

The query is possible only if the peak hold function is active. The function is independent of the marker selection, i.e. the numeric suffix <1 to 4> of :MARKer is irrelevant. It is only available in the time domain (span = 0).

A complete sweep with synchronization to sweep end must be performed between switching on the function and querying the measured value to obtain a valid query result. This is only possible in single sweep mode.

Example:

"INIT:CONT OFF"	'Switches to single-sweep mode
"CALC:MARK:FUNC:SUMM:MEAN ON"	'Switches on the function in screen A
"CALC:MARK:FUNC:SUMM:PHOL ON"	'Switches on the peak value measurement in screen A
"INIT;*WAI"	'Starts a sweep and waits for the end
"CALC:MARK:FUNC:SUMM:MEAN:PHOL:RES?"	'Outputs the result of screen A.

Characteristics: *RST- value: -
SCPI: device-specific

Mode: A-T, MS

This command is only a query and therefore has no *RST value.

CALCulate<1|2>:MARKer<1 to 4>:FUNCTION:SUMMARY:SDEVIation[:STATE] ON | OFF

This command switches on or off the measurement of the standard deviation in the selected measurement window. The function is independent of the marker selection, i.e. the numeric suffix <1 to 4> of :MARKer is irrelevant. It is only available in the time domain (span = 0).

On switching on the measurement, the mean power measurement is switched on as well.

Example:

"CALC2:MARK:FUNC:SUMM:SDEV ON"	'Switches on the measurement of the standard deviation in screen B.
--------------------------------	---

Characteristics: *RST value: OFF
SCPI: device-specific

Mode: A, MS

CALCulate<1|2>:MARKer<1 to 4>:FUNCtion:SUMMary:SDEViation:RESult?

This command queries the results of the standard deviation measurement. The function is independent of the marker selection, i.e. the numeric suffix <1 to 4> of :MARKer is irrelevant. It is only available in the time domain (span = 0).

A complete sweep with synchronization to sweep end must be performed between switching on the function and querying the measured value to obtain a valid query result. This is only possible in single sweep mode.

Example:

"INIT:CONT OFF"	'Switches to single-sweep mode.
"CALC:MARK:FUNC:SUMM:SDEV ON"	'Switches on the function in screen A.
"INIT;*WAI"	'Starts a sweep and waits for the end.
"CALC:MARK:FUNC:SUMM:SDEV:RES?"	'Outputs the result of screen A.

Characteristics: *RST value: -
SCPI: device-specific

Mode: A-T, MS

This command is only a query and therefore has no *RST value.

CALCulate<1|2>:MARKer<1 to 4>:FUNCtion:SUMMary:SDEViation:AVERage:RESult?

This command queries the result of the averaged standard deviation determined in several sweeps in the selected measurement window. The query is possible only if averaging is active. The function is independent of the marker selection, i.e. the numeric suffix <1 to 4> of :MARKer is irrelevant. It is only available in the time domain (span = 0).

A complete sweep with synchronization to sweep end must be performed between switching on the function and querying the measured value to obtain a valid query result. This is only possible in single sweep mode.

Example:

"INIT:CONT OFF"	'Switches to single-sweep mode.
"CALC:MARK:FUNC:SUMM:SDEV ON"	'Switches on the function in screen A.
"CALC:MARK:FUNC:SUMM:AVER ON"	'Switches on the calculation of average 'in screen A.
"INIT;*WAI"	'Starts a sweep and waits for the end.
"CALC:MARK:FUNC:SUMM:MEAN:SDEV:RES?"	'Outputs the result of screen A.

Characteristics: *RST value: -
SCPI: device-specific

Mode: A-T, MS

This command is only a query and therefore has no *RST value.

CALCulate<1|2>:MARKer<1 to 4>:FUNCtion:SUMMary:SDEViation:PHOLd:RESult?

This command queries the maximum standard deviation value determined in several sweeps in the selected measurement window. The query is possible only if the peak hold function is active.

The function is independent of the marker selection, i.e. the numeric suffix <1 to 4> of :MARKer is irrelevant. It is only available in the time domain (span = 0).

A complete sweep with synchronization to sweep end must be performed between switching on the function and querying the measured value to obtain a valid query result. This is only possible in single sweep mode.

Example:

"INIT:CONT OFF"	'Switches to single-sweep mode.
"CALC:MARK:FUNC:SUMM:SDEV ON"	'Switches on the function in screen A.
"CALC:MARK:FUNC:SUMM:PHOL ON"	'Switches on the peak value measurement in screen A.
"INIT;*WAI"	'Starts a sweep and waits for the end.
"CALC:MARK:FUNC:SUMM:SDEV:PHOL:RES?"	'Outputs the result of screen A.

Characteristics: *RST value: -
SCPI: device-specific

Mode: A-T, MS

This command is only a query and therefore has no *RST value.

CALCulate<1|2>:MARKer<1 to 4>:FUNCtion:SUMMary:PHOLd ON | OFF

This command switches on or off the peak-hold function for the active time domain power measurement in the indicated measurement window. The function is independent of the marker selection, i.e. the numeric suffix <1 to 4> of :MARKer is irrelevant. It is only available in the time domain (span = 0).

The peak-hold function is reset by switching it off and on again.

Example: "CALC:MARK:FUNC:SUMM:PHOL ON" 'Switches on the function in screen A.

Characteristics: *RST value: OFF
SCPI: device-specific

Mode: A-T, MS

The peak-hold function is reset by switching off and on, again.

CALCulate<1|2>:MARKer<1 to 4>:FUNCTION:SUMMARY:AVERAGE ON | OFF

This command switches on or off averaging for the active time domain power measurement in the indicated window. The function is independent of the marker selection, i.e. the numeric suffix <1 to 4> of :MARKer is irrelevant. It is only available in the time domain (span = 0).

Averaging is reset by switching it off and on again.

The number of results required for the calculation of average is defined with [SENSe<1 | 2>:]AVERAGE:COUNT.

It should be noted that synchronization to the end of averaging is only possible in single sweep mode.

Example:

"INIT:CONT OFF"	'Switches to single-sweep mode.
"CALC2:MARK:FUNC:SUMM:AVER ON"	'Switches on the calculation of average in screen B.
"AVER:COUN 200"	'Sets the measurement counter to 200.
"INIT;*WAI"	'Starts a sweep and waits for the end.

Characteristics: *RST value: OFF
SCPI: device-specific

Mode: A-T, MS

CALCulate<1|2>:MARKer<1 to 4>:FUNCTION:SUMMARY:MODE ABSolute | RELative

This command selects absolute or relative time domain power measurement in the indicated measurement window. The function is independent of the marker selection, i.e. the numeric suffix <1 to 4> of :MARKer is irrelevant. It is only available in the time domain (span = 0).

The reference power for relative measurement is defined with CALCulate:MARKer:FUNCTION:SUMMARY:REFERENCE:AUTO ONCE. If the reference power is not defined, the value 0 dBm is used.

Note: *This command is not available for GSM MS measurements modulation accuracy (MAC) and phase/frequency error (PFE).*

Example:

"CALC:MARK:FUNC:SUMM:MODE REL"	'Switches the time domain power measurement to relative.
--------------------------------	--

Characteristics: *RST value: ABSolute
SCPI: device-specific

Mode: A-T, MS

CALCulate<1|2>:MARKer<1 to 4>:FUNction:SUMMary:REFerence:AUTO ONCE

With this command the currently measured average value (. . :SUMMary:MEAN) and RMS value (. . :SUMMary:RMS) are declared as reference values for relative measurements in the indicated measurement window. The function is independent of the marker selection, i.e. the numeric suffix <1 to 4> of :MARKer is irrelevant. It is only available in the time domain (span = 0).

If the measurement of RMS value and average is not activated, the reference value 0 dBm is used.

If the function . . . :SUMMary:AVERage or . . . :SUMMary:PHOLd is switched on, the current value is the accumulated measurement value at the time considered.

Note: This command is not available for GSM MS measurements modulation accuracy (MAC) and phase/frequency error (PFE).

Example: "CALC:MARK:FUNC:SUMM:REF:AUTO ONCE"
' Takes the currently measured power in
'screen A as reference value for the relative
'time domain power measurement.

Characteristics: *RST value: -
SCPI: device-specific

Mode: A-T, MS

This command is an event and therefore has no *RST value and no query.

CALCulate<1|2>:MARKer<1 to 4>:FUNction:SUMMary:AOFF

This command switches off all time domain measurements in the selected measurement window. The function is independent of the marker selection, i.e. the numeric suffix <1 to 4> of :MARKer is irrelevant. It is only available in the time domain (span = 0).

Example: "CALC2:MARK:FUNC:SUMM:AOFF"
'Switches off the time domain power
'measurement functions in screen B.

Characteristics: *RST value: _
SCPI: device-specific

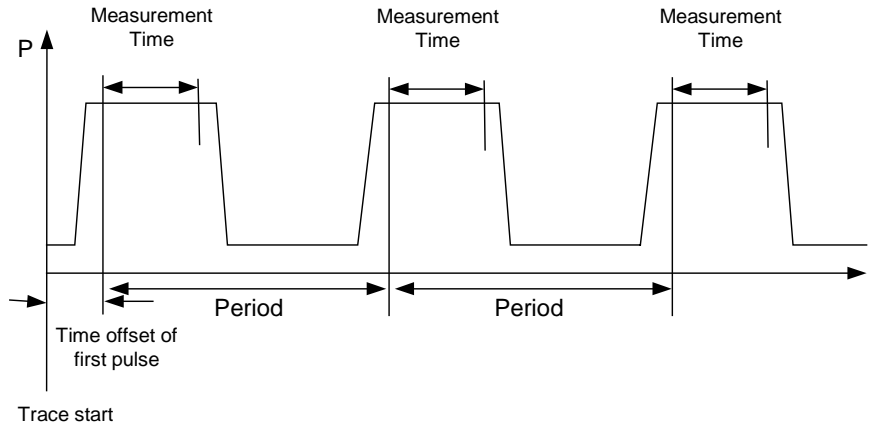
Mode: A-T, MS

This command is an event and therefore has no *RST value and no query.

CALCulate<1|2>:MARKer<1 to 4>:FUNCtion:MSUMmary? <time offset of first pulse>, <measurement time>, <period>, < # of pulses to measure>

The commands of this subsystem are used to determine the power of a sequence of signal pulses having the same interval, as are typical for the slots of a GSM signal, for example. The number of pulses to be measured as well as the measurement time and the period can be set. To define the position of the first pulse in the trace, a suitable offset can be entered.

The evaluation is performed on the measurement data of a previously recorded trace. The data recorded during the set measurement time is combined to a measured value for each pulse according to the detector specified and the indicated number of results is output as a list.



TRACE 1 of the selected screen is always used by the function. The suffix of MARKer will be ignored.

Example:	"DISP:WIND:TRAC:Y:RLEV -10dBm"	'Sets the reference level to 10 dB
	"INP:ATT 30 dB"	'Sets the input attenuation to 30 dB
	"FREQ:CENT 935.2MHz;SPAN 0Hz"	'Sets the receive frequency to 935.2 MHz and the span to 0 Hz
	"BAND:RES 1MHz;VID 3MHz"	'Sets the resolution bandwidth to 1 MHz and the video bandwidth to 3 MHz
	"DET RMS"	'Sets the RMS detector
	"TRIG:SOUR VID;LEV:VID 50 PCT"	'Selects the trigger source VIDEo and sets the level of the video trigger source to 50 PCT
	"SWE:TIME 50ms"	'Sets the sweep time to 50 ms
	"INIT;*WAI"	'Starts the measurement with synchronization
	"CALC:MARK:FUNC:MSUM? 50US,450US,576.9US,8"	'Queries 8 bursts with an offset of 50 μ s, a test time of 450 μ s and a period of 576.9 μ s

Characteristics: *RST value:-
SCPI:device-specific

Mode: A-Z

This command is only available from firmware 1.30 on.

CALCulate:MARKer:FUNCTION-Subsystem - WCDMA 3GP FDD BTS and MS (FS-K72/K73)

The measurement windows are selected by CALCulate1 (screen A) or CALCulate2 (screen B).

Command	Parameter	Unit	Comment
CALCulate<1 2> :MARKer<1 to 4> :FUNCTION :CPICh :PCCPch :DPCCh :WCDPower [:BTS] :RESult?	PTOTal FERRor TFRame TOFFset MACCuracy PCDError EVMRms EVMPeak CERRor CSLot SRATe CHANnel CDPabsolute CDPRelative IQOOffset IQIMbalance		No query, FS-K72 No query, FS-K72 No query, FS-K73 Query only, FS-K72
:MS :RESult?	PTOTal FERRor TFRame PSYMBOL MACCuracy PCDError EVMRms EVMPeak CERRor CMAPping SRATe CHANnel CDPabsolute CDPRelative IQOOffset IQIMbalance		Query only, FS-K73

CALCulate<1|2>:MARKer<1>:FUNCTION:CPICh

This command sets the marker to channel 0.

The numeric suffix in CALCulate that is required or permissible depends on the selected display mode for which the marker is to be valid and has to coincide with it:

CALCulate<1> for CDP absolute and relative

CALCulate2 for modulation accuracy, peak code domain error, power versus slot, bit stream, symbol constellation and EVM

Example: "CALC:MARK:FUNC:CPIC"

Characteristics: *RST value:-
SCPI: device-specific

Mode: 3G FDD BTS

This command is an <Event> and therefore has no *RST value and no query. Only the numeric suffix 1 is permissible in MARKer.

CALCulate<1|2>:MARKer<1>:FUNCTION:PCCPch

This command sets the marker to channel 1.

The numeric suffix in CALCulate that is required or permissible depends on the selected display mode for which the marker is to be valid and has to coincide with it:

CALCulate<1> for CDP absolute and relative

CALCulate2 for modulation accuracy, peak code domain error, power versus slot, bit stream, symbol constellation and EVM

Example: "CALC:MARK:FUNC:PCCP"

Characteristics: *RST value: _
SCPI: device-specific

Mode: 3G FDD BTS

This command is an <Event> and therefore has no *RST value and no query. Only the numeric suffix 1 is permissible in MARKer.

CALCulate<1|2>:MARKer<1>:FUNCtion:DPCCh

This command sets marker 1 to channel 1.

The numeric suffix that is required or permissible depends on the selected display mode for which the marker is to be valid and must be appropriate for this mode.

CALCulate<1> for CDP absolute/relative

CALCulate2 for modulation accuracy, peak code domain error, power vs slot, bit stream, symbol constellation and EVM

Example: "CALC:MARK:FUNC:DPCC"

Characteristics: *RST value: _
SCPI:device-specific

Mode: 3G FDD MS

This command is an <event> and therefore has no *RST value and no query.

CALCulate<1|2>:MARKer<1 to 4>:FUNCtion:WCDPower[:BTS]:RESult? PTOTAL | FERRor | TFRame | TOFFset | MACCuracy | PCDError | EVMRms | EVMPeak | CERRor | CSLot | SRATE | CHANnel | CDPabsolute | CDPRelative | IQOFFset | IQIMbalance

This command queries the measured and calculated results of the WCDMA code domain power measurement (base station).

PTOTAL	Total power
FERRor	Frequency error in Hz
TFRame	Trigger to frame
TOFFset	Timing offset
MACCuracy	Modulation accuracy
PCDError	Peak code domain error
EVMRms	Error vector magnitude RMS
EVMPeak	Error vector magnitude Peak
CERRor	Chip rate error
CSLot	Channel slot number
SRATE	Symbol rate
CHANnel	Channel number (Channel Code)
CDPabsolute	Channel power absolute
CDPRelative	Channel power relative
IQOFFset	IQ offset
IQIMbalance	IQ imbalance

Example: ":CALC:MARK:FUNC:WCDP:RES? PTOT" 'Queries the result of the total power measurement

Characteristics: *RST value:-
SCPI: device-specific

Mode: 3G FDD BTS

The numeric suffixes in CALCulate<1|2> and MARKer<1 to 4> are not significant.

CALCulate<1|2>:MARKer<1 to 4>:FUNction:WCDPower:MS:RESult? PTOTal | FERRor | TFRame |
 MACCuracy | PCDError | EVMRms | EVMPeak | CERRor | SRATe | CHANnel | CDPabsolute |
 CDPRelative | IQOFset | IQIMbalance | CMAPping | PSYMBOL

This command queries the measured and calculated results of the WCDMA code domain power measurement (mobile station).

PTOTal	Total power
FERRor	Frequency error in Hz
TFRame	Trigger to frame
MACCuracy	Modulation accuracy
PCDError	Peak code domain error
EVMRms	Error vector magnitude RMS
EVMPeak	Error vector magnitude Peak
CERRor	Chip rate error
SRATe	Symbol rate
CHANnel	Channel number (Channel Code)
CDPabsolute	Channel power absolute
CDPRelative	Channel power relative
IQOFset	IQ offset
IQIMbalance	IQ imbalance
CMAPping	Channel mapping
PSYMBOL	No of pilot symbols

Example: " :CALC:MARK:FUNC:WCDP:MS:RES? PTOT " 'Queries the result of the total
'power measurement

Characteristics: *RST value:-
 SCPI: device-specific

Mode: 3G FDD MS

The numeric suffixes in CALCulate<1|2> and MARKer<1 to 4> are not significant.

CALCulate:MATH Subsystem

The CALCulate:MATH subsystem allows to process data from the SENSE-subsystem in numeric expressions. The measurement windows are selected by CALCulate1 (screen A) or CALCulate2 (screen B).

COMMAND	PARAMETERS	UNIT	COMMENT
CALCulate<1 2> :MATH [:EXPRession] [:DEFine] :POSition :STATe :MODE	<expr> <numeric_value> <Boolean> LINear LOGarithmic	-- PCT -- --	

CALCulate<1|2>:MATH[:EXPRession][:DEFine] <expr>

This command defines the mathematical expression for relating traces to trace1.

The zero point of the result display can be defined with CALC : MATH : POS. Command CALCulate : MATH : STATe switches the mathematical relation of traces on or off .

Parameter: <expr> ::= 'OP1 - OP2'
OP1 ::= TRACE1
OP2 ::= TRACE2 | TRACE3

Example: "CALC1 : MATH (TRACE1 - TRACE2)" 'Selects the subtraction of trace 1
'from trace 2 in screen A.
"CALC2 : MATH (TRACE1 - TRACE3)" 'Selects the subtraction of trace 1
'from trace 3 in screen B.

Characteristics: *RST value: -
SCPI: conforming

Mode: A, MS

CALCulate<1|2>:MATH:POSition -100PCT to 200PCT

This command defines the position of the result of the trace mathematics in the selected measurement window. The indication is in % of the screen height, with 100% corresponding to the upper diagram border.

Example: "CALC : MATH : POS 50PCT" 'Sets the position in screen A to the
'horizontal diagram center.

Characteristics: *RST value: 50 %
SCPI: device-specific

Mode: A, MS

CALCulate<1|2>:MATH:STATe ON | OFF

This command switches the mathematical relation of traces on or off.

Example: "CALC:MATH:STAT ON" 'Switches on the trace mathematics in
'screen A.

Characteristics: *RST value: OFF
SCPI: conforming

Mode: A, MS

CALCulate<1|2>:MATH:MODE LINear | LOGarithmic

This command selects linear or logarithmic (= video) calculation of the mathematical functions related to the traces. The calculation of the average is one of the affected functions. The setting is valid for all measurement windows, i.e. the numeric suffix <1 | 2> of CALCulate is irrelevant.

Example: "CALC:MATH:MODE LIN" 'Switches on the linear calculation.

Characteristics: *RST value: LOG
SCPI: device-specific

Mode: A, MS

CALCulate:STATistics Subsystem

The CALCulate:STATistics subsystem controls the statistical measurement functions in the instrument. The measurement window cannot be selected with these functions. The numeric suffix in CALCulate is therefore ignored.

Note: The commands of this subsystem are not available during GSM measurements.

COMMAND	PARAMETERS	UNIT	COMMENT
CALCulate			
:STATistics			
:APD			
[:STATe]	<Boolean>	--	
:CCDF			
[:STATe]	<Boolean>	--	
:NSAMples	<numeric_value>		
:SCALe			
:AUTO	ONCE		
:X			
:RLEVel	<numeric_value>	DBM	
:RANGe	<numeric_value>	DB	
:Y			
:UPPer	<numeric_value>		
:LOWer	<numeric_value>		
:PRESet			
:RESult<1 to 3>?	MEAN PEAK CFACTOR ALL		query only

CALCulate:STATistics:APD[:STATe] ON | OFF

This command switches on or off the measurement of amplitude distribution (APD). On activating this function, the CCDF measurement is switched off.

Example: "CALC:STAT:APD ON" 'Switches on the APD measurement.

Characteristics: *RST value: OFF
SCPI: device-specific

Mode: A

CALCulate:STATistics:CCDF[:STATe] ON | OFF

This command switches on or off the measurement of the complementary cumulative distribution function (CCDF). On activating this function, the APD measurement is switched off.

Example: "CALC:STAT:CCDF ON" 'Switches on the CCDF measurement.

Characteristics: *RST value: OFF
SCPI: device-specific

Mode: A

CALCulate:STATistics:NSAMples 100 to 1E9

This command sets the number of measurement points to be acquired for the statistical measurement functions.

Example: "CALC:STAT:NSAM 500" 'Sets the number of measurement points to be acquired to 500.

Characteristics: *RST value: 100000
SCPI: device-specific

Mode: A

CALCulate:STATistics:SCALE:AUTO ONCE

This command optimizes the level setting of the instrument depending on the measured peak power, in order to obtain maximum instrument sensitivity.

To obtain maximum resolution, the level range is set as a function of the measured spacing between peak power and the minimum power for the APD measurement and of the spacing between peak power and mean power for the CCDF measurement. In addition, the probability scale for the number of test points is adapted.

Note:

*Subsequent commands have to be synchronized with *WAI, *OPC or *OPC? to the end of the autorange process which would otherwise be aborted.*

Example: "CALC:STAT:SCALE:AUTO ONCE;*WAI" 'Adapts the level setting for statistical measurements.

Characteristics: *RST value: --
SCPI: device-specific

Mode: A

This command is an event and therefore has no *RST value and no query.

CALCulate:STATistics:SCALE:X:RLEVel -130dBm to 30dBm

This command defines the reference level for the X axis of the measurement diagram. The setting is identical to the reference level setting using the command DISPLAY:WINDOW:TRACE:Y:RLEVel.

With the reference level offset <> 0 the indicated value range of the reference level is modified by the offset.

The unit depends on the setting performed with CALC:UNIT.

Example: "CALC:STAT:SCALE:X:RLEV -60dBm"

Characteristics: *RST value: -20dBm
SCPI: device-specific

Mode: A

CALCulate:STATistics:SCALE:X:RANGe 10dB to 200dB

This command defines the level range for the X axis of the measurement diagram. The setting is identical to the level range setting defined with the command `DISPlay:WINDow:TRACe:Y:SCALE`.

Example: "CALC:STAT:SCAL:X:RANG 20dB"

Characteristics: *RST value: 100dB
SCPI: device-specific

Mode: A

CALCulate:STATistics:SCALE:Y:UPPer 1E-8 to 1.0

This command defines the upper limit for the Y axis of the diagram in statistical measurements. Since probabilities are specified on the Y axis, the entered numerical values are dimensionless.

Example: "CALC:STAT:Y:UPP 0.01"

Characteristics: *RST value: 1.0
SCPI: device-specific

Mode: A

CALCulate:STATistics:SCALE:Y:LOWer 1E-9 to 0.1

This command defines the lower limit for the Y axis of the diagram in statistical measurements. Since probabilities are specified on the Y axis, the entered numerical values are dimensionless.

Example: "CALC:STAT:SCAL:Y:LOW 0.001"

Characteristics: *RST value: 1E-6
SCPI: device-specific

Mode: A

CALCulate:STATistics:PRESet

This command resets the scaling of the X and Y axes in a statistical measurement. The following values are set:

X axis ref level: -20 dBm
X axis range APD: 100 dB
X axis range CCDF: 20 dB

Y axis upper limit: 1.0
Y axis lower limit: 1E-6

Example: "CALC:STAT:PRES" ' Resets the scaling for statistical functions

Characteristics: *RST value: --
SCPI: device-specific

Mode: A

This command is an event and therefore has no *RST value and no query.

CALCulate:STATistics:RESult<1 to 3>? MEAN | PEAK | CFACtor | ALL

This command reads out the results of statistical measurements of a recorded trace. The trace is selected with the numeric suffix <1 to 3> attached to RESult.

Parameter: The required result is selected via the following parameters:

MEAN Average (=RMS) power in dBm measured during the measurement time.

PEAK Peak power in dBm measured during the measurement time.

CFACtor Determined CREST factor (= ratio of peak power to average power) in dB.

ALL Results of all three measurements mentioned before, separated by commas:
<mean power>,<peak power>,<crest factor>

Example: "CALC:STAT:RES2? ALL" 'Reads out the three measurement results of trace 2. Example of answer string:
'5.56,19.25,13.69
'i.e. mean power: 5.56 dBm, peak power 19.25 dBm, CREST factor 13.69 dB

Characteristics: *RST value: --
SCPI: device-specific

Mode: A

CALCulate:THReshold Subsystem

The CALCulate:THReshold subsystem controls the threshold value for the maximum/minimum search of markers. The measurement windows are selected by CALCulate 1 (screen A) or 2 (screen B).

COMMAND	PARAMETERS	UNIT	COMMENT
CALCulate<1 2> :DLINe<1 2>	<numeric_value>	DBM DB DEG RAD S HZ PCT	
:STATe	<Boolean>		
:THReshold	<numeric_value>	DBM DB	
:STATe	<Boolean>		
:FLINe<1 2>	<numeric_value>	HZ	
:STATe	<Boolean>		
:TLINe<1 2>	<numeric_value>	S	
:STATe	<Boolean>		

CALCulate<1|2>:DLINe<1|2> MINimum .. MAXimum (depending on current unit)

This command defines the position of Display Line 1 or 2. These lines enable the user to mark any levels in the diagram. The unit depends on the setting made with CALC:UNIT.

Example: "CALC:DLIN -20dBm"

Characteristics: *RST value: - (STATe to OFF)
SCPI: device-specific

Mode: A

CALCulate<1|2>:DLINe<1|2>:STATe ON | OFF

This command switches Display Line 1 or 2 (level lines) on or off.

Example: "CALC:DLIN2:STAT OFF"

Characteristics: *RST value: OFF
SCPI: device-specific

Mode: A

CALCulate<1|2>:THReshold MINimum to MAXimum (depending on current unit)

This command defines the threshold value for the maximum/minimum search of markers with marker search functions MAX PEAK, NEXT PEAK, etc in the selected measurement window. The associated display line is automatically switched on.

Example: "CALC:THR -82DBM" 'Sets the threshold value for screen A to -82 dBm.

Characteristics: *RST value: - (STATe to OFF)
SCPI: device-specific

Mode: A, MS, FM

CALCulate<1|2>:THReshold:STATe ON | OFF

This command switches on or off the threshold line in the selected measurement window. The unit depends on the setting performed with CALC:UNIT.

Example: "CALC2:THR:STAT ON" 'Switches on the threshold line in screen B.

Characteristics: *RST value: OFF
SCPI: device-specific

Mode: A, MS, FM

CALCulate<1|2>:FLINe<1|2> 0... f_{max}

This command defines the position of the frequency lines.

The frequency lines mark the frequencies specified in the measurement window. Frequency lines are only available with SPAN > 0.

Example: "CALC:FLIN2 120MHz"

Characteristics: *RST value: - (STATe to OFF)
SCPI: device-specific

Mode: A-F

CALCulate<1|2>:FLINe<1|2>:STATe ON | OFF

This command switches the frequency line on or off.

Example: "CALC:FLIN2:STAT ON"

Characteristics: *RST value: OFF
SCPI: device-specific

Mode: A-F

CALCulate<1|2>:TLINe<1|2> 0 ... 1000s

This command defines the position of the time lines.

The time lines mark the times specified in the measurement window. Time lines are only available with SPAN = 0.

Example: "CALC:TLIN 10ms"

Characteristics: *RST value: - (STATe auf OFF)
SCPI: device-specific

Mode: A-Z

CALCulate<1|2>:TLINe<1|2>:STATe ON | OFF

This command switches the time line on or off.

Example: "CALC:TLIN2:STAT ON"

Characteristics: *RST value: OFF
SCPI: device-specific

Mode: A-Z

CALCulate:UNIT Subsystem

The CALCulate:Unit subsystem defines the units for power measurement settings.

COMMAND	PARAMETERS	UNIT	COMMENT
CALCulate<1 2> :UNIT :POWer	DBM V A W DB PCT UNITLESS DBPW WATT DBUV DBMV VOLT DBUA AMPere		

CALCulate<1|2>:UNIT:POWer DBM | V | A | W | DB | PCT | UNITLESS |DBPW | WATT | DBUV |
DBMV | VOLT | DBUA | AMPere

This command selects the unit for power in the selected measurement window.

Note: This command is not available during active GSM measurements. During GSM measurements the unit is either dBm (power measurements) or deg (phase error measurements).

Example: "CALC:UNIT:POW DBM" 'Sets the power unit for screen A to dBm.

Characteristics: *RST value: dBm
SCPI: device-specific

Mode: A

CALibration Subsystem

The commands of the CALibration subsystem determine the data for system error correction in the instrument.

COMMAND	PARAMETERS	UNIT	COMMENT
CALibration			
[:ALL]?	--	--	query only
:ABORt	--	--	no query
:RESult?	--	--	query only
:STATe	<Boolean>	--	

CALibration[:ALL]?

This command initiates the acquisition of system error correction data. A "0" is returned if the acquisition was successful.

Note: *During the acquisition of correction data the instrument does not accept any remote control commands, except*
**RST*
CALibration:ABORt

In order to recognize when the acquisition of correction data is completed, the MAV bit in the status byte can be used. If the associated bit is set in the Service Request Enable Register, the instrument generates a service request after the acquisition of correction data has been completed.

Example: "*CLS " ' Resets the status management.
 "*SRE 16 " ' Enables MAV bit in the Service Request Enable Register.
 "*CAL? " ' Starts the correction data recording and then a service
 'request is generated.

Characteristics: *RST value: -
 SCPI: conforming

Mode: all

CALibration:ABORt

This command aborts the acquisition of correction data and restores the last complete correction data set.

Example: "CAL : ABOR "

Characteristics: *RST value: -
 SCPI: device-specific

Mode: all

This command is an event and therefore has no *RST value and no query.

CALibration:RESult?

This command outputs the results of the correction data acquisition. The lines of the result table (see section "Recording the correction data of FSP – CAL key") are output as string data separated by commas:

```
"Total Calibration Status: PASSED", "Date (dd/mm/yyyy): 12/07/1999",  
"Time: 16:24:54", "Runtime:00.06"
```

Example: "CAL:RES?"

Characteristics: *RST value: --
SCPI: device-specific

Mode: all

CALibration:STATe ON | OFF

This command determines whether the current calibration data are taken into account by the instrument (ON) or not (OFF).

Example: "CAL:STAT OFF" 'Sets up the instrument to ignore the calibration data.

Characteristics: *RST value: -
SCPI: conforming

Mode: all

CONFigure – Subsystem

The CONFigure subsystem contains commands for configuring complex measurement tasks, like those provided by the option GSM MS Analyzer (FS-K5). The CONFigure subsystem is closely linked to the functions of the FETCH and READ subsystems, where the measurement cycles are started and/or the results of the measurements are queried.

The purpose of the following commands is configuring the GSM MS Analyzer mode (Option FS-K5) for mobiles corresponding to the standards P-GSM, E-GSM, R-GSM, DCS1800 or PCS1900.

Note: Besides the notation *CONFigure:<command>* the instrument supports also the notation *CONFigure:MS:<command>* for reasons of compatibility with the FSE-family.

The CONFigure subsystem contains commands for configuring complex measurement tasks, like those provided by the options WCDMA 3G FDD BTS and MS (FS-K72/K73).

COMMAND	PARAMETERS	UNIT	COMMENT
CONFigure			Option FS-K5
:CHANnel			
:SLOT			
:MULTi	ACT1SYNC1 ACT2SYNC1 ACT2SYNC2 ACT3SYNC1 ACT3SYNC2 ACT3SYNC3 ACT4SYNC1 ACT4SYNC2 ACT4SYNC3 ACT4SYNC4 ACT8SYNC1 ACT8SYNC2 ACT8SYNC3 ACT8SYNC4 ACT8SYNC5 ACT8SYNC6 ACT8SYNC7 ACT8SYNC8	--	
:TSC	<numeric_value> USER	--	
:USER	<string>	--	
:PRATe	4 8		
:RESTore	--	--	no query
:MTYPe	GMSK EDGE		

CONFigure:CHANnel:SLOT:MULTi ACT1SYNC1 | ACT2SYNC1 | ACT2SYNC2 | ACT3SYNC1 | ACT3SYNC2 | ACT3SYNC3 | ACT4SYNC1 | ACT4SYNC2 | ACT4SYNC3 | ACT4SYNC4 | ACT8SYNC1 | ACT8SYNC2 | ACT8SYNC3 | ACT8SYNC4 | ACT8SYNC5 | ACT8SYNC6 | ACT8SYNC7 | ACT8SYNC8

This command defines the used slots of the mobile.

The multislot setting defines how many adjacent slots are active and which of the active slots should be used for synchronization.

The following combinations are possible:

ACT1SYNC1	1 active slot	synchronization to 1st active slot
ACT2SYNC1	2 active slots	synchronization to 1st active slot
ACT2SYNC2	2 active slots	synchronization to 2nd active slot
ACT3SYNC1	3 active slots	synchronization to 1st active slot
ACT3SYNC2	3 active slots	synchronization to 2nd active slot
ACT3SYNC3	3 active slots	synchronization to 3rd active slot
ACT4SYNC1	4 active slots	synchronization to 1st active Slot
ACT4SYNC2	4 active slots	synchronization to 2nd active slot
ACT4SYNC3	4 active slots	synchronization to 3rd active slot
ACT4SYNC4	4 active slots	synchronization to 4th active slot
ACT8SYNC1	8 active slots	synchronization to 1st active slot
ACT8SYNC2	8 active slots	synchronization to 2nd active slot
ACT8SYNC3	8 active slots	synchronization to 3rd active slot

ACT8SYNC4	8 active slots	synchronization to 4th active slot
ACT8SYNC5	8 active slots	synchronization to 5th active slot
ACT8SYNC6	8 active slots	synchronization to 6th active slot
ACT8SYNC7	8 active slots	synchronization to 7th active slot
ACT8SYNC8	8 active slots	synchronization to 8th active slot

For the phase-frequency error, modulation accuracy and power vs. time measurement the midamble (trainingssequence) for the slot to synchronize must be set correctly!

The reference measurement of power vs. time measurement and the questionable signal power of the main measurement is related to the slot to synchronize. In the main measurement of power vs. time the slot to synchronize defines the synchronization point of the multislot signal on the screen. All results of the phase-frequency error and modulation accuracy measurement are related to the slot to synchronize.

In carrier power and modulation spectrum measurement the slot to synchronize is used to adjust the triggerdelay in order that the slot to synchronize is measured.

With the slot to synchronize it is therefore possible to investigate a certain slot of multislot signals.

This command is only available with the GSM MS Analyzer FS-K5 option.

Parameter: ACT1SYNC1 | ACT2SYNC1 | ACT2SYNC2 | ACT3SYNC1 | ACT3SYNC2 | ACT3SYNC3 | ACT4SYNC1 | ACT4SYNC2 | ACT4SYNC3 | ACT4SYNC4

Example: "INST MGSM" 'Switches the instrument to GSM MS mode
 "CONF:CHAN:SLOT:MULTI ACT3SYNC2" 'Selects the multislot configuration with
 '3 adjacent active slots and
 'synchronization on the 2nd (middle)

Characteristics: *RST value: ACT1SYNC1 (one slot active)
 SCPI: device-specific

Mode: MS

CONFigure:CHANnel:TSC <numeric_value> | USER

This command selects the midamble used by the mobile. With selection USER, the user defined midamble set with command CONFigure:CHANnel:TSC:USER is used. It is only available in GSM MS mode (FS-K5).

Note: *The selected midamble is only significant for GSM MS measurements modulation accuracy (MAC), phase/frequency error (PFE) and power versus time (PVT).*

Parameter: <numeric_value> ::= 0 to 7 (training sequence for normal burst)
 USER (the TSC set with CONF:CHAN:TSC:USER is used)

Example: "INST MGSM" ' Switches the instrument to GSM MS mode
 "CONF:CHAN:TSC 3" ' Selects TSC 3

Characteristics: *RST value: 0
 SCPI: device-specific

Mode: MS

CONFigure:REStore

This command restores the GSM limit lines. All previous changes to the GSM limit lines are lost, and the default Limit Lines from the delivery state are restored.

This command is only available with GSM MS Analyzer FS-K5 option .

Example: "INST MGSM" 'Switches the instrument to GSM MS mode
 "CONF:REST" Set the GSM limit lines to default

Characteristics: *RST value: --
 SCPI: device-specific

Mode: A, MS

This command is an event and therefore has no query and no *RST value.

CONFigure:MTYPe GMSK | EDGE

This command selects modulation type GMSK or EDGE.

A running GSM measurement is aborted when the modulation type is changed. It has to be explicitly selected again by using one of the CONFigure commands.

Example: "INST MGSM" 'Switches the instrument to GSM MS mode
 "CONF:MTYP EDGE" 'Selects modulation type EDGE (8PSK)
 "CONF:BURS:MACC" 'Selects the MAC measurement
 "SWE:COUN 20" 'Sets the number of bursts
 "INIT:IMM;*WAI" 'Starts the measurement

Characteristics: *RST value: GMSK
 SCPI: device-specific

Mode: MS

CONFigure:BURSt - Subsystem

This subsystem provides the commands for configuring the measurements in the GSM MS mode (option FS-K5) which are performed on individual bursts:

- Carrier Power (CPW),
- Modulation Accuracy (MAC),
- Phase-Frequency Error (PFE),
- Power vs. Time (PVT).

COMMAND	PARAMETERS	UNIT	COMMENT
CONFigure			Option FS-K5
:BURSt			
:PFErroR			
[:IMMediate]			no query
:MACCuracy			
[:IMMediate]			no query
:POWer			
[:IMMediate]			no query
:PTEmplate			
[:IMMediate]			no query
:SElect	FULL TOP RISing FALLing		

CONFigure:BURSt:PFErroR[:IMMediate]

This command selects measurement of the phase and frequency error of the mobile (PFE).

When the measurement is started the analyzer is automatically set to single sweep.

This command is only available in GSM MS mode (FS-K5) and when modulation type GMSK is selected (CONFigure:MTYPE GMSK).

Example:

"INST MGSM"	'Switches the instrument to GSM MS mode
"CONF:MTYP GMSK"	'Selects modulation type GMSK
"CONF:BURS:PFEr"	'Selects the PFE measurement
"SWE:COUN 20"	'Sets the number of bursts
"INIT:IMM;*WAI"	'Executes the measurement

Characteristics: *RST value: --
 SCPI: device-specific

Mode: MS

This command is an event and therefore has no query and no *RST value .

CONFigure:BURSt:MACCuracy[:IMMediate]

This command selects measurement of the modulation accuracy of the mobile (MAC).
 When the measurement is started the analyzer is automatically set to single sweep.
 This command is only available in GSM MS mode (option FS-K5) and when modulation type EDGE (CONFigure:MTYPe EDGE) is selected.

Example:

"INST M GSM"	'Switches the instrument to GSM MS mode
"CONF:MTYP EDGE"	'Selects modulation type EDGE (8PSK)
"CONF:BURS:MACC"	'Selects the MAC measurement
"SWE:COUN 20"	'Sets the number of bursts
"INIT:IMM;*WAI"	'Starts the measurement

Characteristics: *RST value: --
 SCPI: device-specific

Mode: MS

This command is an event and therefore has no query and no *RST value .

CONFigure:BURSt:POWER[:IMMediate]

This command selects measurement of the carrier power of the mobile (CPW).
 When the measurement is started the analyzer is automatically set to single sweep.
 This command is only available in GSM MS mode (FS-K5).

Example:

"INST M GSM"	'Switches the instrument to GSM MS mode
"CONF:BURS:POW"	'Selects the CPW measurement
"SWE:COUN 20"	'Sets the number of bursts
"INIT:IMM;*WAI"	'Executes the measurement

Characteristics: *RST value: --
 SCPI: device-specific

Mode: MS

This command is an event and therefore has no query and no *RST value .

CONFigure:BURSt:PTEMplate[:IMMediate]

This command selects measurement of power of the mobile vs. time (PVT).
 When the measurement is started the analyzer is automatically set to single sweep.
 This command is only available in GSM MS mode (FS-K5).

Example:

"INST M GSM"	'Switches the instrument to GSM MS mode
"CONF:BURS:PTEM"	'Selects the PVT measurement
"SWE:COUN 20"	'Sets the number of bursts
"INIT:IMM;*WAI"	'Executes the measurement

Characteristics: *RST value: --
 SCPI: device-specific

Mode: MS

This command is an event and therefore has no query and no *RST value .

CONFigure:BURSt:PTEmplate:SElect FULL | TOP | RISing | FALLing

This command defines the burst section to be measured.

FULL : full burst
RISing : rising edge
FALLing : falling edge
TOP : top high resolution, top of burst with smaller display range and therefore higher resolution on y axis (power axis)

This command is only available in GSM MS mode (FS-K5).

Example:

"INST M GSM"	'Switches the instrument to GSM MS mode
"CONF: BURS: PTEM"	'Selects the PVT measurement
"CONF: BURS: PTEM: SEL TOP"	'Selects the top high resolution mode
"SWE: COUN 20"	'Sets the number of bursts
"INIT: IMM; *WAI"	'Executes the measurement

Characteristics: *RST value: FULL
SCPI: device-specific

Mode: MS

CONFigure:SPECTrum - Subsystem

This subsystem provides the commands for configuring the measurements in their the GSM MS Analyzer mode (FS-K5) used to determine the power of the spectral contributions due to modulation and switching (modulation spectrum, transient spectrum).

COMMAND	PARAMETERS	UNIT	COMMENT
CONFigure			Option FS-K5
:SPECTrum			
:MODulation			
[:IMMEDIATE]	--	--	no query
:SWITChing			
[:IMMEDIATE]	--	--	no query

CONFigure:SPECTrum:MODulation[:IMMEDIATE]

This command selects measurement of the spectrum due to modulation (MOD).

The overview measurement in the frequency domain is directly started with command INITate[:IMMEDIATE], the list measurement in the time domain with command READ:SPECTrum:MODulation[:ALL]? .

When the measurement is started the analyzer is automatically set to single sweep. This command is only available in GSM MS mode (FS-K5).

Example:

```
"INST M GSM"           'Switches the instrument to GSM MS mode
"CONF:SPEC:MOD"        'Selects the MOD measurement
"SWE:COUN 20"          'Sets the number of bursts
"INIT:IMM;*WAI"        'Executes the overview measurement
```

Characteristics: *RST value: --
SCPI: device-specific

Mode: MS

This command is an event and therefore has no query and no *RST value .

CONFigure:SPECTrum:SWITChing[:IMMEDIATE]

This command selects measurement of the spectrum due to switching transients (TRA).

The overview measurement in the frequency domain is directly started with command INITate[:IMMEDIATE], the list measurement in the time domain with command READ:SPECTrum:MODulation[:ALL]? .

When the measurement is started the analyzer is automatically set to single sweep. This command is only available in GSM MS mode (FS-K5).

Example:

```
"INST M GSM"           'Switches the instrument to GSM MS mode
"CONF:SPEC:SWIT"       'Selects the TRA measurement
"SWE:COUN 20"          'Sets the number of bursts
"INIT:IMM;*WAI"        'Executes the overview measurement
```

Characteristics: *RST value: --
SCPI: device-specific

Mode: MS

This command is an event and therefore has no query and no *RST value .

CONFigure:SPURious - Subsystem

This subsystem provides commands for configuring the measurements in the GSM MS (FS-K5) Analyzer mode used for measuring the power of spurious emissions (SPU).

COMMAND	PARAMETERS	UNIT	COMMENT
CONFigure :SPURious [:IMMediate]	--	--	Option FS-K5 no query

CONFigure:SPURious[:IMMediate]

This command selects measurement of spurious emissions.

When the measurement is started the analyzer is automatically set to single sweep.

This command is only available in GSM MS mode (FS-K5).

Example:

```
"INST M GSM"      'Switches the instrument to GSM MS mode
"CONF : SPUR"     'Selects the SPU measurement
"SWE : COUN 20"   'Sets the number of bursts
"INIT : IMM ; *WAI" 'Executes the overview measurement
```

Characteristics: *RST value: --
SCPI: device-specific

Mode: MS

This command is an event and therefore has no query and no *RST value .

CONFigure:WCDPower - Subsystem

This subsystem provides the commands for configuring the Code Domain measurements (option FS-K72 or FS-K73).

COMMAND	PARAMETER	UNIT	COMMENT
CONFigure			
:WCDPower			
[:BTS]			Option FS-K72
:MEASurement	POWer ACLR ESpectrum OBANdwidth OBWidth WCDPower FDOMain TDOMain CCDF		
:CTABLE			
[:STATe]	<Boolean>		
:SElect	<file_name>		
:NAME	<file_name>		
:DATA	AUTO <numeric_value>, AUTO <numeric_value>..		
:COMment	<string>		
:COpy	<file_name>		
:DElete			
:CATalog?			
:MS			Option FS-K73
:MEASurement	POWer ACLR ESpectrum OBANdwidth OBWidth WCDPower FDOMain TDOMain CCDF		
:CTABLE			
[:STATe]	<Boolean>		
:SElect	<file_name>		
:NAME	<file_name>		
:DATA	<numeric_value>,<numeric_value>..		
:COMment	<string>		
:COpy	<file_name>		
:DElete			
:CATalog?			

CONFigure:WCDPower[:BTS]:MEASurement POWer | ACLR | ESpectrum | OBANdwidth | OBWidth | WCDPower | FDOMain | TDOMain | CCDF

This command selects a predefined measurement of WCDMA base station tests (option FS-K72). The settings of the predefined measurements are described in detail in the operating manual of the option.

Parameter:	POWer	Channel power measurement with predefined settings
	ACLR	Adjacent channel power measurement with predefined settings
	ESpectrum	Measurement of spectrum emission mask
	OBANdwidth OBWidth	Measurement of occupied power bandwidth
	WCDPower	Code domain power measurement. Same effect as command INSTRUMENT:SElect WCDPower, but setting of command INIT:CONT ON OFF remains unchanged.
	FDOMain	Overview measurement in the frequency domain with predefined settings
	TDOMain	Measurement of crest factor in the time domain with predefined settings
	CCDF	Measurement of complementary cumulative distribution function

Example: "CONF:WCDP:MEAS ACLR" 'Selects adjacent channel power measurement'

Characteristics: *RST value: WCDPower
SCPI: device-specific

Mode: 3G FDD BTS

CONFigure:WCDPower[:BTS]:CTABLE[:STATe] ON | OFF

This command switches the channel table on or off. On switching on, the measured channel table is stored under the name RECENT and switched on. After the RECENT channel table is switched on, another channel table can be selected with the command CONF:WCDP:CTAB:SEL.

Note:
The RECENT channel table must always be switched on first with the command CONF:WCDP:CTAB:STAT and then the required channel table can be selected with the command CONF:WCDP:CTAB:SEL.

Example: "CONF:WCDP:CTAB ON" 'Switches the channel table on'

Characteristics: *RST value: OFF
SCPI: device-specific

Mode: 3G FDD BTS

CONFigure:WCDPower[:BTS]:CTABLE:SElect <file_name>

This command selects a predefined channel table file. Before using this command, the RECENT channel table must be switched on first with the command CONF:WCDP:CTAB.

Example: "CONF:WCDP:CTAB:SEL "CTAB_1" 'Selects the predefined channel table file 'CTAB_1'

Characteristics: *RST value: "RECENT"
SCPI: device-specific

Mode: 3G FDD BTS

CONFigure:WCDPower[:BTS]:CTABLE:NAME <file_name>

This command selects an existing channel table or creates the name of a new channel table.

Example: "CONF:WCDP:CTAB:NAME "NEW_TAB" 'Creates the new channel table file "NEW_TAB"

Characteristics: *RST value: ""
SCPI: device-specific

Mode: 3G FDD BTS

CONFigure:WCDPower[:BTS]:CTABLE:DATA 2...9, 0...511,0 | 1,<numeric_value> | AUTO, 2 | 4 | 8 | 16,0 | 1,<numeric_value>...

This command defines the values of the selected channel table. Each line of the table consists of 8 values:

<code class>,<code number>,<use TFCI>,<timing offset | AUTO>,<pilot length>,<pitch>,<status>,<CDP relative [dB]>...

Code class: 2 to 9
Code number: 0 to 511

use TFCI: 0: not used, 1: used
 Timing offset: 0 to 38400, for code class 9, the step width is 512, else 256,
 for AUTO, the timing offset is calculated by the instrument
 Pilot length: code class 9:4
 code class 8:2, 4, 8
 code class 7:4, 8
 code class 5/6:8
 code class 2/3/4/16
 Pitch: 0: normal channel, 1: pitch channel
 Status: 0: not active, 1: active
 CDP relative: for setting commands any value, for query CDP relative value

Channels PICH, CPICH and PCCPCH may only be defined once. If channel CPICH or PCCPCH is missing in the command, it is automatically added at the end of the table.

Prior to this command, the name of the channel table has to be defined with command
 CONF : WCDP : CTAB : NAME.

Example: "CONF:WCDP:ctab:data 8,0,0,0,0,0,1,0.00,
 8,1,0,0,0,0,1,0.00,7,1,0,256,8,0,1,0.00"
 '2 channels are defined: CPICH, PCCPCH and a channel in code class 7

Characteristics: *RST value: -
 SCPI: device-specific

Mode: 3G FDD BTS

CONFigure:WCDPower[:BTS]:CTABLE:COMMeNT <string>

This command defines a comment for the selected channel table.

Prior to this command, the name of the channel table has to be defined with command
 CONF : WCDP : CTAB : NAME and the values of the table have to be defined with command
 CONF : WCDP : CTAB : DATA .

Example: "CONF:WCDP:CTAB:COMM "Comment for table 1"

Characteristics: *RST value: ""
 SCPI: device-specific

Mode: 3G FDD BTS

CONFigure:WCDPower[:BTS]:CTABLE:COpy <file_name>

This command copies one channel table onto another one. The channel table to be copied is selected with command CONF : WCDP : CTAB : NAME.

The name of the channel table may consist of max 8 characters.

Parameter: <file_name> ::= name of the new channel table'

Example: "CONF:WCDP:CTAB:COpy "CTAB_2" 'Copies the currently selected channel
 'table onto channel table 'CTAB_2

Characteristics: *RST value: --
 SCPI: device-specific

Mode: 3G FDD BTS

This command is an <Event> and therefore has no *RST value and no query.

CONFigure:WCDPower[:BTS]:CTABLE:DELeTe

This command deletes the selected channel table. The channel table to be deleted is selected with command `CONF:WCDP:CTAB:NAME`.

Example: `"CONF:WCDP:CTAB:DEL` 'Deletes the currently selected channel table

Characteristics: *RST value: --
 SCPI: device-specific

Mode: 3G FDD BTS

This command is an <Event> and therefore has no *RST value and no query.

CONFigure:WCDPower[:BTS]:CTABLE:CATalog?

This command reads out the names of all channel tables stored on the hard disk.

Syntax of output format:

<Sum of file lengths of all subsequent files>,<free memory on hard disk>,
 <1st file name>,,<1st file length>,<2nd file name>,,<2nd file length>,.....,<nth file name>,
 <nth file length>

Example: `"CONF:WCDP:CTAB:CAT?`

Characteristics: *RST value: --
 SCPI: device-specific

Mode: 33G FDD BTS

:CONFigure:WCDPower[:BTS]:CTABLE:REStore

This command restores all predefined channel tables.

Example: `" :CONF:WCDP:CTAB:REST`

Characteristics: *RST value: --
 SCPI: device-specific

Mode: WCDP

This command is an "event" and therefore has no *RST value and no query.

CONFigure:WCDPower:MS:MEASurement Power | ACLR | ESPectrum | OBANdwidth | OBWidth | WCDPower | FDOMain | TDOMain | CCDF

This command selects the measured data of WCDMA mobile station tests (option FS-K73) that are to be displayed. The settings of the predefined measurements are described in detail in the operating manual of the option.

Parameter:	POWER ACLR settings ESPectrum OBANdwith OBWidth WCDPower	Channel power measurement with predefined settings Adjacent channel power measurement (with predefined settings Measurement of spectrum emission mask Measurement of occupied power bandwidth Code domain power measurement. This selection has the same effect as command <code>INSTrument:SElect WCDPower</code> .
	FDOMain	Overview measurement in the frequency domain with predefined settings
	TDOMain	Measurement of crest factor in the time domain with predefined settings

	CCDF	Measurement of complementary cumulative distribution function
Example:	"CONF:WCDP:MS:MEAS ACLR"	'Selects adjacent channel power measurement'
Characteristics:	*RST value: WCDPower SCPI: device-specific	
Mode:	3G FDD MS	

CONFigure:WCDPower:MS:CTABLE[:STATe] ON | OFF

This command switches the channel table on or off. On switching on, the measured channel table is stored under the name RECENT and switched on. After the RECENT channel table is switched on, another channel table can be selected with the command CONF:WCDP:MS:CTAB:SEL.

Note:

The RECENT channel table must always be switched on first with the command CONF:WCDP:MS:CTAB:STAT and then the required channel table can be selected with the command CONF:WCDP:MS:CTAB:SEL.

Example:	"CONF:WCDP:MS:CTAB ON"	'Switches on the currently selected channel table'
Characteristics:	*RST value: OFF SCPI: device-specific	
Mode:	3G FDD MS	

CONFigure:WCDPower:MS:CTABLE:SElect <file_name>

This command selects a predefined channel table file. Before using this command, the RECENT channel table must be switched on first with the command CONF:WCDP:MS:CTAB:STAT.

Example:	"CONF:WCDP:MS:CTAB:SEL "CTAB_1"	'Selects channel table 'CTAB_1''
Characteristics:	*RST value: "RECENT" SCPI: device-specific	
Mode:	3G FDD MS	

CONFigure:WCDPower:MS:CTABLE:NAME <file_name>

This command selects an existing channel table or creates the name of a new channel table.

Example:	"CONF:WCDP:MS:CTAB:NAME "NEW_TAB"	'Creates the new channel table file "NEW_TAB''
Characteristics:	*RST value: "" SCPI: device-specific	
Mode:	3G FDD MS	

CONFigure:WCDPower:MS:CTABLE:DATA <numeric_value>,<numeric_value>...

This command defines the values of the selected channel table.

<pilot length>,<code class>,<number of active channels>,<CDP relative 1>,<CDP relative 2>,<CDP relative 3>,<CDP relative 4>,<CDP relative 5>,<CDP relative 6>

Pilot length:	pilot length of channel DPCCH
Code class:	code class of channel 1. I-mapped
Number of active channels:	0 to 6

CDP relative 1: measured value of channel 1, I-mapped, only when queried
 CDP relative 2: measured value of channel 2, I-mapped, only when queried
 CDP relative 3: measured value of channel 3, I-mapped, only when queried
 CDP relative 4: measured value of channel 4, I-mapped, only when queried
 CDP relative 5: measured value of channel 5, I-mapped, only when queried
 CDP relative 6: measured value of channel 6, I-mapped, only when queried

Prior to this command, the name of the channel table has to be defined with command
 CONF:WCDP:MS:CTAB:NAME.

Example: "CONF:WCDP:MS:CTAB:DATA 8,4,1"

Characteristics: *RST value: -
 SCPI: device-specific

Mode: 3G FDD MS

CONFigure:WCDPower:MS:CTABLE:COMMeNT <string>

This command defines a comment for the selected channel table.

Prior to this command, the name of the channel table has to be defined with command
 CONF:WCDP:MS:CTAB:NAME and the values of the table have to be defined with command
 CONF:WCDP:MS:CTAB:DATA .

Example: "CONF:WCDP:MS:CTAB:COMM "Comment for table 1"

Characteristics: *RST value: ""
 SCPI: device-specific

Mode: 3G FDD MS

CONFigure:WCDPower:MS:CTABLE:COpy <file_name>

This command copies one channel table onto another one. The channel table to be copied is
 selected with command CONF:WCDP:MS:CTAB:NAME .

The name of the channel table may consist of max 8 characters.

Parameter: <file_name> ::= name of the new channel table'

Example: "CONF:WCDP:MS:CTAB:COpy "CTAB_2"'Copies the currently selected
 'channel table onto channel
 'table 'CTAB_2

Characteristics: *RST value: --
 SCPI: device-specific

Mode: 3G FDD MS

This command is an <Event> and therefore has no *RST value and no query.

CONFigure:WCDPower:MS:CTABLE:DELeTe

This command deletes the selected channel table. The channel table to be deleted is selected with
 command CONF:WCDP:MS:CTAB:NAME .

Example: "CONF:WCDP:MS:CTAB:DEL'Deletes the currently selected channel table

Characteristics: *RST value: --
 SCPI: device-specific

Mode: 3G FDD MS

This command is an <Event> and therefore has no *RST value and no query.

CONFigure:WCDPower:MS:CTABLE:CATalog?

This command reads out the names of all channel tables stored on the hard disk.

Syntax of output format:

<Sum of file lengths of all subsequent files>,<free memory on hard disk>,
<1st file name>,,<1st file length>,<2nd file name>,,<2nd file length>,,...,<nth file name>,
<nth file length>.

Example: "CONF:WCDP:MS:CTAB:CAT?"

Characteristics: *RST value: --
SCPI: device-specific

Mode: 3G FDD MS

DIAGnostic Subsystem

The DIAGnostic subsystem contains the commands which support instrument diagnostics for maintenance, service and repair. In accordance with the SCPI standard, all of these commands are device-specific.

The measurement windows are selected by DIAGnostic1 (screen A) or DIAGnostic2 (screen B) .

COMMAND	PARAMETERS	UNIT	COMMENT
DIAGnostic<1 2> :SERVice :INPut [:SElect] :PULSed [:STATe] :PRATe :SFUNCTion :NSOurce :CSOurce [:POWer] :STESt :RESult? :HWINfo?	CALibration RF <Boolean> <numeric_value> <string> <Boolean> 	-- DBM	 no query query only query only

DIAGnostic<1|2>:SERVice:INPut[:SElect] CALibration | RF

This command toggles between the RF input on the front panel and the internal 128-MHz reference signal in the selected measurement window. The level of the 128-MHz signals can be selected by command `DIAG:SERV:CSOURCE`.

Example: "DIAG:SERV:INP CAL"

Characteristics: *RST value: RF
SCPI: device-specific

Mode: all

DIAGnostic<1|2>:SERVice:INPut:PULSed[:STATe] ON | OFF

This command toggles the calibration signal in the selected measurement window between pulsed and non-pulsed. The selection takes effect only if the RF input has been set to the internal reference signal using `DIAG:SERV:INP CAL`.

Example: "DIAG:SERV:INP CAL;
DIAG:SERV:INP:PULS ON"

Characteristics: *RST value: OFF
SCPI: device-specific

Mode: all

This command is only available in conjunction with the optional Broadband Calibration Source FSP-B15.

DIAGnostic<1|2>:SERVice:INPut:PULSed:PRATe 10 kHz | 62.5 kHz

This command selects the pulse rate for the pulsed calibration signal in the selected measurement window.

Available pulse frequencies are 10 kHz and 62.5 kHz

Example: "DIAG:SERV:INP:PRAT 62.5 kHz"

Characteristics: *RST value: 62.5 kHz
SCPI: device-specific

Mode: all

This command is only available in conjunction with the optional Broadband Calibration Source FSP-B15.

DIAGnostic<1|2>:SERVice:SFUNction <string>...

This command activates a service function which can be selected by indicating the five parameters: function group number, board number, function number, parameter 1 and parameter 2 (see service manual). The contents of the parameter string is identical to the code to be entered in the data entry field of manual operation.

The entry of a service function is accepted only if the system password Level 1 or Level 2 has been entered previously (command: SYSTem:SECurity).

The numeric suffix <1|2> is ignored with this command.

Note: *The service functions of the instrument are not identical to those of the FSE family. That is why the IEC/IEEE-bus command differs in syntax and data format.*

Example: "DIAG:SERV:SFUN '2.0.2.12.1'"

Characteristics: *RST value: -
SCPI: device-specific

Mode: all

DIAGnostic<1|2>:SERVice:NSOource ON | OFF

This command switches the 28-V supply of the noise source at the rear panel on or off.

The numeric suffix <1|2> is ignored with this command.

Example: "DIAG:SERV:NSO ON"

Characteristics: *RST value: OFF
SCPI: device-specific

Mode: all

DIAGnostic<1|2>:SERVice:CSOource[:POWer] <numeric_value>

This command switches the level of the 128 MHz reference signal source between 0 dBm and -30 dBm in the selected measurement window.

Example: "DIAG:SERV:CSO 0DBM"

Characteristics: *RST value: -30 dBm
SCPI: device-specific

Mode: all

DIAGnostic<1|2>:SERVice:STES:RESult?

This command reads the results of the selftest out of the instrument. The lines of the result table are output as string data separated by commas:

```
"Total Selftest Status: PASSED", "Date (dd/mm/yyyy): 09/07/1999
TIME: 16:24:54", "Runtime: 00:06", "...
```

The numeric suffix <1|2> is ignored with this command.

Example: "DIAG:SERV:STES:RES?"

Characteristics: *RST value: --
SCPI: device-specific

Mode: all

DIAGnostic<1|2>:SERVice:HWINfo?

This command queries the contents of the module info table. Table lines are output as string data and are separated by commas.

```
"<component 1>|<serial #>|<order #>|<model>|<HWC>|<rev>|<sub rev>",
"<component 2>|<serial #>|<order #>|<model>|<HWC>|<rev>|<sub rev>",...
```

The individual columns of the table are separated from each other by '|'.
The numeric suffix <1|2> is ignored with this command.

Example: "DIAG:SERV:HWIN?"

Result (shortened):

```
"RF_ATTEN_7|650551/007|1067.7684|02|00|20|04",
"IF-FILTER|648158/037|1093.5540|03|01|07|05",
..."
```

Characteristics: *RST value: --
SCPI: device-specific

Mode: all

DISPlay Subsystem

The DISPlay subsystem controls the selection and presentation of textual and graphic information as well as of measurement data on the display.

The measurement windows are selected by WINDow1 (screen A) or WINDow2 (screen B) .

COMMAND	PARAMETERS	UNIT	COMMENT
DISPlay			
:FORMat	SINGle SPLit		
:ANNotation			
:FREQuency	<Boolean>		
:LOGO	<Boolean>		
:PSAVe			
[:STATe]	<Boolean>		
:HOLDoff	1 to 60	--	
:CMAP<1 to 26>			
:DEFault<1 2>			
:HSL	0..1,0..1,0..1		
:PDEFined	BLACK BLUE BROWN GREEN CYAN RED MAGenta YELLOW WHITE DGRAY LGRAY LBLUE LGREEN LCYan LRED LMAGenta		no query
[:WINDow<1 2>]			
:SElect			
:TEXT			
[:DATA]	<string>		
:STATe	<Boolean>		
:TIME	<Boolean>		
:TRACe<1 to 3>			
:Y			
[:SCALE]	<numeric_value>	DB	
:MODE	ABSolute RELative		
:RLEVel	<numeric_value>	DBM	
:OFFSet	<numeric_value>	DB	
:RVALue	<numeric_value>	DB	
:RPOSition	<numeric_value>	PCT	Option FM demodulator
:PDIVision	<numeric_value>	DBM DB HZ	
:SPACing	LINear LOGarithmic	--	
:MODE	WRITe VIEW AVERAge MAXHold MINHold	--	
[:STATe]	<Boolean>	--	

DISPlay:FORMat SINGLE | SPLit

This command switches the measurement result display between FULL SCREEN and SPLIT SCREEN. The coupling of settings between screen A and screen B can be selected with the command INSTRument:COUPle.

In full-screen display the active measurement window can be selected with DISPlay:WINDow<1|2>:SElect.

Note: *This command is not available during active GSM measurements. For GSM MS mode, the display is always set to FULL SCREEN.*

Example: "DISP:FORM SPL" 'Switches the display to 2 measurement windows.

Characteristics: *RST value: SINGLE
SCPI: device-specific

Mode: A

DISPlay:ANNOtation:FREQuency ON | OFF

This command switches the X axis annotation on or off.

Example: "DISP:ANN:FREQ OFF"

Characteristics: *RST value: ON
SCPI: conforming

Mode: all

DISPlay:LOGO ON | OFF

This command switches the company logo on the screen on or off.

Example: "DISP:LOGO OFF"

Characteristics: *RST value: ON
SCPI: device-specific

Mode: all

DISPlay:PSAVe[:STATe] ON | OFF

This command switches on or off the power-save mode of the display. With the power-save mode activated the display including backlight is completely switched off after the elapse of the response time (see command DISPlay:PSAVe:HOLDoff).

Note: *This mode is recommended for preserving the display especially if the instrument is exclusively operated via remote control.*

Example: "DISP:PSAVe ON" 'Switches on the power-save mode.

Characteristics: *RST value: OFF
SCPI: device-specific

Mode: all

DISPlay:PSAVe:HOLDoff 1 to 60

This command sets the holdoff time for the power-save mode of the display. The available value range is 1 to 60 minutes, the resolution 1 minute. The entry is dimensionless.

Example: "DISP:PSAV:HOLD 30"

Characteristics: *RST value: 15
SCPI: device-specific

Mode: all

DISPlay:CMAP<1 to 26>:DEFault<1|2>

This command resets the screen colors of all display items to their default settings. Two default settings DEFault1 and DEFault2 are available. The numeric suffix of CMAP is irrelevant.

Example: "DISP:CMAP:DEF2" 'Selects default setting 2 for setting the colors.

Characteristics: *RST value: --
SCPI: conforming

Mode: all

This command is an event and therefore has no query and no *RST value .

DISPlay:CMAP<1 to 26>:HSL <hue>,<sat>,<lum>

This command defines the color table of the instrument.

Each numeric suffix of CMAP is assigned one or several graphical elements which can be modified by varying the corresponding color setting. The following assignment applies:

CMAP1	Background
CMAP2	Grid
CMAP3	Function field + status field + data entry text
CMAP4	Function field LED on
CMAP5	Function field LED warn
CMAP6	Enhancement label text
CMAP7	Status field background
CMAP8	Trace 1
CMAP9	Trace 2
CMAP10	Trace 3
CMAP11	Marker
CMAP12	Lines
CMAP13	Measurement status + limit check pass
CMAP14	Limit check fail
CMAP15	Table + softkey background
CMAP16	Table + softkey text
CMAP17	Table selected field text
CMAP18	Table selected field background
CMAP19	Table + data entry field opaq titlebar
CMAP20	Data entry field opaq text
CMAP21	Data entry field opaq background
CMAP22	3D shade bright part
CMAP23	3D shade dark part
CMAP24	Softkey state on
CMAP25	Softkey state data entry
CMAP26	Logo

Parameter: hue = TINT
sat = SATURATION
lum = BRIGHTNESS

The value range is 0 to 1 for all parameters.

Example: "DISP:CMAP2:HSL 0.3,0.8,1.0" Changes the grid color.

Characteristics: *RST value: --
SCPI: conforming

Mode: all

The values set are not changed by *RST.

DISPlay:CMAP<1 to 26>:PDEFined BLACK | BLUE | BROWn | GREen | CYAN | RED | MAGenta |
 YELLOW | WHITE | DGRAY | LGRAY | LBLUe | LGREen | LCYan
 | LRED | LMAGenta

This command defines the color table of the instrument using predefined color values. Each numeric suffix of CMAP is assigned one or several graphical elements which can be modified by varying the corresponding color setting.

The same assignment as for DISPlay:CMAP<1 to 26>:HSL applies.

Example: "DISP:CMAP2:PDEF GRE"

Characteristics: *RST value: --
 SCPI: conforming

Mode: all

The values set are not changed by *RST.

DISPlay[:WINDow<1|2>]:SElect

This command selects the active measurement window. WINDow1 corresponds to SCREEN A, WINDow2 to SCREEN B.

In FULL SCREEN mode, the measurements are only performed in the active measurement window. Measurements are therefore initiated in the active window and result queries (marker, trace data and other results) answered also in the active window.

Initiating measurements and querying results in the inactive window yields an error message (execution error).

In split screen mode, the selection of the active window for result queries is irrelevant.

- Note:**
- In FULL SCREEN mode, settings can also be performed in the inactive measurement window. They become effective as soon as the corresponding window becomes active.
 - This command is not available in GSM MS mode. In GSM MS mode, the display is always set to FULL SCREEN, which corresponds to SCREEN A and thus to WINDow1. WINDow1 is automatically selected when the GSM MS mode is activated with command INSTRument:SElect:MGSM.

Example: "DISP:WIND2:SEL 'Selects SCREEN B as active measurement window."

Characteristics: *RST value: SCREEN A active
 SCPI: device-specific

Mode: A

This command is an event and therefore has no query.

DISPlay[:WINDow<1|2>]:TEXT[:DATA] <string>

This command defines a comment (max. 20 characters) which can be displayed on the screen in the selected measurement window.

Example: "DISP:WIND2:TEXT 'Noise Measurement'"
 'Defines the title for screen B

Characteristics: *RST value: "" (empty)
 SCPI: conforming

Mode: all

DISPlay[:WINDow<1|2>]:TEXT:STATe ON | OFF

This command switches on or off the display of the comment (screen title) in the selected measurement window.

Example: "DISP:TEXT:STAT ON" 'Switches on the title of screen B.

Characteristics: *RST value: OFF
SCPI: conforming

Mode: all

DISPlay[:WINDow<1|2>]:TIME ON | OFF

This command switches on or off the screen display of date and time. The numeric suffix in WINDow<1|2> is irrelevant.

Example: "DISP:TIME ON"

Characteristics: *RST value: OFF
SCPI: device-specific

Mode: all

DISPlay[:WINDow<1|2>]:TRACe<1 to 3>:Y[:SCALe] 10dB to 200dB

This command defines the display range of the Y axis (level axis) in the selected measurement window with logarithmic scaling (DISP:TRAC:Y:SPAC LOG).

For linear scaling, (DISP:TRAC:Y:SPAC LIN | PERC) the display range is fixed and cannot be modified. The numeric suffix in TRACe<1 to 3> is irrelevant.

Example: "DISP:TRAC:Y 110dB"

Characteristics: *RST value: 100dB
SCPI: device-specific

Mode: all

DISPlay[:WINDow<1|2>]:TRACe<1 to 3>:Y[:SCALe]:MODE ABSolute | RELative

This command defines the scale type of the Y axis (absolute or relative) in the selected measurement window.

When SYSTem:DISPlay is set to OFF, this command has no immediate effect on the screen. The numeric suffix in TRACe<1 to 3> is irrelevant.

Example: "DISP:TRAC:Y:MODE REL"

Characteristics: *RST value: ABS
SCPI: device-specific

Mode: all

DISPlay[:WINDow<1|2>]:TRACe<1 to 3>:Y[:SCALe]:RLEVel -130dBm to 30dBm

This command defines the reference level in the selected measurement window. Depending on the coupling of the measurement windows, it is valid for both screens (INSTRument:COUPLe ALL) or only for the selected measurement window (INSTRument:COUPLe NONE).

With the reference level offset <> 0 the indicated value range of the reference level is modified by the offset.

The unit depends on the setting defined with CALCulate:UNIT. The numeric suffix in TRACe<1 to 3> is irrelevant.

Example: "DISP:TRAC:Y:RLEV -60dBm"

Characteristics: *RST value: -20dBm
SCPI: conforming

Mode: A, MS

DISPlay[:WINDow<1|2>]:TRACe<1 to 3>:Y[:SCALe]:RLEVel:OFFSet -200dB to 200dB

This command defines the offset of the reference level in the selected measurement window.

Depending on the coupling of the measurement windows, it is valid for both screens (INSTRument:COUPLe ALL) or only for the selected measurement window (INSTRument:COUPLe NONE).

The numeric suffix at TRACe<1 to 3> is irrelevant.

Example: "DISP:TRAC:Y:RLEV:OFFS -10dB"

Characteristics: *RST value: 0dB
SCPI: conforming

Mode: A, MS

DISPlay[:WINDow<1|2>]:TRACe<1 to 3>:Y[:SCALe]:RVALue <numeric_value>

If the tracking generator option or the external generator control option (FSP-B9/B10) is mounted and the normalization in the NETWORK mode is activated, this value defines the power value assigned to the reference position in the selected measurement window. This value corresponds to the parameter REFERENCE VALUE in manual operation.

The numeric suffix at TRACe<1 to 3> is irrelevant.

Example:

"DISP:TRAC:Y:RVAL 0"

'Sets the power value assigned to the
'reference position to 0 dB.

Characteristics: *RST value: 0 dB
SCPI: device specific

Modes: A, MS

DISPlay[:WINDow<1|2>]:TRACe<1 to 3>:Y[:SCALe]:RPOSition 0 to 100PCT

This command defines the position of the reference value in the selected measurement window. The numeric suffix in TRACe<1 to 3> is irrelevant.

In operating mode NETWORK (Tracking Generator /Ext. Generator Option FSP-B9/B10) with active normalization, RPOSition defines the reference point for the output of the normalized measurement results.

Example: "DISP:TRAC:Y:RPOS 50PCT"

Characteristics: *RST value: 100PCT(SPECTRUM mode)
50 PCT (NETWORK and FM DEMOD mode)
SCPI: conforming

Mode: A, MS

DISPlay[:WINDow<1|2>]:TRACe<1 to 3>:Y[:SCALe]:PDIVision <numeric_value>

This command defines the scaling of the Y axis in the current unit.

Example: "DISP:TRAC:Y:PDIV +1.20"

Characteristics: *RST value: -
SCPI: conforming

Mode: FM

The numeric suffix in TRACe<1 to 3> is irrelevant. The command is only available with option FS-K7 (FM Demodulator).

DISPlay[:WINDow<1|2>]:TRACe<1 to 3>:Y:SPACing LINear | LOGarithmic

This command toggles between linear and logarithmic display in the selected measurement window..

The numeric suffix in TRACe<1 to 3> is irrelevant.

Note: This command is not available during active GSM measurements.

Example: "DISP:TRAC:Y:SPAC LIN"

Characteristics: *RST value: LOGarithmic
SCPI: conforming

Mode: A

DISPlay[:WINDow<1|2>]:TRACe<1 to 3>:MODE WRITe | VIEW | AVERAge | MAXHold | MINHold

This command defines the type of display and the evaluation of the traces in the selected measurement window. WRITE corresponds to the Clr/Write mode of manual operation. The trace is switched off (= BLANK in manual operation) with `DISP:WIND:TRAC:STAT OFF`.

The number of measurements for AVERAge, MAXHold and MINHold is defined with the command `SENSe:AVERAge:COUNT` or `SENSe:SWEep:COUNT`. It should be noted that synchronization to the end of the indicated number of measurements is only possible in single sweep mode.

If calculation of average values is active, selection between logarithmic and linear averaging is possible. For more detail see command `SENSe:AVERAge:TYPE`.

Example:

"SWE:CONT OFF"	Switching to single-sweep mode.
"SWE:COUN 16"	'Sets the number of measurements to 16.
"DISP:WIND1:TRAC3:MODE MAXH"	'Switches on the calculation of the for 'trace 3 in screen A.
"INIT;*WAI"	'Starts the measurement and waits for the end of the '16 sweeps.

Characteristics: *RST value: WRITe for TRACe1, STATe OFF for TRACe2/3
SCPI: device-specific

Mode: all

DISPlay[:WINDow<1|2>]:TRACe<1 to 3>[:STATe] ON | OFF

This command switches on or off the display of the corresponding trace in the selected measurement window.

Example: "DISP:WIND1:TRAC3 ON"

Characteristics: *RST value: ON for TRACe1, OFF for TRACe2 to 4
SCPI: conforming

Mode: all

FETCh - Subsystem

The FETCh subsystem contains commands for reading out results of complex measurement tasks like those provided by the GSM MS mode (FS-K5). The FETCh subsystem is closely linked to the functions of the CONFigure and READ subsystems, where the measurement sequences are configured, the measurements are started and their results are queried.

FETCh:BURSt - Subsystem

This subsystem provides the commands for reading out results of measurements in GSM MS (option FS-K5) Analyzer mode, which are performed on individual bursts without starting the measurement by themselves:

- Phase-Frequency Error (PFE)
- Modulation Accuracy (MAC),
- Power vs Time (PVT),

COMMAND	PARAMETERS	UNIT	COMMENT
FETCh			Option FS-K5
:BURSt			
:PERRor			
:RMS			
:AVERage?	--	deg	query only
:MAXimum?	--	deg	query only
:PEAK			
:AVERage?	--	deg	query only
:MAXimum?	--	deg	query only
:FERRor			
:AVERage?	--	Hz	query only
:MAXimum?	--	Hz	query only
:IQOFset			
:AVERage?	--	%	query only
:MAXimum?	--	%	query only
:IQIMbalance			
:AVERage?	--	%	query only
:MAXimum?	--	%	query only
:PTEMplate			
:REFerence?	--	--	query only
:MACCuracy			
:RMS			
:AVERage?	--		query only
:MAXimum?	--		query only
:PEAK			
:AVERage?	--		query only
:MAXimum?	--		query only
:OSUPpress			
:AVERage?	--		query only
:MAXimum?	--		query only
:PERCentile			
:AVERage?	--		query only
:MAXimum?	--		query only
:FREQuency			
:AVERage?	--		query only
:MAXimum?	--		query only
:IQOFset			
:AVERage?	--	%	query only
:MAXimum?	--	%	query only
:IQIMbalance			
:AVERage?	--	%	query only
:MAXimum?	--	%	query only

FETCh:BURSt:PERRor:RMS:AVERage?

This command reads out the average of the RMS measurement of the phase error taken over the selected number of bursts.

This command is only available in GSM MS mode (FS-K5) and when measurement of the phase/frequency error is selected (see :CONFIgure:BURSt:PFERror).

Example:	"INST MGSM"	'Switches the instrument to GSM MS mode
	"CONF:MTYP GMSK"	'Selects the modulations type GMSK
	"CONF:BURS:PFER"	'Selects the PFE measurements
	"SWE:COUN 20"	'Sets the number of bursts
	"INIT:IMM;*WAI"	'Executes the measurement
	"FETC:BURS:PERR:RMS:AVER?"	'Queries the result

Characteristics: *RST value: --
SCPI: device-specific

Mode: MS

If no measurement has been performed yet, a query error results.

This command is an event and therefore has no query and no *RST value .

FETCh:BURSt:PERRor:RMS:MAXimum?

This command reads out the maximum of the RMS measurement of the phase error taken over the selected number of bursts.

This command is only available in GSM MS mode (FS-K5) and when measurement of the phase/frequency error is selected (see :CONFIgure:BURSt:PFERror).

Example:	"INST MGSM"	'Switches the instrument to GSM MS
modeModus		
	"CONF:MTYP GMSK"	'Selects the modulation type GMSK
	"CONF:BURS:PFER"	'Selects the PFE measurements
	"SWE:COUN 20"	'Sets the number of bursts
	"INIT:IMM;*WAI"	'Executes the measurement
	"FETC:BURS:PERR:RMS:MAX?"	'Queries the result

Characteristics: *RST value: --
SCPI: device-specific

Mode: MS

If no measurement has been performed yet, a query error results.

This command is an event and therefore has no query and no *RST value .

FETCh:BURSt:PERRor:PEAK:AVERage?

This command reads out the average of the PEAK measurement of the phase error taken over the selected number of bursts.

This command is only available in GSM MS mode (FS-K5) and when measurement of the phase/frequency error is selected (see :CONFIgure:BURSt:PFERror).

Example:

"INST MGSM"	'Switches the instrument to GSM MS mode
"CONF:MTYP GMSK"	'Selects the modulation type GMSK
"CONF:BURS:PFER"	'Selects the PFE measurement
"SWE:COUN 20"	'Sets the number of bursts
"INIT:IMM;*WAI"	'Executes the measurement
"FETC:BURS:PERR:PEAK:AVER?"	'Queries the result

Characteristics: *RST value: --
SCPI: device-specific

Mode: MS

If no measurement has been performed yet, a query error results.

This command is an event and therefore has no query and no *RST value .

FETCh:BURSt:PERRor:PEAK:MAXimum?

This command reads out the maximum of the PEAK measurement of the phase error taken over the selected number of bursts.

This command is only available in GSM MS mode (FS-K5) and when measurement of the phase/frequency error is selected (see :CONFIgure:BURSt:PFERror).

Example:

"INST MGSM"	'Switches the instrument to GSM MS mode
"CONF:MTYP GMSK"	'Selects the modulation type GMSK
"CONF:BURS:PFER"	'Selects the PFE measurement
"SWE:COUN 20"	'Sets the number of bursts
"INIT:IMM;*WAI"	'Executes the measurement
"FETC:BURS:PERR:PEAK:MAX?"	'Queries the result

Characteristics: *RST value: --
SCPI: device-specific

Mode: MS

If no measurement has been performed yet, a query error results.

This command is an event and therefore has no query and no *RST value .

FETCh:BURSt:FERRor:AVERage?

This command reads out the average of the frequency error measurement taken over the selected number of bursts.

This command is only available in GSM MS mode (FS-K5) and when measurement of the phase/frequency error is selected (see :CONFIgure:BURSt:PFERror).

Example:

"INST MGSM"	'Switches the instrument to GSM MS mode
"CONF:MTYP GMSK"	'Selects the modulation type GMSK
"CONF:BURS:PFER"	'Selects the PFE measurement
"SWE:COUN 20"	'Sets the number of bursts
"INIT:IMM;*WAI"	'Executes the measurement
"FETC:BURS:FERR:AVER?"	'Queries the result

Characteristics: *RST value: --
 SCPI: device-specific

Mode: MS

If no measurement has been performed yet, a query error results.
 This command is an event and therefore has no query and no *RST value .

FETCh:BURSt:FERRor:MAXimum?

This command reads out the maximum of the frequency error measurement taken over the selected number of bursts.

This command is only available in GSM MS mode (FS-K5) and when measurement of the phase/frequency error is selected (see :CONFIgure:BURSt:PFERror).

Example:

"INST MGSM"	'Switches the instrument to GSM MS mode
"CONF:MTYP GMSK"	'Selects the modulation type GMSK
"CONF:BURS:PFER"	'Selects the PFE measurement
"SWE:COUN 20"	'Sets the number of bursts
"INIT:IMM;*WAI"	'Executes the measurement
"FETC:BURS:FERR:MAX?"	'Queries the result

Characteristics: *RST value: --
 SCPI: device-specific

Mode: MS

If no measurement has been performed yet, a query error results.
 This command is an event and therefore has no query and no *RST value .

FETCh:BURSt:IQOFfset:AVERage?

This command reads out the average of the IQ DC offset measurement in % for the selected number of bursts.

It is only available in GSM MS mode (FS-K5) if phase/frequency error (PFE) measurement has been selected (s. CONFIgure:BURSt:PFERror).

Example:

"INST MGSM"	'Switches the instrument to GSM MS mode
"CONF:MTYP GMSK"	'Selects GMSK modulation
"CONF:BURS:PFER"	'Selects phase/frequency error (PFE) measurement
"SWE:COUN 20"	'Sets the number of bursts
"INIT:IMM;*WAI"	'Executes the measurement
"FETC:BURS:IQOF:AVER?"	Queries the result

Characteristics: *RST value: --
SCPI: device-specific

Mode: MS

If no measurement has been carried out yet, a query error is indicated. This command is a query and therefore has no *RST value.

FETCh:BURSt:IQOffset:MAXimum?

This command reads out the maximum of the IQ DC offset measurement in % for the selected number of bursts.

It is only available in GSM MS mode (FS-K5) if phase/frequency error (PFE) measurement has been selected (s. CONFigure:BURSt:PFError).

Example:

"INST MGSM "	'Switches the instrument to GSM MS mode
"CONF:MTYP GMSK "	'Selects GMSK modulation
"CONF:BURS:PFER "	'Selects phase/frequency error (PFE) measurement
"SWE:COUN 20 "	'Sets the number of bursts
"INIT:IMM;*WAI "	'Executes the measurement
"FETC:BURS:IQOF:MAX? "	'Queries the result

Characteristics: *RST value: --
SCPI: device-specific

Mode: MS

If no measurement has been carried out yet, a query error is indicated. This command is a query and therefore has no *RST value.

FETCh:BURSt:IQIMbalance:AVERage?

This command reads out the average of the IQ imbalance measurement in % for the selected number of bursts.

It is only available in GSM MS mode (FS-K5) if phase/frequency error (PFE) measurement has been selected (s. CONFigure:BURSt:PFError).

Example:

"INST MGSM "	'Switches the instrument to GSM MS mode
"CONF:MTYP GMSK "	'Selects GMSK modulation
"CONF:BURS:PFER "	'Selects phase/frequency error (PFE) measurement
"SWE:COUN 20 "	'Sets the number of bursts
"INIT:IMM;*WAI "	'Executes the measurement
"FETC:BURS:IQIM:AVER? "	'Queries the result

Characteristics: *RST value: --
SCPI: device-specific

Mode: MS

If no measurement has been carried out yet, a query error is indicated. This command is a query and therefore has no *RST value.

FETCh:BURSt:IQIMbalance:MAXimum?

This command reads out the maximum of the IQ imbalance measurement in % for the selected number of bursts.
 It is only available in GSM MS mode (FS-K5) if phase/frequency error (PFE) measurement has been selected (s. CONFigure:BURSt:PFERror).

Example:

"INST M GSM"	'Switches the instrument to GSM MS mode
"CONF:MTYP GMSK"	'Selects GMSK modulation
"CONF:BURS:PFER"	'Selects phase/frequency error (PFE) measurement
"SWE:COUN 20"	'Sets the number of bursts
"INIT:IMM;*WAI"	'Executes the measurement
"FETC:BURS:IQIM:MAX?"	'Queries the result

Characteristics: *RST value: --
 SCPI: device-specific

Mode: MS

If no measurement has been carried out yet, a query error is indicated. This command is a query and therefore has no *RST value.

FETCh:BURSt:PTEMplate:REFerence?

This command reads out the results of the premeasurement of power vs. time (PVT).
 The result is output as a list of partial result strings separated by ',' in the following (ASCII) format:

```
<Level1>,<Level2>,<RBW>
<Level1>:      measured level
<Level2>:      level corrected by means of the bandwidth
<RBW>:         bandwidth
```

This command is only available in GSM MS mode (FS-K5) and when measurement of the power vs. time is selected (see :CONFigure:BURSt:PTEMplate).

Example:

"INST M GSM"	'Switches the instrument to GSM MS mode
"CONF:MTYP GMSK"	'Selects the modulation type GMSK
"CONF:BURS:PTEM"	'Selects the PVT measurement
"READ:BURS:PTEM:REF?"	'Executes the premeasurement
"FETC:BURS:PTEM:REF?"	'Queries the result

Result: 43.2,43.2,1000000

Characteristics: *RST value: --
 SCPI: device-specific

Mode: MS

If no measurement has been performed yet, a query error results.
 This command is an event and therefore has no query and no *RST value .

FETCh:BURSt:MACCuracy:RMS:AVERage?

This command reads out the average of the RMS-measurement of the error vector magnitude taken over the selected number of bursts.

This command is only available with GSM MS Analyzer (option FS-K5) and when measurement of the modulation accuracy is selected (`CONFigure:BURSt:MACCuracy[:IMMEDIATE]`).

Example:

"INST MGSM"	'Switches the instrument to GSM MS mode
"CONF:MTYP EDGE"	'Selects the modulation type EDGE (8PSK)
"CONF:BURS:MACC"	'Selects the MAC measurement
"SWE:COUN 20"	'Sets the number of bursts
"INIT:IMM;*WAI"	'Starts the measurement
"FETC:BURS:MACC:RMS:AVER?"	'Queries the result

Characteristics: *RST value: --
SCPI: device-specific

Mode: MS

If no measurement has been performed yet, a query error results.

This command is an event and therefore has no query and no *RST value .

FETCh:BURSt:MACCuracy:RMS:MAXimum?

This command reads out the maximum of the RMS-measurement of the error vector magnitude taken over the selected number of bursts.

This command is only available with GSM MS Analyzer (option FS-K5) and when measurement of the modulation accuracy is selected (see `CONFigure:BURSt:MACCuracy[:IMMEDIATE]`).

Example:

"INST MGSM"	'Switches the instrument to GSM MS mode
"CONF:MTYP EDGE"	'Selects modulation type EDGE (8PSK)
"CONF:BURS:MACC"	'Selects the MAC measurement
"SWE:COUN 20"	'Sets the number of bursts
"INIT:IMM;*WAI"	'Starts the measurement
"FETC:BURS:MACC:RMS:MAX?"	'Queries the result

Characteristics: *RST value: --
SCPI: device-specific

Mode: MS

If no measurement has been performed yet, a query error results.

This command is an event and therefore has no query and no *RST value .

FETCh:BURSt:MACCuracy:PEAK:AVERage?

This command reads out the average of the PEAK-measurement of the error vector magnitude taken over the selected number of bursts.

This command is only available with GSM MS Analyzer (option FS-K5) and when measurement of the modulation accuracy is selected (see CONFigure:BURSt:MACCuracy[:IMMEDIATE]).

Example:

"INST MGSM"	'Switches the instrument to GSM MS mode
"CONF:MTYP EDGE"	'Selects modulation type EDGE (8PSK)
"CONF:BURS:MACC"	'Selects the MAC measurement
"SWE:COUN 20"	'Sets the number of bursts
"INIT:IMM;*WAI"	'Starts the measurement
"FETC:BURS:MACC:PEAK:AVER?"	'Queries the result

Characteristics: *RST value: --
 SCPI: device-specific

Mode: MS

If no measurement has been performed yet, a query error results.

This command is an event and therefore has no query and no *RST value .

FETCh:BURSt:MACCuracy:PEAK:MAXimum?

This command reads out the maximum of the PEAK-measurement of the error vector magnitude taken over the selected number of bursts.
 This command is only available with GSM MS Analyzer (option FS-K5) and when measurement of the modulation accuracy is selected (see `CONFigure:BURSt:MACCuracy[:IMMEDIATE]`).

Example:

"INST MGSM"	'Switches the instrument to GSM MS mode
"CONF:MTYP EDGE"	'Selects modulation type EDGE (8PSK)
"CONF:BURS:MACC"	'Selects the MAC measurement
"SWE:COUN 20"	'Sets the number of bursts
"INIT:IMM;*WAI"	'Starts the measurement
"FETC:BURS:MACC:PEAK:MAX?"	'Queries the result

Characteristics: *RST value: --
 SCPI: device-specific

Mode: MS

If no measurement has been performed yet, a query error results.
 This command is an event and therefore has no query and no *RST value .

FETCh:BURSt:MACCuracy:OSUPpress:AVERage?

This command reads out the average of the original offset suppression measurement taken over the selected number of bursts.
 This command is only available with GSM MS Analyzer (option FS-K5) and when measurement of the modulation accuracy is selected (see `CONFigure:BURSt:MACCuracy[:IMMEDIATE]`).

Example:

"INST MGSM"	'Switches the instrument to GSM MS mode
"CONF:MTYP EDGE"	'Selects modulation type EDGE (8PSK)
"CONF:BURS:MACC"	'Selects the MAC measurement
"SWE:COUN 20"	'Sets the number of bursts
"INIT:IMM;*WAI"	'Starts the measurement
"FETC:BURS:MACC:OSUP:AVER?"	'Queries the result

Characteristics: *RST value: --
 SCPI: device-specific

Mode: MS

If no measurement has been performed yet, a query error results.
 This command is an event and therefore has no query and no *RST value .

FETCh:BURSt:MACCuracy:OSUPpress:MAXimum?

This command reads out the maximum of the original offset suppression measurement taken over the selected number of bursts.

This command is only available with GSM MS Analyzer (option FS-K5) and when measurement of the modulation accuracy is selected (see `CONFigure:BURSt:MACCuracy[:IMMEDIATE]`).

Example:

"INST MGSM"	'Switches the instrument to GSM MS mode
"CONF:MTYP EDGE"	'Selects modulation type EDGE (8PSK)
"CONF:BURS:MACC"	'Selects the MAC measurement
"SWE:COUN 20"	'Sets the number of bursts
"INIT:IMM;*WAI"	'Starts the measurement
"FETC:BURS:MACC:OSUP:MAX?"	'Queries the result

Characteristics: *RST value: --
 SCPI: device-specific

Mode: MS

If no measurement has been performed yet, a query error results.
 This command is an event and therefore has no query and no *RST value .

FETCh:BURSt:MACCuracy:PERCentile:AVERage?

This command reads out the average of the 95% percentile measurement taken over the selected number of bursts.

This command is only available with GSM MS Analyzer (option FS-K5) and when measurement of the modulation accuracy is selected (see `CONFigure:BURSt:MACCuracy[:IMMEDIATE]`).

Example:

"INST MGSM"	'Switches the instrument to GSM MS mode
"CONF:MTYP EDGE"	'Selects modulation type EDGE (8PSK)
"CONF:BURS:MACC"	'Selects the MAC measurement
"SWE:COUN 20"	'Sets the number of bursts
"INIT:IMM;*WAI"	'Starts the measurement
"FETC:BURS:MACC:PERC:AVER?"	'Queries the result

Characteristics: *RST value: --
 SCPI: device-specific

Mode: MS

If no measurement has been performed yet, a query error results.
 This command is an event and therefore has no query and no *RST value .

FETCh:BURSt:MACCuracy:PERCentile:MAXimum?

This command reads out the maximum of the 95% percentile measurement taken over the selected number of bursts.

This command is only available with GSM MS Analyzer (option FS-K5) and when measurement of the modulation accuracy is selected (see `CONFigure:BURSt:MACCuracy[:IMMEDIATE]`).

Example:

"INST MGSM"	'Switches the instrument to GSM MS mode
"CONF:MTYP EDGE"	'Selects modulation type EDGE (8PSK)
"CONF:BURS:MACC"	'Selects the MAC measurement
"SWE:COUN 20"	'Sets the number of bursts
"INIT:IMM;*WAI"	'Starts the measurement
"FETC:BURS:MACC:PERC:MAX?"	'Queries the result

Characteristics: *RST value: --
SCPI: device-specific

Mode: MS

If no measurement has been performed yet, a query error results.

This command is an event and therefore has no query and no *RST value .

FETCh:BURSt:MACCuracy:FREQuency:AVERAge?

This command reads out the average of the frequency error measurement taken over the selected number of bursts.

This command is only available with GSM MS Analyzer (option FS-K5) and when measurement of the modulation accuracy is selected (see `CONFigure:BURSt:MACCuracy[:IMMEDIATE]`).

Example:

"INST MGSM"	'Switches the instrument to GSM MS mode
"CONF:MTYP EDGE"	'Selects modulation type EDGE (8PSK)
"CONF:BURS:MACC"	'Selects the MAC measurement
"SWE:COUN 20"	'Sets the number of bursts
"INIT:IMM;*WAI"	'Starts the measurement
"FETC:BURS:MACC:FREQ:AVER?"	'Queries the result

Characteristics: *RST value: --
SCPI: device-specific

Mode: MS

If no measurement has been performed yet, a query error results.

This command is an event and therefore has no query and no *RST value .

FETCh:BURSt:MACCuracy:FREQuency:MAXimum?

This command reads out the maximum of the frequency error measurement taken over the selected number of bursts.

This command is only available with GSM MS Analyzer (option FS-K5) and when measurement of the modulation accuracy is selected (see CONFigure:BURSt:MACCuracy[:IMMEDIATE]).

Example:

"INST MGSM"	'Switches the instrument to GSM MS mode
"CONF:MTYP EDGE"	'Selects modulation type EDGE (8PSK)
"CONF:BURS:MACC"	'Selects the MAC measurement
"SWE:COUN 20"	'Sets the number of bursts
"INIT:IMM;*WAI"	'Starts the measurement
"FETC:BURS:MACC:FREQ:MAX?"	'Queries the result

Characteristics: *RST value: --
SCPI: device-specific

Mode: MS

If no measurement has been performed yet, a query error results.

This command is an event and therefore has no query and no *RST value .

FETCh:BURSt:MACCuracy:IQOFfset:AVERAge?

This command reads out the average of the IQ DC offset measurement in % for the selected number of bursts.

It is only available in conjunction with the option GSM MS Analyzer FS-K5 if modulation accuracy measurement has been selected (CONFigure:BURSt:MACCuracy[:IMMEDIATE]).

Example:

"INST MGSM"	'Switches the instrument to GSM MS mode
"CONF:MTYP EDGE"	'Selects EDGE modulation (8PSK)
"CONF:BURS:MACC"	'Selects modulation accuracy (MAC) measurement
"SWE:COUN 20"	'Sets the number of bursts
"INIT:IMM;*WAI"	'Executes the measurement
"FETC:BURS:MACC:IQOF:AVER?"	'Queries the result

Characteristics: *RST value: --
SCPI: device-specific

Mode: MS

If no measurement has been carried out yet, a query error is indicated.

This command is a query and therefore has no *RST value.

FETCh:BURSt:MACCuracy:IQOffset:MAXimum?

This command reads out the maximum of the IQ DC offset measurement in % for the selected number of bursts.

It is only available in conjunction with the option GSM MS Analyzer FS-K5 if modulation accuracy measurement has been selected (CONFigure:BURSt:MACCuracy[:IMMediate]).

Example:

"INST MGSM"	'Switches the instrument to GSM MS mode
"CONF:MTYP EDGE"	'Selects EDGE modulation (8PSK)
"CONF:BURS:MACC"	'Selects modulation accuracy (MAC) measurement
"SWE:COUN 20"	'Sets the number of bursts
"INIT:IMM;*WAI"	'Executes the measurement
"FETC:BURS:MACC:IQOF:MAX?"	'Queries the result

Characteristics: *RST value: --
SCPI: device-specific

Mode: MS

If no measurement has been carried out yet, a query error is indicated.
This command is a query and therefore has no *RST value.

FETCh:BURSt:MACCuracy:IQImbalance:AVERage?

This command reads out the average of the IQ imbalance measurement in % for the selected number of bursts.

It is only available in conjunction with the option GSM MS Analyzer FS-K5 if modulation accuracy measurement has been selected (CONFigure:BURSt:MACCuracy[:IMMediate]).

Example:

"INST MGSM"	'Switches the instrument to GSM MS mode
"CONF:MTYP EDGE"	'Selects EDGE modulation (8PSK)
"CONF:BURS:MACC"	'Selects modulation accuracy (MAC) measurement
"SWE:COUN 20"	'Sets the number of bursts
"INIT:IMM;*WAI"	'Executes the measurement
"FETC:BURS:MACC:IQIM:AVER?"	'Queries the result

Characteristics: *RST value: --
SCPI: device-specific

Mode: MS

If no measurement has been carried out yet, a query error is indicated.
This command is a query and therefore has no *RST value.

FETCh:BURSt:MACCuracy:IQIMbalance:MAXimum?

This command reads out the maximum of the IQ imbalance measurement in % for the selected number of bursts.

It is only available in conjunction with the option GSM MS Analyzer FS-K5 if modulation accuracy measurement has been selected (CONFigure:BURSt:MACCuracy[:IMMEDIATE]).

Example:

"INST MGSM"	'Switches the instrument to GSM MS mode
"CONF:MTYP EDGE"	'Selects EDGE modulation (8PSK)
"CONF:BURS:MACC"	'Selects modulation accuracy (MAC) measurement
"SWE:COUN 20"	'Sets the number of bursts
"INIT:IMM;*WAI"	'Executes the measurement
"FETC:BURS:MACC:IQIM:MAX?"	'Queries the result

Characteristics: *RST value: --
 SCPI: device-specific

Mode: MS

If no measurement has been carried out yet, a query error is indicated.
 This command is a query and therefore has no *RST value.

FETCh:PTEMplate Subsystem

Note: This subsystem was taken over from application firmware FSE-K10 for reasons of compatibility. It is replaced by the command FETCh:BURSt:PTEMplate:REFErence?. See detailed description at command FETCh:BURSt:PTEMplate:REFErence?.

COMMAND	PARAMETERS	UNIT	COMMENT
FETCh :PTEMplate :REFErence?	--	--	Option FS-K5 query only

FETCh:SPECTrum Subsystem

This subsystem provides the commands for reading out results of measurements in the GSM MS (FS-K5) mode, used to measure the power of the spectral contributions due to modulation and switching without first restarting a new measurement.

Spectrum due to modulation(MOD)

Spectrum due to transient (TRA).

COMMAND	PARAMETERS	UNIT	COMMENT
FETCh			Option FS-K5
:SPECTrum			
:MODulation			
[:ALL?]	ARFCn	--	query only
:REFerence?	--	--	query only
:SWITching			
[:ALL?]	--	--	query only

FETCh:SPECTrum:MODulation[:ALL]? ARFCn

This command reads out the result of the measurement of the modulation spectrum of the mobile.

Parameter: ARFCn::= ARFCN ± 1.8 MHz

The result is output as a list of partial result strings separated by ',' in the following (ASCII) format:

```
<Index>,<Freq1>,<Freq2>,<Level>,<Limit>, <Abs/Rel>,<Status> [,
<Index>,<Freq1>,<Freq2>,<Level>,<Limit>, <Abs/Rel>,<Status>]...
```

where the parts between '[...]' denote a partial result string that can be repeated n times.

<Index>: 0, if the partial result string characterizes a measurement range
current number <>0,
if the partial result string characterizes a single
limit excess.

<Freq1>: Start frequency of the measurement range or
frequency where the limit line is exceeded

<Freq2>: Start frequency of the measurement range or
frequency exceeding the measurement range. The value of
<Freq2> is equal to the value of <Freq1>, if either the
measurement is performed in the time domain or if the
partial result string contains a limit excess.

<Level>: Measured maximum level of the partial range or
measured level at the test point.

<Limit>: Limit in the partial range or at the test point

<Abs/Rel>: ABS <Level> and <Limit> are in absolute units (dBm)
REL <Level> and <Limit> are in relative units (dB)

<Status>: Result of the limit check in character data form:
PASSED no limit exceeded
FAILED limit exceeded
MARGIN margin exceeded

The frequencies <Freq1> and <Freq2> are always absolute i. e. not referred to the carrier frequency.

This command is only available with GSM MS Analyzer FS-K5 option and when modulation spectrum measurement is selected (see :CONFIGure:SPECTrum:MODulation).

Example:

"INST MGSMS"	'Switches the instrument to GSM MS mode
"CONF:SPEC:MOD"	'Selects the MOD measurement
"READ:SPEC:MOD:REF?"	'Executes the premeasurement and queries the result
"READ:SPEC:MOD?"	'Executes the measurement in the time domain and queries the result
"FETC:SPEC:MOD? ARFCn"	'Queries the result of the measurement in the time domain without starting a new measurement

Result: 0,890E6,915E6,-87.4,-108.0,ABS,FAILED,
1,893.2E6,893.2E6,-83.2,-108.0,ABS,FAILED,
2,895.7E6,895.7E6,-87.4,-108.0,ABS,FAILED

Characteristics: *RST value: --
SCPI: device-specific

Mode: MS

If no measurement has been performed yet, a query error results.
This command is an event and therefore has no query and no *RST value .

FETCh:SPECtrum:MODulation:REFerence?

This command reads out the results of the premeasurement of modulation due to spectrum measurement.

The result is output as a list of partial result strings separated by ',' in the following (ASCII) format:

<Level1>,<Level2>,<RBW>

<Level1>: measured level

<Level2>: level corrected by means of the bandwidth

<RBW>: bandwidth

This command is only available in GSM MS mode (FS-K5) and when the measurement of the modulation due to spectrum is selected (see :CONFigure:SPECtrum:MODulation).

Example:

"INST MGSMS"	'Switches the instrument to GSM MS mode
"CONF:SPEC:MOD"	'Selects the MOD measurement
"READ:SPEC:MOD:REF?"	'Executes the premeasurement and queries the result
"FETC:SPEC:MOD:REF?"	'Queries the result of the premeasurement without starting a new measurement

Result: 43.2,43.2,1000000

Characteristics: *RST value: --
SCPI: device-specific

Mode: MS

If no measurement has been performed yet, a query error results.
This command is an event and therefore has no query and no *RST value .

FETCh:SPECTrum:SWITching[:ALL]?

This command reads out the result of the measurement of the transient spectrum of the mobile.

The result is output as a list of partial result strings separated by ',' as for the command FETCh:SPECTrum:MODulation[:ALL]?

This command is only available in GSM MS mode (FS-K5) and when modulation spectrum measurement is selected (see :CONFIgure:SPECTrum:MODulation).

Example:

"INST M GSM"	'Switches the instrument to GSM MS mode
"CONF:SPEC:SWIT"	'Selects the TRA measurement
"READ:SPEC:SWIT?"	'Executes the measurement in the time domain and queries the result
"FETC:SPEC:SWIT?"	'Queries the result without starting a new measurement

Result:

```
0,833.4E6,833.4E6,37.4,-36.0,ABS,MARGIN,
1,834.0E6,834.0E6,-35.2,-36.0,ABS,FAILED,
2,834.6E6,834.6E6,-74.3,-75.0,REL,FAILED
0,835.0E6,835.0E6,-65,0,-60.0,REL,PASSED
```

Characteristics: *RST value: --
 SCPI: device-specific

Mode: MS

If no measurement has been performed yet, a query error results.
 This command is an event and therefore has no query and no *RST value .

FORMat Subsystem

The FORMat subsystem specifies the data format of the data transmitted from and to the instrument.

COMMAND	PARAMETERS	UNIT	COMMENT
FORMat [:DATA] :DEXPort :DSEParator	ASCIi REAL UINT[,<numeric_value>] POINt COMMa	-	

FORMat[:DATA] ASCii | REAL| UINT [, 8 | 32]

This command specifies the data format for the data transmitted from the instrument to the control PC.

The format settings below are valid for the binary transmission of trace data(see also TRACE:DATA?):

Mode SPECTRUM: REAL, 32

Mode 3G FDD: UINT, 8 with bit stream measurement
 REAL, 32 otherwise

Example: "FORM REAL, 32"
 "FORM ASC"
 "FORM UINT, 8"

Characteristics: *RST value: ASCII
 SCPI: conforming

Mode: all

The data format is either ASCII or one of the formats REAL . ASCII data are transmitted in plain text, separated by commas. REAL data are transmitted as 32-bit IEEE 754 floating-point numbers in the "definite length block format".

The FORMat command is valid for the transmission of trace data. The data format of trace data received by the instrument is automatically recognized, regardless of the format which is programmed.

Format setting for the binary transmission of trace data (see also TRACE:DATA?):

Analyzer mode: REAL, 32

FORMat:DEXPort:DSEParator POINt|COMMa

This command defines which decimal separator (decimal point or comma) is to be used for outputting measurement data to the file in ASCII format. Different languages of evaluation programs (e.g. MS-Excel) can thus be supported.

Example: "FORM:DEXP:DSEP POIN 'Sets the decimal point as separator.

Characteristics: *RST value: -- (factory setting is POINt; *RST does not affect setting)
 SCPI: device-specific

Mode: all

HCOPY Subsystem

The HCOpy subsystem controls the output of display information for documentation purposes on output devices or files. The instrument allows two independent printer configurations which can be set separately with the numeric suffix <1|2>.

COMMAND	PARAMETERS	UNIT	COMMENT
HCOPY			
:ABORt	--	--	no query
:CMAp<1 to 26>			
:DEFault<1 2 3>			
:HSL	0..1,0..1,0..1		
:PDEFined	BLACK BLUE BROWN GREEN CYAN RED MAGenta YELLOW WHITE DGRAY LGRAY LBLUE LGREEN LCYan LRED LMAGenta		
:DESTination<1 2>	<string>		no query
:DEVice			
:COLor	<Boolean>		
:LANGuage<1 2>	WMF GDI EWMF BMP		
[:IMMediate<1 2>]	--	--	no query
:ITEM			
:ALL			no query
:WINDow<1 2>			
:TABLE			
:STATe	<Boolean>		
:TEXT	<string>		
:TRACe			
:STATe	<Boolean>		
:PAGE			
:ORientation<1 2>	LANDscape PORTrait		

HCOPY:ABORt

This command aborts a running hardcopy output.

Example: "HCOP : ABOR "

Characteristics: *RST value: -
SCPI: conforming

Mode: all

This command is an event and therefore has no *RST value and no query.

HCOPY:CMAp<1 to 26>:DEFault1|2|3

This command resets the colors for a hardcopy to the selected default settings. DEFault1 (SCREEN COLORS, but background white), DEFault2 (OPTIMIZED COLOR SET) and DEFault3 (USER DEFINED). The numeric suffix in CMAP is not significant.

Example: "HCOP : CMAP : DEF 2 " 'selects OPTIMIZED COLOR SET for the color settings of a hardcopy.

Characteristics: *RST value: --
SCPI: conforming

Modes: all

This command is an event and therefore has no query and no *RST value.
This command is available from firmware version 1.40 or higher.

HCOPY:CMAP<1 to 26>:HSL <hue>,<sat>,<lum>

This command defines the color table in USER DEFINED COLORS mode.

To each numeric suffix of CMAP is assigned one or several picture elements which can be modified by varying the corresponding color setting. The following assignment applies:

CMAP1	Background
CMAP2	Grid
CMAP3	Function field + status field + data entry text
CMAP4	Function field LED on
CMAP5	Function field LED warn
CMAP6	Enhancement label text
CMAP7	Status field background
CMAP8	Trace 1
CMAP9	Trace 2
CMAP10	Trace 3
CMAP11	Marker
CMAP12	Lines
CMAP13	Measurement status + Limit check pass
CMAP14	Limit check fail
CMAP15	Table + softkey background
CMAP16	Table + softkey text
CMAP17	Table selected field text
CMAP18	Table selected field background
CMAP19	Table + data entry field opaque titlebar
CMAP20	Data entry field opaque text
CMAP21	Data entry field opaque background
CMAP22	3D shade bright part
CMAP23	3D shade dark part
CMAP24	Softkey state on
CMAP25	Softkey state data entry
CMAP26	Logo

Parameter: hue = tint
sat = saturation
lum = brightness

The value range is 0 to 1 for all parameters

Example: "HCOPY:CMAP2:HSL 0.3,0.8,1.0" ' changes the grid color

Characteristics: *RST value: --
SCPI: conforming

Modes: all

The values set are not changed by *RST.

This command is available from firmware version 1.40 or higher.

HCOPY:CMAP<1 to 26>:PDEFined BLACK | BLUE | BROWN | GREEN | CYAN | RED | MAGenta | YELLOW | WHITE | DGRAY | LGRAY | LBLUE | LGREEN | LCYan | LRED | LMAGenta

This command defines the color table in USER DEFINED COLORS using predefined color values. To each numeric suffix of CMAP is assigned one or several picture elements which can be modified by varying the corresponding color setting. The same assignment as for :HCOPY:CMAP<1 to 26>:HSL applies

Example: "HCOPY:CMAP2:PDEF GRE"

Characteristics: *RST value: --
SCPI: conforming

Modes: all

The values set are not changed by *RST.

HCOPY:DESTination<1|2> <string>

This command selects the printer output medium (Disk, Printer or Clipboard) associated with configuration 1 or 2.

Note: *The type of instrument is selected with SYSTEM:COMMunicate:PRINter:SElect, which will automatically select a default output medium. Therefore the command HCOpy:DESTination should always be sent after setting the device type.*

Parameter: <string>::= 'MMEM' | 'SYST:COMM:PRIN' | 'SYST:COMM:CLIP'

'MMEM' 'Directs the hardcopy to a file. Command MMEM:NAME <file_name> defines the file name. All formats can be selected for HCOpy:DEvIce:LANGuage.

'SYST:COMM:PRIN' 'Directs the hardcopy to the printer. The printer is selected with command 'SYSTEM:COMMunicate:PRINter:SElect. 'GDI should be selected for 'HCOpy:DEvIce:LANGuage.

'SYST:COMM:CLIP' 'Directs the hardcopy to the clipboard. EWmf should be selected for HCOpy:DEvIce:LANGuage.

Example: "SYST:COMM:PRIN:SEL2 'LASER on LPT1'" 'Selects the printer and output medium for device 2
"HCOPY:DEST2 'SYST:COMM:PRIN'" 'Selects the printer interface as device 2.

Characteristics: *RST value: -
SCPI: conforming

Mode: all

This command is an event and therefore has no *RST value and no query.

HCOPY:DEVIce:COLor ON|OFF

This command selects between color and monochrome hardcopy of the screen.

Example: "HCOP:DEV:COL ON"
Characteristics: *RST value: OFF
 SCPI: conforming
Mode: all

HCOPY:DEVIce:LANGUage<1|2> GDI | WMF | EWMF | BMP

This command determines the data format of the printout.

Parameter: GDI Graphics Device Interface:
 Default format for the output to a printer configured under Windows.
 Must be selected for the output to the printer interface (HCOPY:DEVIce 'SYST:COMM:PRIN').
 Can be used for the output to a file (HCOPY:DEVIce 'SYST:COMM:MMEM'). The printer driver configured under Windows is used in this case and a printer-specific file format is thus generated.

WMF and EWMF WINDOWS Metafile and Enhanced Metafile Format:
 Data formats for output files which can be integrated in corresponding programs for documentation purposes at a later time. WMF can only be used for output to a file (HCOPY:DEVIce 'SYST:COMM:MMEM') and EWMF also for the output to the clipboard (HCOPY:DEVIce 'SYST:COMM:CLIP').

BMP Bitmap.
 Data format for output to files only (HCOPY:DEVIce 'SYST:COMM:MMEM').

Example: "HCOP:DEV:LANG WMF"
Characteristics: *RST value: -
 SCPI: conforming
Mode: all

HCOPY[:IMMEDIATE<1|2>]

This command starts a hardcopy output. The numeric suffix selects which printer configuration (1 or 2) is to be used for the hardcopy output. If there is no suffix, configuration 1 is automatically selected.

HCOPY:IMM[1] 'Starts the hardcopy output to device 1 (default).
 HCOPI:IMM2 'Starts the output to device 2.

Example: "HCOP"
Characteristics: *RST value: -
 SCPI: conforming
Mode: all

This command is an event and therefore has no *RST value and no query.

HCOPY:ITEM:ALL

This command selects the complete screen to be output.

Example: "HCOP:ITEM:ALL"

Characteristics: *RST value: OFF
 SCPI: conforming

Mode: all

The hardcopy output is always provided with comments, title, time and date. As an alternative to the whole screen, only traces (commands 'HCOPY:DEVICE:WINDOW:TRACE:STATE ON') or tables (command 'HCOPY:DEVICE:WINDOW:TABLE:STATE ON') can be output.

HCOPY:ITEM:WINDOW<1|2>:TABLE:STATE ON | OFF

This command selects the output of the currently displayed tables.

Example: "HCOP:ITEM:WIND:TABL:STAT ON"

Characteristics: *RST value: OFF
 SCPI: device-specific

Mode: all

The command HCOPIY:DEVIce:ITEM:WINDow<1|2>:TABLe:STATe OFF as well as command HCOPIY:DEVIce:ITEM:ALL enables the output of the whole screen.

HCOPY:ITEM:WINDOW<1|2>:TEXT <string>

This command defines the comment text for measurement window 1 or 2 for printout, with a maximum of 100 characters; line feed by means of character @).

Example: "HCOP:ITEM:WIND2:TEXT `comment`"

Characteristics: *RST value: -
 SCPI: device-specific

Mode: all

HCOPY:ITEM:WINDOW<1|2>:TRACE:STATE ON | OFF

This command selects the output of the currently displayed trace.

Example: "HCOP:ITEM:WIND:TRACe:STAT ON"

Characteristics: *RST value: OFF
 SCPI: device-specific

Mode: all

The command HCOPIY:ITEM:WINDow<1|2>:TRACe:STATe OFF as well as command HCOPIY:ITEM:ALL enables the output of the whole screen.

HCOPY:PAGE:ORIENTATION<1|2> LANDscape | PORTrait

The command selects the format of the output (portrait and landscape) (hardcopy unit 1 or 2).

Note:

The command is only available provided that the output device "printer" (HCOPY:DEST 'SYST:COMM:PRIN') has been selected.

Example: "HCOPY:PAGE:ORI LAND"

Characteristics: *RST value: -
SCPI: conforming

Mode: all

INITiate Subsystem

The INITiate subsystem is used to control the init-measurement function in the selected measurement window. The measurement windows are assigned to INITiate1 (screen A) and INITiate2 (screen B).

COMMAND	PARAMETERS	UNIT	COMMENT
INITiate<1 2> :CONTinuous	<Boolean>	--	
:CONMeas	--	--	no query
[:IMMediate]	--	--	no query
:DISPlay	<Boolean>	--	

INITiate<1|2>:CONTinuous ON | OFF

This command determines whether the trigger system is continuously initiated (continuous) or performs single measurements (single).

In the spectrum analysis mode, this setting refers to the sweep sequence (switching between continuous/single sweep).

Example: "INIT2:CONT OFF" 'Switches the sequence in screen B to single sweep.

"INIT2:CONT ON" 'Switches the sequence to continuous sweep.

Characteristics: *RST value: ON
SCPI: conforming

Mode: all

INITiate<1|2>:CONMeas

This command continues a stopped measurement at the current position in single sweep mode. The function is useful especially for trace functions MAXHold, MINHold and AVERage if the previous results are not to be cleared with Sweep Count > 0 or Average Count > 0 on restarting the measurement (INIT:IMMediate resets the previous results on restarting the measurement).

The single-sweep mode is automatically switched on. Synchronization to the end of the indicated number of measurements can then be performed with the command *OPC, *OPC? or *WAI. In the continuous-sweep mode, synchronization to the sweep end is not possible since the overall measurement "never" ends.

Example: "INIT:CONT OFF" 'Switches to single-sweep mode.
"DISP:WIND:TRAC:MODE AVER" 'Switches on trace averaging.
"SWE:COUN 20" Setting the sweep counter to 20 sweeps.
"INIT;*WAI" 'Starts the measurement and waits for the
'end of the 20 sweeps.
"INIT:CONM;*WAI" 'Continues the measurement (next 20
'sequences) and waits for the end.

Characteristics: *RST value: -
SCPI: device-specific

Mode: A

This command is an event and therefore has no *RST value and no query.

INITiate<1|2>[:IMMediate]

The command initiates a new sweep in the indicated measurement window.

With Sweep Count > 0 or Average Count > 0, this means a restart of the indicated number of measurements. With trace functions MAXHold, MINHold and AVERage, the previous results are reset on restarting the measurement.

In single sweep mode, synchronization to the end of the indicated number of measurements can be achieved with the command *OPC, *OPC? or *WAI. In continuous-sweep mode, synchronization to the sweep end is not possible since the overall measurement never ends.

Example:

"INIT:CONT OFF"	'Switches to single-sweep mode.
"DISP:WIND:TRAC:MODE AVER"	'Switches on trace averaging.
"SWE:COUN 20"	Setting the sweep counter to 20 sweeps.
"INIT;*WAI"	'Starts the measurement and waits for the end of the 20 sweeps.

Characteristics: *RST value: -
SCPI: conforming

Mode: all

This command is an event and therefore has no *RST value and no query.

INITiate<1|2>:DISPlay ON | OFF

This command configures the behavior of the display during a single sweep.

INITiate:DISPlay OFF means that the display is switched off during the measurement,

INITiate:DISPlay ON means that the display is switched on during the measurement.

The numeric suffix of INITiate is irrelevant with this command.

Example:

"INIT:CONT OFF"	'Switches to single-sweep mode
"INIT:DISP OFF"	'Sets the display behavior to OFF
"INIT;*WAI"	'Starts the measurement with display switched off.

Characteristics: *RST value: ON
SCPI: device-specific

Mode: A, MS

INPut Subsystem

The INPut subsystem controls the input characteristics of the RF inputs of the instrument. The measurement windows are assigned to INPut1 (screen A) and INPut2 (screen B).

COMMAND	PARAMETERS	UNIT	COMMENT
INPut<1 2>			
:ATTenuation	<numeric_value>	DB	
:AUTO	<Boolean>	--	
:EATT	<numeric_value>	DB	Only with option B25
:AUTO	<Boolean>	--	Only with option B25
:STATe	<Boolean>	--	Only with option B25
:IMPedance	50 75	OHM	
:GAIN			
:STATe	<Boolean>		Only with option B25

INPut<1|2>:ATTenuation 0 to 70/75 dB

This command programs the input attenuator. To protect the input mixer against damage from overloads, the setting 0 dB can be obtained by entering numerals, not by using the command DEC.

The step width is 10 dB without the option electronic attenuator, the range 0 dB to 70 dB.

The input attenuation can be set in 5 dB steps between 0 dB and 75 dB with the option electronic attenuator.

In the default state with analyzer mode, the attenuation set on the step attenuator is coupled to the reference level of the instrument. If the attenuation is programmed directly, the coupling to the reference level is switched off.

Example: "INP:ATT 40dB" 'Sets the attenuation on the attenuator to 40 dB and
'switches off the coupling to the reference level.

Characteristics: *RST value: 10 dB (AUTO is set to ON)
SCPI: conforming

Mode: all

INPut<1|2>:ATTenuation:AUTO ON | OFF

This command automatically couples the input attenuation to the reference level (state ON) or switches the input attenuation to manual entry (state OFF). The minimum input attenuation set with the coupling switched on is 10 dB (with electronic attenuator option: 5 dB).

Example: "INP:ATT:AUTO ON" 'Couples the attenuation set on the attenuator to the
'reference level.

Characteristics: *RST value: ON
SCPI: conforming

Mode: all

INPut<1|2>:EATT 0 to 30dB

This command programs the attenuation of the electronic input attenuator. The attenuation can be varied in 5 dB steps from 0 to 30 dB. Other entries are rounded to the next lower integer value. If the attenuation is programmed directly, the coupling to the reference level is switched off.

If the defined reference level cannot be set with the given RF attenuation, this level is adapted to the maximum possible value.

The electronic attenuator is switched off in the default state.

Example: "INP:EATT:STAT ON" 'Switches the electronic attenuator into the signal path.
"INP:EATT 15dB" 'Sets the attenuation of the electronic attenuator to '15 dB and switches off the coupling to the reference level.

Characteristics: *RST value: 0 dB (state is set to OFF)
SCPI: device-specific

Mode: all

The command is only available with the electronic attenuator option B25.

INPut<1|2>:EATT:AUTO ON | OFF

This command automatically couples the electronic input attenuation to the reference level and the attenuation of the mechanical attenuator (state ON) or switches the input attenuation to manual entry (state OFF).

Example: "INP:EATT:STAT ON" 'Switches the electronic attenuator into the signal path.
"INP:EATT:AUTO ON" 'Couples the attenuation of the electronic attenuator to 'the reference level.

Characteristics: *RST value: ON
SCPI: device-specific

Mode: all

The command is only available with the electronic attenuator option B25.

INPut<1|2>:EATT:STATe ON | OFF

This command switches the electronic input attenuation into the signal path (state ON) or removes it from the signal path (state OFF).

Example: "INP:EATT:STAT ON" 'Switches the electronic attenuator into the signal path.

Characteristics: *RST value: OFF
SCPI: device-specific

Mode: all

The command is only available with the option electronic attenuator B25.

INPut<1|2>:IMPedance 50 | 75

This command sets the nominal input impedance of the instrument. The set impedance is taken into account in all level indications of results..

The setting 75 Ω should be selected, if the 50 Ω input impedance is transformed to a higher impedance using a 75 Ω adapter of the RAZ type (= 25 Ω in series to the input impedance of the instrument). The correction value in this case is 1.76 dB = 10 log (75 Ω / 50 Ω).

Example: "INP:IMP 75"

Characteristics: *RST value: 50 Ω
SCPI: conforming

Mode: all

INPut<1|2>:GAIN:STATe ON | OFF

This command switches on the preamplifier for the instrument. The switchable gain is fixed to 20 dB.

Example: "INP:GAIN ON" 'Switches on 20 dB preamplification

Characteristics: *RST value: OFF
SCPI: conforming

Modes: A, MS

The command is only available with the option electronic attenuator B25.

INSTRUMENT Subsystem

The INSTRUMENT subsystem selects the operating mode of the unit either via text parameters or fixed numbers.

COMMAND	PARAMETERS	UNIT	COMMENT
INSTRUMENT [:SElect] :NSElect :COUPle	SANalyzer ADEMod MGSM WCDPower BWCDpower MWCDpower <numeric_value> NONE RLEVel CF_B CF_A		no query

INSTRUMENT[:SElect] SANalyzer | ADEMod | MSGM | WCDPower | BWCDpower | MWCDpower

This command switches between the operating modes by means of text parameters.

Notes on GSM MS mode:

- After switchover to the GSM MS mode, a measurement has to be selected by means of a *CONFigure* command.
- After switchover to the GSM MS mode, the modulation mode (GMSK or EDGE) selected last is active.
- If the analyzer is set to external trigger when the GSM MS mode is activated (by *INST : SEL MGSM*), the 'Extern' GSM trigger is used; if it is set to RF power trigger, the 'RF Power' GSM trigger is used, otherwise the 'IF Power' GSM trigger (default).
- Upon switchover from GSM MS mode to analyzer mode, the GSM MS trigger setting is maintained, i.e. IF power if 'IF Power' was set before, RF power if 'RF Power' was set before, and external trigger if 'Extern' was set before.

Parameter:

SANalyzer:	Spectrum analysis
ADEMod	FM demodulator
MGSM:	GSM MS analyzer
WCDPower BWCDpower	Wideband Code Domain measurements, base station
MWCDpower	Wideband Code Domain measurements, mobile station

Example: "INST SAN" 'Switches the instrument to *SPECTRUM*.

Characteristics: *RST value: SANalyzer
SCPI: conforming

Note:

Setting *WCDPower* always switches the operating mode to Continuous Sweep (*INIT : CONT ON*).

Mode: all

Changeover to MGSM is only possible with GSM MS Analyzer FS-K5 option installed.

Changeover to *WCDPower* and *BWCDpower* is only possible with WCDMA FDD BTS (FS-K72) option installed.

Changeover to *MWCDpower* is only possible with WCDMA FDD BTS (FS-K73) option installed.

Changeover to *ADEMod* is only possible with FM Demodulator FS-K7 option installed.

INSTRument:NSElect <numeric value>

This command switches between the operating modes by means of numbers.

Parameter:	1:	Spectrum analysis
	3:	FM demodulator
	5:	GSM MS analyzer
	8:	3G FDD FWD
	9:	3G FDD REV

Example: "INST:NSEL 1" 'Switches the instrument to *SPECTRUM*.

Characteristics: *RST value: 1
SCPI: conforming

Mode: all

Changeover to 3 is only possible with FM Demodulator FS-K7 option installed.

Changeover to 5 is only possible with GSM MS Analyzer FS-K5 option installed.

Changeover to 8 is only possible with 3G FDD FWD option installed.

Changeover to 9 is only possible with 3G FDD REV option installed.

INSTRument:COUPlE NONE | RLEVel | CF_B | CF_A

In operating mode *SPECTRUM* this command selects the parameter coupling between the two measurement windows screen A and B.

Parameter:	NONE	No coupling. The two measurement windows are operated like two independent "virtual" devices.
	RLEVel	The reference levels of the two measurement windows are coupled.
	CF_B	The center frequency of screen B is coupled to the frequency of marker 1 in screen A.
	CF_A	The center frequency of screen A is coupled to the frequency of marker 1 in screen B.

Example: "INST:COUP NONE" 'Switches off the coupling of measurement windows. 'This leads to two independent "virtual" devices.

Characteristics: *RST value: NONE
SCPI: device specific

Mode: A

MMEMory Subsystem

The MMEMory (mass memory) subsystem provides commands which allow for access to the storage media of the instrument and for storing and loading various instrument settings.

The various drives can be addressed via the "mass storage unit specifier" <msus> using the conventional DOS syntax. The internal hard disk is addressed by "D:", the floppy disk drive by "A:".

Note: *For reasons of compatibility with the FSE instruments, addressing the hard disk by "C:" is also accepted. Since hard disk "C:" is reserved for instrument software, all read and write operations are rerouted to hard disk "D:" in normal operation (service level 0).*

The file names <file_name> are indicated as string parameters with the commands being enclosed in quotation marks. They also comply with DOS conventions.

DOS file names consist of max. 8 ASCII characters and an extension of up to three characters separated from the file name by a dot "." Both, the dot and the extension are optional. The dot is not part of the file name. DOS file names do not distinguish between uppercase and lowercase notation. All letters and digits are permitted as well as the special characters "_", "^", "\$", "~", "!", "#", "%", "&", "-", "{", "}", "(", ")", "@", and "'". Reserved file names are CLOCK\$, CON, AUX, COM1 to COM4, LPT1 to LPT3, NUL and PRN.

The two characters "*" and "?" have the function of so-called "wildcards", i.e., they are variables for selection of several files. The question mark "?" replaces exactly one character, the asterisk means any of the remaining characters in the file name. "*. *" thus means all files in a directory.

COMMAND	PARAMETERS	UNIT	COMMENT
MMEMory			
:CATalog?	<string>		
:CDIRectory	<directory_name>	--	
:COPY	<file_name>,<file_name>	--	no query
:DATA	<file_name>[,<block>]	--	
:DELete	<file_name>	--	no query
:INITialize	<msus>	--	no query
:LOAD			
:STATe	1,<file_name>	--	no query
:AUTO	1,<file_name>	--	no query
:MDIRectory	<directory_name>	--	no query
:MOVE	<file_name>,<file_name>	--	no query
:MSIS	<msus>	--	
:NAME	<file_name>	--	
:RDIRectory	<directory_name>	--	no query
:STORe<1 2>			
:STATe	1,<file_name>	--	no query
:TRACe	<numeric_value>,<file_name>		
:CLEar			
:STATe	1,<file_name>	--	no query
:ALL			no query
:SElect			
[:ITEM]			
:HWSettings	<Boolean>		
:TRACe			
[:ACTive]	<Boolean>		
:LINes			
:ALL	<Boolean>		
:SCData	<Boolean>		Tracking generator option
:ALL	--		no query
:NONE	--		no query
:DEFault	--		no query
:COMMeNt	<string>		

MMEMory:CATalog? <path>

This command reads the indicated directory. According to DOS convention, wild card characters can be entered in order to query e.g. a list of all files of a certain type.

The path name should be in conformance with DOS conventions and may also include the drive name.

Parameter: <path>::= DOS Path name

Example: "MMEM:CAT? 'D:\USER\DATA' 'Returns the contents of the
'D:\USER\DATA directory
"MMEM:CAT? 'D:\USER\DATA*.LOG' 'Returns all files in D:\USER\DATA
'with extension ".LOG"
"MMEM:CAT? 'D:\USER\DATA\SPOOL?.WMF' 'Returns all files in D:\USER\DATA whose
'names start with SPOOL, have 6 letters
'and the extension ".WMF".

Response value: List of file names in the form of strings separated by commas, i.e.
'SPOOL1.WMF', 'SPOOL2.WMF', 'SPOOL3.WMF'

Characteristics: *RST value: -
SCPI: conformal

Operating mode: all

MMEMory:CDIRectory <directory_name>

This command changes the current directory.

In addition to the path name, the indication of the directory may contain the drive name. The path name complies with the DOS conventions.

Parameter: <directory_name>::= DOS path name

Example: "MMEM:CDIR 'D:\USER\DATA' " 'Returns the list of files in directory
'D:\USER\DATA.

Characteristics: *RST value: -
SCPI: conforming

Mode: all

MMEMory:COPY <file_source>,<file_destination>

This command copies the files indicated in <file_source> to the destination directory indicated with <file_destination> or to the destination file indicated by <file_destination> when <file_source> is just a file.

The indication of the file name may include the path and the drive name. The file names and path information must be in accordance with the DOS conventions.

Parameter: <file_source>,<file_destination> ::= <file_name>
<file_name> ::= DOS file name

Example: "MMEM:COPY 'D:\USER\DATA\SETUP.CFG', 'A:' "

Characteristics: *RST value: -
SCPI conforming

Mode: all

This command is an event and therefore has no *RST value and no query.

MMEMory:DATA <file_name>[,<block data>]

This command writes the block data contained in <block> into the file characterized by <file_name>. The IEC/IEEE-bus delimiter must be set to EOI to obtain error-free data transfer.

The associated query command reads the indicated file from the mass memory and transfers it to the control computer via the IEC/IEEE bus. It should be noted that the buffer memory of the control computer should be large enough to store the file. The setting of the IEC/IEEE-bus delimiter is irrelevant in this case.

The command is useful for reading stored device settings or trace data from the instrument or for transferring them to the instrument.

Syntax: MMEMory:DATA <file_name>,<block data> Data transfer from control computer to instrument.

MMEMory:DATA? <file_name> Data transfer from instrument to control computer.

<file_name> selects the file to be transferred.

The binary data block <block> has the following structure:

- it always begins with the character '#',
- followed by a digit for the length of the length information,
- followed by the indicated number of digits as length information (number of bytes) for the binary data themselves,
- finally the binary data with the indicated number of bytes

Example: "MMEM:DATA 'TEST01.HCP', #217This is the file"
 ' means:
 '#2: the next 2 characters
 ' are the length indication
 '17: number of subsequent binary data
 ' bytes
 'This is the file:
 ' 17 bytes stored as binary data in the
 ' file TEST01.HCP.

"MMEM:DATA? 'TEST01.HCP' " ' Transfers the file TEST01.HCP from the
 'instrument to the control computer.

Characteristics: *RST value: -
 SCPI: conforming

Mode: all

MMEMory:DELeTe <file_name>

This command deletes the indicated files.

The indication of the file name contains the path and, optionally, the drive name. Indication of the path complies with DOS conventions.

Parameter: <file_name> ::= DOS file name

Example: "MMEM:DEL 'TEST01.HCP' " ' The file TEST01.HCP is deleted.

Characteristics: *RST value: -
SCPI: conforming

Mode: all

This command is an event and therefore has no *RST value and no query.

MMEMory:INITialize 'A:'

This command formats the disk in drive A. Formatting deletes all data stored on the floppy disk.

Parameter: <msus> ::= 'A:'
Only drive name A: is accepted.

Example: "MMEM:INIT 'A:' "

Characteristics: *RST value: -
SCPI: conforming

Mode: all

This command is an event and therefore has no *RST value and no query.

MMEMory:LOAD:STATe 1,<file_name>

This command loads device settings from files. The contents of the file are loaded and set as the new device state. The device automatically recognizes the files that are required for the whole setup from the list of file extensions:

Contents	Extension
Current setting of measurement hardware and associated title, if indicated	.SET
Activated limit lines	.LIN
Current configuration of general device parameters	.CFG
Configuration for the hardcopy output	.HCS
User-defined color setting	.COL
All defined limit lines	.LIA
Measured data trace 1 to trace 3 screen A	.TR1 to 3
Measured data trace 1 to trace 3 screen B	.TR4 to 6
Tracking generator settings (only with Tracking Generator Option B9 or Ext. Generator Control B10)	.TCi
Setting for source calibration (only with Tracking Generator Option B9 or Ext. Generator Control B10)	.TS1 .TS2
Correction data for source calibration (only with Tracking Generator Option B9 or Ext. Generator Control B10)	.TC1 .TC2
Activated transducer factors	.TF

The file name includes indication of the path and may also include the drive name. The path name complies with DOS conventions.

Parameter: <file_name> ::= DOS file name without extension, extensions see table

Example: "MMEM:LOAD:STAT 1, 'A:TEST' "

Characteristics: *RST value: -
SCPI: conforming

Mode: all

This command is an event and therefore has no *RST value and no query.

MMEMory:LOAD:AUTO 1,<file_name>

This command defines which device setting is automatically loaded after the device is switched on. The contents of the file are read after switching on the device and used to define the new device state. The file name includes indication of the path and may also include the drive. The path name complies with DOS conventions.

Note: *The data set defined as auto recall set will also be restored by a *RST-command.*

Parameter: <file_name> ::= DOS file name without extension;
FACTORY denotes the data set previously in the instrument

Example: "MMEM:LOAD:AUTO 1, 'D:\USER\DATA\TEST' "

Characteristics: *RST value: FACTORY
SCPI: device-specific

Mode: all

This command is an event and therefore has no *RST value and no query.

MMEMory:MDIRectory <directory_name>

This command creates a new directory. The file name includes indication of the path and may also include the drive name. The path name complies with DOS conventions.

Parameter: <directory_name> ::= DOS path name

Example: "MMEM:MDIR 'D:\USER\DATA' "

Characteristics: *RST value: -
SCPI: device-specific

Mode: all

This command is an event and therefore has no *RST value and no query.

MMEMory:MOVE <file_source>,<file_destination>

This command renames existing files, if <file_destination> contains no path indication. Otherwise the file is moved to the indicated path and stored under the file name specified there, if any.

The file name includes indication of the path and may also include the drive. The path name complies with DOS conventions.

Parameter: <file_source>,<file_destination> ::= <file_name>
 <file_name> ::= DOS file name

Example:

```
"MMEM:MOVE 'D:\TEST01.CFG' , 'SETUP.CFG' "
                                     ' Renames TEST01.CFG in SETUP.CFG
                                     ' in directory D:\.
```

```
"MMEM:MOVE 'D:\TEST01.CFG' , 'D:\USER\DATA' "
                                     ' Moves TEST01.CFG from D:\ to
                                     ' D:\USER\DATA.
```

```
"MMEM:MOVE 'D:\TEST01.CFG' , 'D:\USER\DATA\SETUP.CFG' "
                                     ' Moves TEST01.CFG from D:\ to
                                     ' D:\USER\DATA and renames the file in
                                     ' SETUP.CFG.
```

Characteristics: *RST value: -
 SCPI: conforming

Mode: all

This command is an event and therefore has no *RST value and no query.

MMEMory:MSIS <device>

This command changes to the drive indicated. The drive may be the internal hard disk D: or the floppy disk drive A:.

Example: "MMEM:MSIS 'A:' "

Characteristics: *RST value: "D:"
 SCPI: conforming

Mode: all

MMEMory:NAME <file_name>

This command defines a destination file for the printout started with the command HCOPY:IMMEDIATE. In this case the printer output must be routed to destination FILE using the command "HCOP:DEST 'MMEM' ".

The file name includes indication of the path and may also include the drive name. The file name and path information comply with DOS conventions.

Parameter: <file_name> ::= DOS file name

Example:

```
"HCOP:DEV:LANG BMP"           Selection of data format.
"HCOP:DEST 'MMEM' "           Selection of the output device
"MMEM:NAME 'PRINT1.BMP' "     Selection of file name.
"HCOP:IMM"                     Start of the printout.
```

Characteristics: *RST value: -
 SCPI: conforming

Mode: all

This command is an event and therefore has no *RST value and no query.

MMEMory:RDIRectory <directory_name>

This command deletes the indicated directory. The directory name includes indication of the path and may also include the drive name. The path name complies with DOS conventions.

Parameter: <directory_name>:= DOS path name

Example: "MMEM:RDIR 'D:\TEST' "

Characteristics: *RST value: -
SCPI: device-specific

Mode: all

This command is an event and therefore has no *RST value and no query.

MMEMory:STORE<1|2>:STATe 1,<file_name>

This command stores the current device settings in a series of files which have the indicated file name, but different extensions. The file name includes indication of the path and may also include the drive name. The path name complies with DOS conventions. The numeric suffix in STORE<1|2> is irrelevant with this command.

A list of the extensions used is contained under MMEMory:LOAD:STATe.

Parameter: <file_name> := DOS file name without extension

Example: "MMEM:STOR:STAT 1, 'TEST' "

Characteristics: *RST value: -
SCPI: conforming

Mode: all

This command is an event and therefore has no *RST value and no query.

MMEMory:STORE<1|2>:TRACe 1 to 3,<file_name>

This command stores the selected trace (1 to 3) in the measurement window indicated by STORE<1|2> (screen A or B) in a file with ASCII format. The file format is described in chapter 4 in the TRACE menu under the *ASCII-FILE EXPORT* softkey.

The decimal separator (decimal point or comma) for floating-point numerals contained in the file is defined with the command FORMat:DEXPort:DSEParator.

The file name includes indication of the path and the drive name. Indication of the path complies with DOS conventions.

Parameter: 1 to 3 := selected measurement curve Trace 1 to 3
<file_name> := DOS file name

Example: "MMEM:STOR2:TRAC 3, 'A:\TEST.ASC' "
' Stores trace 3 from screen B in the file
'TEST.ASC on a disk.

Characteristics: *RST value: -
SCPI: device-specific

Mode: all

This command is an event and therefore has no *RST value and no query.

MMEMory:CLEar:STATe 1,<file_name>

This command deletes the instrument setting selected by <file_name>. All associated files on the mass memory storage are cleared. A list of the extensions used is included under `MMEMory:LOAD:STATe`.

The file name includes indication of the path and may also include the drive. The path name complies with DOS conventions.

Parameter: <file_name> ::= DOS file name without extension

Example: "MMEM:CLE:STAT 1, 'TEST' "

Characteristics: *RST value: -
SCPI: device-specific

Mode: all

This command is an event and therefore has no *RST value and no query.

MMEMory:CLEar:ALL

This command deletes all device settings in the current directory. The current directory can be selected with `MMEM:CDIR`. The default directory is D:.

Example: "MMEM:CLE:ALL "

Characteristics: *RST value: -
SCPI: device-specific

Mode: all

This command is an event and therefore has no *RST value and no query.

MMEMory:SElect[:ITEM]:HWSettings ON | OFF

This command includes the hardware settings in the list of data subsets of a device setting to be stored/loaded. The hardware settings include:

- current configuration of general device parameters (general setup)
- current setting of the measurement hardware including markers
- activated limit lines:
A data set may include 8 limit lines at maximum in each measurement window. This number includes the activated limit lines and, if available, the de-activated limit lines last used. Therefore the combination of the non-activated restored limit lines depends on the sequence of use with the command `MMEM:LOAD`.
- user-defined color setting
- configuration for the hardcopy output
- Tracking generator settings
(only in conjunction with option Tracking Generator B9 or External Generator Control B10)
- Correction data for source calibration
(only in conjunction with option Tracking Generator B9 or External Generator Control B10)

Example: "MMEM:SEL:HWS ON"

Characteristics: *RST value: ON
SCPI: device-specific

Mode: all

MMEMory:SElect[:ITEM]:TRACe[:ACTive] ON | OFF

This command adds the active traces to the list of data subsets of a save/recall device setting. Active traces are all traces whose state is not blank.

Example: "MMEM:SEL:TRAC ON"

Characteristics: *RST value: OFF, i.e. no traces will be stored
SCPI: device-specific

Mode: all

MMEMory:SElect[:ITEM]:LINes:ALL ON | OFF

This command adds all limit lines (activated and de-activated) to the list of device settings to be stored/loaded.

Example: "MMEM:SEL:LIN:ALL ON"

Characteristics: *RST value: ON
SCPI: device-specific

Mode: all

MMEMory:SElect[:ITEM]:SCData ON | OFF

This command adds the tracking generator calibration data to the list of device settings to be stored/loaded.

Example: "MMEM:SEL:SCD ON" 'Inserts the tracking generator correction data
'in the list of data subsets

Characteristics: *RST value: OFF
SCPI: device-specific

Modes: all

This command is only available in conjunction with the tracking generator option B9 or external generator control option B10.

MMEMory:SElect[:ITEM]:TRANsducer[:ACTive] ON | OFF

This command includes the active transducer factors and set in the list of data subsets of a device setting to be stored/loaded.

Example: "MMEM:SEL:TRAN ON"

Characteristics: *RST value: ON
SCPI: device-specific

Modes: all

This command is available from firmware version 1.40 or higher.

MMEMory:SElect[:ITEM]:TRANsducer:ALL ON | OFF

This command includes all transducer factors and sets in the list of data subsets of a device setting to be stored/loaded.

Example: "MMEM:SEL:TRAN:ALL ON"

Characteristics: *RST value: ON
SCPI: device-specific

Modes: all

This command is available from firmware version 1.40 or higher.

MMEMory:SElect[:ITEM]:ALL

This command includes all data subsets in the list device settings to be stored/loaded.

Example: "MMEM:SEL:ALL"

Characteristics: *RST value: --
SCPI: device-specific

Mode: all

This command is an event and therefore has no *RST value.

MMEMory:SElect[:ITEM]:NONE

This command deletes all data subsets from the list of device settings to be stored/loaded.

Example: "MMEM:SEL:NONE"

Characteristics: *RST value: --
SCPI: device-specific

Mode: all

This command is an event and therefore has no *RST value.

MMEMory:SElect[:ITEM]:DEFault

This command sets the default list of device settings to be stored/loaded. The latter includes:

- current configuration of general device parameters (general setup)
- current setting of the measurement hardware including markers
- activated limit lines
- user-defined color setting
- configuration for the hardcopy output
- Tracking generator settings
(only in conjunction with option Tracking Generator B9 or External Generator Control B10)
- Correction data for source calibration
(only in conjunction with option Tracking Generator B9 or External Generator Control B10)

Trace data and non-used limit lines are not included.

Example: "MMEM:SEL:DEFault"

Characteristics: *RST value: --
SCPI: device-specific

Mode: all

This command is an event and therefore has no *RST value.

MMEMemory:COMment <string>

This command defines a comment (max. 60 characters) for a device setting to be stored.

Example: "MMEMemory:COMM 'Setup for GSM measurement' "

Characteristics: *RST value: blank comment
SCPI: device-specific

Mode: all

OUTPut Subsystem

The OUTPut subsystem controls the output features of the instrument. In conjunction with the tracking generator option, a distinction is made between OUTPut1 (screen A) and OUTPut2 (screen B).

COMMAND	PARAMETERS	UNIT	COMMENT
OUTPut<1 2>[:STATe]	<Boolean>	--	Tracking generator option

OUTPut<1|2>[:STATe] ON | OFF

This command switches the tracking generator on or off.

Notes: - *With the tracking generator switched on, the maximum stop frequency is limited to 3 GHz. This upper limit is automatically modified by the set frequency offset of the generator.*

- *If measurements in compliance with specs are to be performed with the tracking generator, the start frequency has to be $\geq 3 \times$ resolution bandwidth.*

- *The minimum sweep time for measurements in compliance with the data sheet is 100 ms in the frequency domain (span >0). If a shorter sweep time is selected, the sweep time indicator SWT on the screen is marked with a red asterisk and the message UNCAL is also displayed.*

- *With the tracking generator switched on, the FFT filters (BAND:MODE:FFT) are not available.*

Example: "OUTP ON" 'Switches on the tracking generator in screen A.

Characteristics: *RST value: -
SCPI: conforming

Modes: A

This command is only valid in conjunction with option tracking generator.

READ - Subsystem

The READ subsystem contains commands for starting complex measurement tasks such as those provided in the GSM MS mode (FS-K5), and for querying the results subsequently. The READ subsystem is closely linked to the functions of the CONFIGure and FETCH subsystems, where the measurement sequences are configured or the results are queried without restarting a new measurement.

READ:AUTO - Subsystem

This subsystem contains commands for starting automatic measurement routines for the GSM MS mode (FS-K5). The analyzer will automatically being adjusted to the input signal.

COMMAND	PARAMETERS	UNIT	COMMENT
READ			Option FS-K5
:AUTO			
:LEVTime?	--		query only

READ:AUTO:LEVTime?

This command starts a measurement sequence which automatically adjusts the level and trigger timing of the input signal to the analyzer.

Preconditions are a correct setting of center frequency and a correct choice of the to be used GSM trigger source to be utilized. (Refer to command TRIG:SEQ:SYNC:ADJ, for the time between trigger and begin of slot 0s should be used)

The result is read out as a list of partial ASCII result strings separated by ',' in the following format:
<status>,<signal power>,<time from trigger to begin of slot>,<trigger level>,<reserved>

<status>:	status:	PASSED FAILED	measurement successful, result figures are valid measurement failed, result figures are invalid error (e.g. no carrier) can be read out of the status reporting system
<signal power>	signal power	dBm	(reference level is automatically set 3 dB above the signal power)
<time trigger to virtual begin of slot>	s		correction value for the time offset between the currently active GSM trigger and beginning of the slot.
<trigger level>		dBm/V	trigger level of the currently active GSM trigger, for IF/RF the units are dBm, for external trigger the unit is Volts
<reserved>			always 0, for future use

After the automatic sequence a GSM measurement must be selected again with the command CONFIGure.

The premeasurement for power vs. time is executed implicitly within the sequence.

For modulation spectrum measurement the premeasurement must be executed again.

This command is only available in GSM MS mode (FS-K5).

Example:	"INST MGSM"	'Switches the instrument to GSM MS mode
	"CONF:MTYP GMSK"	'Selects modulation type GMSK
	"FREQ:CENT 890.2E6"	'Sets the center frequency
	"TRIG:SYNC:ADJ:EXT 0s"	'Selects GSM external trigger

"READ:AUTO:LEVTime?" 'Executes the measurement and queries the
'result

Result: PASSED,8.3,6.15E-005,1.4,0

Characteristics: *RST value: --
SCPI: device-specific

Mode: MS

This command is an event and therefore has no query and no *RST value .

READ:BURSt - Subsystem

This subsystem provides the commands for starting measurements in the GSM MS Analyzer mode (option FS-K5), which are performed on individual bursts and for reading out the results subsequently:

- Phase-Frequency Error (PFE)
- Modulation Accuracy (MAC)
- Power vs. Time (PVT)

COMMAND	PARAMETERS	UNIT	COMMENT
READ			Option FS-K5
:BURSt			
:PERRor			
:RMS			
:AVERage?	--	deg	query only
:MAXimum?	--	deg	query only
:PEAK			
:AVERage?	--	deg	query only
:MAXimum?	--	deg	query only
:FERRor			
:AVERage?	--	Hz	query only
:MAXimum?	--	Hz	query only
:IQOFFset			
:AVERage?	--	%	query only
:MAXimum?	--	%	query only
:IQIMbalance			
:AVERage?	--	%	query only
:MAXimum?	--	%	query only
:PTEMplate			
:REFerence			
[:IMMediate?]	--	--	query only
:REFerence			
[:IMMediate?]	--	--	query only
:MACCuracy			
:RMS			
:AVERage?	--	%	query only
:MAXimum?	--	%	query only
:PEAK			
:AVERage?	--	%	query only
:MAXimum?	--	%	query only
:OSUPpress			
:AVERage?	--	dB	query only
:MAXimum?	--	dB	query only
:PERCentile			
:AVERage?	--	%	query only
:MAXimum?	--	%	query only
:FREQUency			
:AVERage?	--	Hz	query only
:MAXimum?	--	Hz	query only
:IQOFFset			
:AVERage?	--	%	query only
:MAXimum?	--	%	query only
:IQIMbalance			
:AVERage?	--	%	query only
:MAXimum?	--	%	query only

READ:BURSt:PERRor:RMS:AVERage?

This command starts the measurement of the phase and frequency error (PFE) of the mobile and reads out the average of the RMS measurement of the phase error taken over the selected number of bursts.

When the measurement is started the analyzer is automatically set to single sweep.

Further results of the PFE measurement can then be queried without restart of the measurement via the :FETCh:BURSt subsystem.

An ongoing measurement can be aborted via the command ABORt .

This command is only available in GSM MS mode (FS-K5) and when measurement of the phase/frequency error is selected (see :CONFIgure:BURSt:PFERror).

Example:	"INST MGSM"	'Switches the instrument to GSM MS mode
	"CONF:MTYP GMSK"	'Selects modulation type GMSK
	"CONF:BURS:PFER"	'Selects the PFE measurement
	"SWE:COUN 20"	'Sets the number of bursts
	"READ:BURS:PERR:RMS:AVER?"	'Executes the measurement and queries the result

Characteristics: *RST value: --
 SCPI: device-specific

Mode: MS

This command is an event and therefore has no query and no *RST value .

READ:BURSt:PERRor:RMS:MAXimum?

This command starts the measurement of the phase and frequency error (PFE) of the mobile and reads out the maximum of the RMS measurement of the phase error taken over the selected number of bursts.

When the measurement is started the analyzer is automatically set to single sweep.

Further results of the PFE measurement can then be queried without restart of the measurement via the :FETCh:BURSt subsystem.

An ongoing measurement can be aborted via the command ABORt .

This command is only available in GSM MS mode (FS-K5) and when measurement of the phase/frequency error is selected (see :CONFIgure:BURSt:PFERror).

Example:	"INST MGSM"	'Switches the instrument to GSM MS mode
	"CONF:MTYP GMSK"	'Selects modulation type GMSK
	"CONF:BURS:PFER"	'Selects the PFE measurement
	"SWE:COUN 20"	'Sets the number of bursts
	"READ:BURS:PERR:RMS:MAX?"	'Executes the measurement and queries the result

Characteristics: *RST value: --
 SCPI: device-specific

Mode: MS

This command is an event and therefore has no query and no *RST value .

READ:BURSt:PERRor:PEAK:AVERAge?

This command starts the measurement of the phase and frequency error (PFE) of the mobile and reads out the average of the PEAK measurement of the phase error taken over the selected number of bursts.

When the measurement is started the analyzer is automatically set to single sweep.

Further results of the PFE measurement can then be queried without restart of the measurement via the :FETCh:BURSt subsystem.

An ongoing measurement can be aborted via the command ABORt .

This command is only available in GSM MS mode (FS-K5) and when measurement of the phase/frequency error is selected (see :CONFIgure:BURSt:PFERror) .

Example:	"INST MGSM"	'Switches the instrument to GSM MS mode
	"CONF:MTYP GMSK"	'Selects modulation type GMSK
	"CONF:BURS:PFER"	'Selects the PFE measurement
	"SWE:COUN 20"	'Sets the number of bursts
	"READ:BURS:PERR:PEAK:AVER?"	'Executes the measurement and queries the result

Characteristics: *RST value: --
SCPI: device-specific

Mode: MS

This command is an event and therefore has no query and no *RST value .

READ:BURSt:PERRor:PEAK:MAXimum?

This command starts the measurement of the phase and frequency error (PFE) of the mobile and reads out the maximum of the PEAK-measurement of the phase error taken over the selected number of bursts.

When the measurement is started the analyzer automatically is set to single sweep.

Further results of the PFE measurement can be then queried without restart of the measurement via the :FETCh:BURSt subsystem.

An ongoing measurement can be aborted via the command ABORt .

This command is only available in GSM MS mode (FS-K5) and when measurement of the phase/frequency error is selected (see :CONFIgure:BURSt:PFERror

Example:	"INST MGSM"	'Switches the instrument to GSM MS mode
	"CONF:MTYP GMSK"	'Selects modulation type GMSK
	"CONF:BURS:PFER"	'Selects the PFE measurement
	"SWE:COUN 20"	'Sets the number of bursts
	"READ:BURS:PERR:PEAK:MAX?"	'Executes the measurement and queries the result

Characteristics: *RST value: --
SCPI: device-specific

Mode: MS

This command is an event and therefore has no query and no *RST value .

READ:BURSt:FERRor:AVERage?

This command starts the measurement of the phase and frequency error (PFE) of the mobile and reads out the average of the measurement of the frequency error taken over the selected number of bursts.

When the measurement is started the analyzer is automatically set to single sweep.

Further results of the PFE measurement can then be queried without restart of the measurement via the :FETCh:BURSt subsystem.

An ongoing measurement can be aborted via the command ABORt .

This command is only available in GSM MS mode (FS-K5) and when measurement of the phase/frequency error is selected (see :CONFIgure:BURSt:PFERror) .

Example:	"INST MGSM"	'Switches the instrument to GSM MS mode
	"CONF:MTYP GMSK"	'Selects modulation type GMSK
	"CONF:BURS:PFER"	'Selects the PFE measurement
	"SWE:COUN 20"	'Sets the number of bursts
	"READ:BURS:FERR:AVER?"	'Executes the measurement and queries the result

Characteristics: *RST value: --
 SCPI: device-specific

Mode: MS

This command is an event and therefore has no query and no *RST value .

READ:BURSt:FERRor:MAXimum?

This command starts the measurement of the phase and frequency error (PFE) of the mobile and reads out the average of the measurement of the frequency error taken over the selected number of bursts.

When the measurement is started the analyzer is automatically set to single sweep.

Further results of the PFE measurement can then be queried without restart of the measurement via the :FETCh:BURSt subsystem.

An ongoing measurement can be aborted via the command ABORt .

This command is only available in GSM MS mode (FS-K5) and when measurement of the phase/frequency error is selected (see :CONFIgure:BURSt:PFERror) .

Example:	"INST MGSM"	'Switches the instrument to GSM MS mode
	"CONF:MTYP GMSK"	'Selects modulation type GMSK
	"CONF:BURS:PFER"	'Selects the PFE measurement
	"SWE:COUN 20"	'Sets the number of bursts
	"READ:BURS:FERR:MAX?"	'Executes the measurement and queries the result

Characteristics: *RST value: --
 SCPI: device-specific

Mode: MS

This command is an event and therefore has no query and no *RST value .

READ:BURSt:IQOFFset:AVERage?

This command triggers the measurement of the phase/frequency error (PFE) of the mobile and reads out the average of the IQ DC offset measurement in % for the selected number of bursts. The start of the measurement automatically activates the single sweep mode. Further results of the PFE measurement can then be queried via the `FETCh:BURSt` subsystem without restarting the measurement.

An ongoing measurement can be aborted by means of the `ABORt` command.

This command is only available in GSM MS mode (FS-K5) if phase/frequency error (PFE) measurement has been selected (s. `CONFIgure:BURSt:PFERror`).

Example:	"INST MGSM"	'Switches the instrument to GSM MS mode
	"CONF:MTYP GMSK"	'Selects GMSK modulation
	"CONF:BURS:PFER"	'Selects phase/frequency error (PFE) measurement
	"SWE:COUN 20"	'Sets the number of bursts
	"READ:BURS:IQOF:AVER?"	Executes the measurement and queries the result

Characteristics: *RST value: --
SCPI: device-specific

Mode: MS

If no measurement has been carried out yet, a query error is indicated.
This command is a query and therefore has no *RST value.

READ:BURSt:IQOFFset:MAXimum?

This command triggers the measurement of the phase/frequency error (PFE) of the mobile and reads out the maximum of the IQ DC offset measurement in % for the selected number of bursts. The start of the measurement automatically activates the single sweep mode. Further results of the PFE measurement can then be queried via the `FETCh:BURSt` subsystem without restarting the measurement.

An ongoing measurement can be aborted by means of the `ABORt` command.

This command is only available in GSM MS mode (FS-K5) if phase/frequency error (PFE) measurement has been selected (s. `CONFIgure:BURSt:PFERror`).

Example:	"INST MGSM"	'Switches the instrument to GSM MS mode
	"CONF:MTYP GMSK"	'Selects GMSK modulation
	"CONF:BURS:PFER"	'Selects phase/frequency error (PFE) measurement
	"SWE:COUN 20"	'Sets the number of bursts
	"READ:BURS:IQOF:MAX?"	Executes the measurement and queries the result

Characteristics: *RST value: --
SCPI: device-specific

Mode: MS

If no measurement has been carried out yet, a query error is indicated.
This command is a query and therefore has no *RST value.

READ:BURSt:IQIMbalance:AVERAge?

This command triggers the measurement of the phase/frequency error (PFE) of the mobile and reads out the average of the IQ imbalance measurement in % for the selected number of bursts. The start of the measurement automatically activates the single sweep mode. Further results of the PFE measurement can then be queried via the `FETCh:BURSt` subsystem without restarting the measurement.

An ongoing measurement can be aborted by means of the `ABORt` command.

This command is only available in GSM MS mode (FS-K5) if phase/frequency error (PFE) measurement has been selected (s. `CONFIgure:BURSt:PFERror`).

Example:

<code>"INST MGSM"</code>	'Switches the instrument to GSM MS mode
<code>"CONF:MTYP GMSK"</code>	'Selects GMSK modulation
<code>"CONF:BURS:PFER"</code>	'Selects phase/frequency error (PFE) measurement
<code>"SWE:COUN 20"</code>	'Sets the number of bursts
<code>"READ:BURS:IQIM:AVER?"</code>	Executes the measurement and queries the result

Characteristics: *RST value: --
 SCPI: device-specific

Mode: MS

If no measurement has been carried out yet, a query error is indicated. This command is a query and therefore has no *RST value.

READ:BURSt:IQIMbalance:MAXimum?

This command triggers the measurement of the phase/frequency error (PFE) of the mobile and reads out the maximum of the IQ imbalance measurement in % for the selected number of bursts. The start of the measurement automatically activates the single sweep mode. Further results of the PFE measurement can then be queried via the `FETCh:BURSt` subsystem without restarting the measurement.

An ongoing measurement can be aborted by means of the `ABORt` command.

This command is only available in GSM MS mode (FS-K5) if phase/frequency error (PFE) measurement has been selected (s. `CONFIgure:BURSt:PFERror`).

Example:

<code>"INST MGSM"</code>	'Switches the instrument to GSM MS mode
<code>"CONF:MTYP GMSK"</code>	'Selects GMSK modulation
<code>"CONF:BURS:PFER"</code>	'Selects phase/frequency error (PFE) measurement
<code>"SWE:COUN 20"</code>	'Sets the number of bursts
<code>"READ:BURS:IQIM:MAX?"</code>	Executes the measurement and queries the result

Characteristics: *RST value: --
 SCPI: device-specific

Mode: MS

If no measurement has been carried out yet, a query error is indicated. This command is a query and therefore has no *RST value.

READ:BURSt:PTEMplate:REFerence[:IMMediate]?

This command starts the premeasurement of power vs. time and reads out the results.

The result is output as a list of partial result strings separated by ',' in the following (ASCII) format:

<Level1>,<Level2>,<RBW>

<Level1>: measured level

<Level2>: level corrected by means of the bandwidth

<RBW>: bandwidth

This command is only available in GSM MS mode (FS-K5) and when measurement of the power vs. time is selected (see :CONFIgure:BURSt:PTEMplate).

Example:

"INST MGSM"	'Switches the instrument to GSM MS mode
"CONF:MTYP GMSK"	'Selects modulation type GMSK
"CONF:BURS:PTEM"	'Selects the PVT measurement
"READ:BURS:PTEM:REF?"	'Executes the measurement and queries the result
Result: 43.2,43.2,600000	

Characteristics: *RST value: --
SCPI: device-specific

Mode: MS

This command is an event and therefore has no query and no *RST value .

READ:BURSt:REFerence[:IMMediate]?

This command starts the premeasurement of power vs. time and returns the measured level in dBm.

This command is only available in GSM MS mode (FS-K5) and when measurement of the power vs. time is selected (see :CONFIgure:BURSt:PTEMplate).

Note: *This command has been included only for reasons of compatibility with FSE-K10. Instead of this command, the command READ:BURSt:PTEMplate:REFerence[:IMMediate]? should be used, whose output format conforms to that of the premeasurement query commands. For a detailed description see command READ:BURSt:PTEMplate:REFerence[:IMMediate]?.*

Example:

"INST MGSM"	'Switches the instrument to GSM MS mode
"CONF:MTYP GMSK"	'Selects the modulation type GMSK
"CONF:BURS:PTEM"	'Selects the PVT measurement
"READ:BURS:REF?"	'Executes the premeasurement and queries the result

Characteristics: *RST value: --
SCPI: device-specific

Mode: MS

This command is an event and therefore has no query and no *RST value .

READ:BURSt:MACCuracy:RMS:AVERAge?

This command starts the measurement of the modulation accuracy of the mobile and reads out the average of the RMS-measurement of the error vector magnitude taken over the selected number of bursts.

When the measurement is started the analyzer is automatically set to single sweep.

Further results of the modulation accuracy measurement can be then queried without restart of the measurement via the :FETCh:BURSt-subsystem.

An ongoing measurement can be aborted via the command ABORt .

This command is only available with GSM MS Analyzer (option FS-K5) and when measurement of the modulation accuracy is selected (CONFIgure:BURSt:MACCuracy[:IMMediate]).

Example:

"INST M GSM"	'Switches the instrument to GSM MS mode
"CONF:MTYP EDGE"	'Selects the modulation type EDGE (8PSK)
"CONF:BURS:MACC"	'Selects the MAC measurement
"SWE:COUN 20"	'Sets the number of bursts
"READ:BURS:MACC:RMS:AVER?"	'Starts the measurement and reads out the result

Characteristics: *RST value: --
 SCPI: device-specific

Mode: MS

This command is an event and therefore has no query and no *RST value .

READ:BURSt:MACCuracy:RMS:MAXimum?

This command starts the measurement of the modulation accuracy of the mobile and reads out the maximum of the RMS-measurement of the error vector magnitude taken over the selected number of bursts.

When the measurement is started the analyzer is automatically set to single sweep.

Further results of the modulation accuracy measurement can be then queried without restart of the measurement via the :FETCh:BURSt-subsystem.

An ongoing measurement can be aborted via the command ABORt .

This command is only available with GSM MS Analyzer (option FS-K5) and when measurement of the modulation accuracy is selected (CONFIgure:BURSt:MACCuracy[:IMMediate]).

Example:

"INST M GSM"	'Switches the instrument to GSM MS mode
"CONF:MTYP EDGE"	'Selects the modulation type EDGE (8PSK)
"CONF:BURS:MACC"	'Selects the MAC measurement
"SWE:COUN 20"	'Sets the number of bursts
"READ:BURS:MACC:RMS:MAX?"	'Starts the measurement and reads out the result

Characteristics: *RST value: --
 SCPI: device-specific

Mode: MS

This command is an event and therefore has no query and no *RST value .

READ:BURSt:MACCuracy:PEAK:AVERage?

This command starts the measurement of the modulation accuracy of the mobile and reads out the average of the PEAK-measurement of the error vector magnitude taken over the selected number of bursts.

When the measurement is started the analyzer is automatically set to single sweep.

Further results of the modulation accuracy measurement can be then queried without restart of the measurement via the :FETCh:BURSt-subsystem.

An ongoing measurement can be aborted via the command ABORt .

This command is only available with GSM MS Analyzer (option FS-K5) and when measurement of the modulation accuracy is selected (CONFIgure:BURSt:MACCuracy[:IMMediate]).

Example:

"INST MGSM"	'Switches the instrument to GSM MS mode
"CONF:MTYP EDGE"	'Selects the modulation type EDGE (8PSK)
"CONF:BURS:MACC"	'Selects the MAC measurement
"SWE:COUN 20"	'Sets the number of bursts
"READ:BURS:MACC:PEAK:AVER?"	'Starts the measurement and reads out the result

Characteristics: *RST value: --
SCPI: device-specific

Mode: MS

This command is an event and therefore has no query and no *RST value .

READ:BURSt:MACCuracy:PEAK:MAXimum?

This command starts the measurement of the modulation accuracy of the mobile and reads out the maximum of the PEAK-measurement of the error vector magnitude taken over the selected number of bursts.

When the measurement is started the analyzer is automatically set to single sweep. Further results of the modulation accuracy measurement can be then queried without restart of the measurement via the :FETCh:BURSt-subsystem.

An ongoing measurement can be aborted via the command ABORt .

This command is only available with GSM MS Analyzer (option FS-K5) and when measurement of the modulation accuracy is selected (CONFIgure:BURSt:MACCuracy[:IMMediate]).

Example:

"INST MGSM"	'Switches the instrument to GSM MS mode
"CONF:MTYP EDGE"	'Selects the modulation type EDGE (8PSK)
"CONF:BURS:MACC"	'Selects the MAC measurement
"SWE:COUN 20"	'Sets the number of bursts
"READ:BURS:MACC:PEAK:MAX?"	'Starts the measurement and reads out the result

Characteristics: *RST value: --
SCPI: device-specific

Mode: MS

This command is an event and therefore has no query and no *RST value .

READ:BURSt:MACCuracy:OSUPpress:AVERAge?

This command starts the measurement of the modulation accuracy of the mobile and reads out the average of the original offset suppression measurement taken over the selected number of bursts. When the measurement is started the analyzer is automatically set to single sweep. Further results of the modulation accuracy measurement can be then queried without restart of the measurement via the :FETCh:BURSt-subsystem.

An ongoing measurement can be aborted via the command ABORt.

This command is only available with GSM MS Analyzer (option FS-K5) and when measurement of the modulation accuracy is selected (CONFIgure:BURSt:MACCuracy[:IMMediate]).

Example:

"INST MGSM"	'Switches the instrument to GSM MS mode
"CONF:MTYP EDGE"	'Selects the modulation type EDGE (8PSK)
"CONF:BURS:MACC"	'Selects the MAC measurement
"SWE:COUN 20"	'Sets the number of bursts
"READ:BURS:MACC:OSUP:AVER?"	'Starts the measurement and reads out the result

Characteristics: *RST value: --
 SCPI: device-specific

Mode: MS

This command is an event and therefore has no query and no *RST value .

READ:BURSt:MACCuracy:OSUPpress:MAXimum?

This command starts the measurement of the modulation accuracy of the mobile and reads out the maximum of the original offset suppression measurement taken over the selected number of bursts. When the measurement is started the analyzer is automatically set to single sweep. Further results of the modulation accuracy measurement can be then queried without restart of the measurement via the :FETCh:BURSt-subsystem.

An ongoing measurement can be aborted via the command ABORt.

This command is only available with GSM MS Analyzer (option FS-K5) and when measurement of the modulation accuracy is selected (CONFIgure:BURSt:MACCuracy[:IMMediate]).

Example:

"INST MGSM"	'Switches the instrument to GSM MS mode
"CONF:MTYP EDGE"	'Selects the modulation type EDGE (8PSK)
"CONF:BURS:MACC"	'Selects the MAC measurement
"SWE:COUN 20"	'Sets the number of bursts
"READ:BURS:MACC:OSUP:MAX?"	'Starts the measurement and reads out the result

Characteristics: *RST value: --
 SCPI: device-specific

Mode: MS

This command is an event and therefore has no query and no *RST value .

READ:BURSt:MACCuracy:PERCentile:AVERage?

This command starts the measurement of the modulation accuracy of the mobile and reads out the average of the 95% percentile measurement taken over the selected number of bursts.

When the measurement is started the analyzer is automatically set to single sweep.

Further results of the modulation accuracy measurement can be then queried without restart of the measurement via the :FETCh:BURSt-subsystem.

An ongoing measurement can be aborted via the command ABORt.

This command is only available with GSM MS Analyzer (option FS-K5) and when measurement of the modulation accuracy is selected (CONFIgure:BURSt:MACCuracy[:IMMediate]).

Example:

"INST M GSM"	'Switches the instrument to GSM MS mode
"CONF:MTYP EDGE"	'Selects the modulation type EDGE (8PSK)
"CONF:BURS:MACC"	'Selects the MAC measurement
"SWE:COUN 20"	'Sets the number of bursts
"READ:BURS:MACC:PERC:AVER?"	'Starts the measurement and reads out the result

Characteristics: *RST value: --
SCPI: device-specific

Mode: MS

This command is an event and therefore has no query and no *RST value .

READ:BURSt:MACCuracy:PERCentile:MAXimum?

This command starts the measurement of the modulation accuracy of the mobile and reads out the maximum of the 95% percentile measurement taken over the selected number of bursts.

When the measurement is started the analyzer is automatically set to single sweep.

Further results of the modulation accuracy measurement can be then queried without restart of the measurement via the :FETCh:BURSt-subsystem.

An ongoing measurement can be aborted via the command ABORt.

This command is only available with GSM MS Analyzer (option FS-K5) and when measurement of the modulation accuracy is selected (CONFIgure:BURSt:MACCuracy[:IMMediate]).

Example:

"INST M GSM"	'Switches the instrument to GSM MS mode
"CONF:MTYP EDGE"	'Selects the modulation type EDGE (8PSK)
"CONF:BURS:MACC"	'Selects the MAC measurement
"SWE:COUN 20"	'Sets the number of bursts
"READ:BURS:MACC:PERC:MAX?"	'Starts the measurement and reads out the result

Characteristics: *RST value: --
SCPI: device-specific

Mode: MS

This command is an event and therefore has no query and no *RST value .

READ:BURSt:MACCuracy:FREQuency:AVERage?

This command starts the measurement of the modulation accuracy of the mobile and reads out the average of the frequency error measurement taken over the selected number of bursts. When the measurement is started the analyzer is automatically set to single sweep. Further results of the modulation accuracy measurement can be then queried without restart of the measurement via the :FETCh:BURSt-subsystem.

An ongoing measurement can be aborted via the command ABORt.

This command is only available with GSM MS Analyzer (option FS-K5) and when measurement of the modulation accuracy is selected (CONFigure:BURSt:MACCuracy[:IMMediate]).

Example:

"INST M GSM"	'Switches the instrument to GSM MS mode
"CONF:MTYP EDGE"	'Selects the modulation type EDGE (8PSK)
"CONF:BURS:MACC"	'Selects the MAC measurement
"SWE:COUN 20"	'Sets the number of bursts
"READ:BURS:MACC:FREQ:AVER?"	'Starts the measurement and reads out the result

Characteristics: *RST value: --
SCPI: device-specific

Mode: MS

This command is an event and therefore has no query and no *RST value .

READ:BURSt:MACCuracy:FREQuency:MAXimum?

This command starts the measurement of the modulation accuracy of the mobile and reads out the maximum of the frequency error measurement taken over the selected number of bursts. When the measurement is started the analyzer is automatically set to single sweep. Further results of the modulation accuracy measurement can be then queried without restart of the measurement via the :FETCh:BURSt-subsystem.

An ongoing measurement can be aborted via the command ABORt.

This command is only available with GSM MS Analyzer (option FS-K5) and when measurement of the modulation accuracy is selected (CONFigure:BURSt:MACCuracy[:IMMediate]).

Example:

"INST M GSM"	'Switches the instrument to GSM MS mode
"CONF:MTYP EDGE"	'Selects the modulation type EDGE (8PSK)
"CONF:BURS:MACC"	'Selects the MAC measurement
"SWE:COUN 20"	'Sets the number of bursts
"READ:BURS:MACC:FREQ:MAX?"	'Starts the measurement and reads out the result.

Characteristics: *RST value: --
SCPI: device-specific

Mode: MS

This command is an event and therefore has no query and no *RST value .

READ:BURSt:MACCuracy:IQOFset:AVERAge?

This command triggers the measurement of the modulation accuracy of the mobile and reads out the average of the IQ DC offset measurement in % for the selected number of bursts.

The start of the measurement automatically activates the single sweep mode.

Further results of the modulation accuracy measurement can then be queried via the `FETCh:BURSt` subsystem without restarting the measurement.

An ongoing measurement can be aborted by means of the `ABORt` command.

This command is only available in conjunction with the option GSM MS Analyzer FS-K5 if modulation accuracy measurement has been selected (`CONFiGure:BURSt:MACCuracy[:IMMediate]`).

Example:

"INST MGSM"	'Switches the instrument to GSM MS mode
"CONF:MTYP EDGE"	'Selects EDGE modulation (8PSK)
"CONF:BURS:MACC"	'Selects modulation accuracy (MAC) measurement
"SWE:COUN 20"	'Sets the number of bursts
"READ:BURS:MACC:IQOF:AVER?"	'Executes the measurement and queries the result

Characteristics: *RST value: --
SCPI: device-specific

Mode: MS

If no measurement has been carried out yet, a query error is indicated.
This command is a query and therefore has no *RST value.

READ:BURSt:MACCuracy:IQOFset:MAXimum?

This command triggers the measurement of the modulation accuracy of the mobile and reads out the maximum of the IQ DC offset measurement in % for the selected number of bursts.

The start of the measurement automatically activates the single sweep mode.

Further results of the modulation accuracy measurement can then be queried via the `FETCh:BURSt` subsystem without restarting the measurement.

An ongoing measurement can be aborted by means of the `ABORt` command.

This command is only available in conjunction with the option GSM MS Analyzer FS-K5 if modulation accuracy measurement has been selected (`CONFiGure:BURSt:MACCuracy[:IMMediate]`).

Example:

"INST MGSM"	'Switches the instrument to GSM MS mode
"CONF:MTYP EDGE"	'Selects EDGE modulation (8PSK)
"CONF:BURS:MACC"	'Selects modulation accuracy (MAC) measurement
"SWE:COUN 20"	'Sets the number of bursts
"READ:BURS:MACC:IQOF:MAX?"	'Executes the measurement and queries the result

Characteristics: *RST value: --
SCPI: device-specific

Mode: MS

If no measurement has been carried out yet, a query error is indicated.
This command is a query and therefore has no *RST value.

FETCh:BURSt:MACCuracy:IQIMbalance:AVERage?

This command triggers the measurement of the modulation accuracy of the mobile and reads out the average of the IQ imbalance measurement in % for the selected number of bursts. The start of the measurement automatically activates the single sweep mode. Further results of the modulation accuracy measurement can then be queried via the FETCh:BURSt subsystem without restarting the measurement. An ongoing measurement can be aborted by means of the ABORt command. This command is only available in conjunction with the option GSM MS Analyzer FS-K5 if modulation accuracy measurement has been selected (CONFIgure:BURSt:MACCuracy[:IMMEDIATE]).

Example:

"INST M GSM"	'Switches the instrument to GSM MS mode
"CONF:MTYP EDGE"	'Selects EDGE modulation (8PSK)
"CONF: BURS:MACC"	'Selects modulation accuracy (MAC) measurement
"SWE:COUN 20"	'Sets the number of bursts
"READ: BURS:MACC:IQIM:AVER?"	'Executes the measurement and queries the result

Characteristics: *RST value: --
 SCPI: device-specific

Mode: MS

If no measurement has been carried out yet, a query error is indicated. This command is a query and therefore has no *RST value.

FETCh:BURSt:MACCuracy:IQIMbalance:MAXimum?

This command triggers the measurement of the modulation accuracy of the mobile and reads out the maximum of the IQ imbalance measurement in % for the selected number of bursts. The start of the measurement automatically activates the single sweep mode. Further results of the modulation accuracy measurement can then be queried via the FETCh:BURSt subsystem without restarting the measurement. An ongoing measurement can be aborted by means of the ABORt command. This command is only available in conjunction with the option GSM MS Analyzer FS-K5 if modulation accuracy measurement has been selected (CONFIgure:BURSt:MACCuracy[:IMMEDIATE]).

Example:

"INST M GSM"	'Switches the instrument to GSM MS mode
"CONF:MTYP EDGE"	'Selects EDGE modulation (8PSK)
"CONF: BURS:MACC"	'Selects modulation accuracy (MAC) measurement
"SWE:COUN 20"	'Sets the number of bursts
"READ: BURS:MACC:IQIM:MAX?"	'Executes the measurement and queries the result

Characteristics: *RST value: --
 SCPI: device-specific

Mode: MS

If no measurement has been carried out yet, a query error is indicated. This command is a query and therefore has no *RST value.

READ:SPECTrum Subsystem

This subsystem provides the commands for starting measurements in the GSM MS mode (FS-K5), which are used to measure the power of the spectral components due to modulation and switching, and for reading out the results subsequently.

Measurement of spectrum due to modulation (MOD)

Measurement of spectrum due to transients (TRA)

COMMAND	PARAMETERS	UNIT	COMMENT
READ			Option FS-K5
:SPECTrum			
:MODulation			
[:ALL?]	--	--	query only
:REFerence			
[:IMMediate?]	--	--	query only
:SWITching			
[:ALL?]	--	--	query only

READ:SPECTrum:MODulation[:ALL]?

This command starts the measurement of the modulation spectrum of the mobile and reads out the result. The measurement is performed in the frequency range ARFCN \pm 1.8 MHz.

The result is read out as a list of partial ASCII result strings separated by ',' in the following format:

```
<Index>,<Freq1>,<Freq2>,<Level>,<Limit>, <Abs/Rel>,<Status> [,
<Index>,<Freq1>,<Freq2>,<Level>,<Limit>, <Abs/Rel>,<Status>]...
```

where the part set in '['...]' characterizes a partial result string which can be repeated n times.

<Index>: 0, if the partial result string characterizes a measurement range.
 current number <>0,
 if the partial result string characterizes a single limit excess.

<Freq1>: Start frequency of the measurement range or frequency where the limit is exceeded.

<Freq2>: Stop frequency of the measurement range or frequency where the measured range is exceeded. The value of <Freq2> is equal to the value of <Freq1>, if either the measurement is performed in the time domain or the partial result string contains a limit excess.

<Level>: Measured maximum level of the partial range or measured level at the test point.

<Limit>: Limit in the partial range or at the test point.

<Abs/Rel>: ABS <Level> and <Limit> are in absolute units (dBm)
 REL <Level> and <Limit> are in relative units (dB)

<Status>: Result of the limit check in character data form:
 PASSED no limit exceeded
 FAILED limit exceeded
 MARGIN margin exceeded

The frequencies <Freq1> and <Freq2> are always absolute and not referred to the carrier frequency.

An ongoing measurement can be aborted via the command `ABORT`.

This command is only available with GSM MS Analyzer FS-K5 option and when modulation spectrum measurement is selected (see `:CONFIGure:SPECTrum:MODulation`).

Example: "INST MGSM" 'Switches the instrument to GSM MS mode
 "CONF:SPEC:MOD" 'Selects the MOD measurement
 "READ:SPEC:MOD:REF?" 'Executes the premeasurement and queries
 'the result.
 "READ:SPEC:MOD?" 'Executes the measurement in the time
 'domain and queries the result.

Result: 0,890E6,915E6,-87.4,-108.0,ABS,FAILED,
 1,893.2E6,893.2E6,-83.2,-108.0,ABS,FAILED,
 2,895.7E6,895.7E6,-87.4,-108.0,ABS,FAILED

Characteristics: *RST value: --
 SCPI: device-specific

Mode: MS

This command is an event and therefore has no query and no *RST value .

READ:SPECTrum:MODulation:REFerence[:IMMediate]?

This command starts the premeasurement of the modulation due to spectrum measurement and reads out the result.

The result is output as a list of partial result strings separated by ',' in the following (ASCII) format:

<Level1>,<Level2>,<RBW>

<Level1>: measured level

<Level2>: level corrected by means of the bandwidth

<RBW>: bandwidth

This command is only available in GSM MS mode (FS-K5) and when measurement of the modulation due to spectrum is selected (see :CONFigure:SPECTrum:MODulation).

Example: "INST MGSM" 'Switches the instrument to GSM MS mode
 "CONF:SPEC:MOD" 'Selects the MOD measurement
 "READ:SPEC:MOD:REF?" 'Executes the premeasurement and queries
 'the result.

Result: 35.2,43.2,30000

Characteristics: *RST value: --
 SCPI: device-specific

Mode: MS

This command is an event and therefore has no query and no *RST value .

READ:SPECTrum:SWITching[:ALL]?

This command starts the measurement of the transient spectrum of the mobile and reads out the result.

The result is read out as a list of partial ASCII result strings separated by ',' in the format used for READ:SPECTrum:MODulation[:ALL]?

An ongoing measurement can be aborted via the command ABORT.

This command is only available in GSM MS Analyzer mode (FS-K5) and when the spectrum due to switching measurement is selected (see :CONFigure:SPECTrum:SWITChing)

Example:	"INST MGSM"	'Switches the instrument to GSM MS mode
	"CONF:SPEC:SWIT"	'Selects the TRA measurement
	"READ:SPEC:SWIT?"	'Executes the measurement in the time domain and queries the result.

Result:	0,833.4E6,833.4E6,37.4,-36.0,ABS,MARGIN,
	1,834.0E6,834.0E6,-35.2,-36.0,ABS,FAILED,
	2,834.6E6,834.6E6,-74.3,-75.0,REL,FAILED
	0,835.0E6,835.0E6,-65,0,-60.0,REL,PASSED

Characteristics:	*RST value: --
	SCPI: device-specific

Mode: MS

This command is an event and therefore has no query and no *RST value .

SENSe Subsystem

The SENSe subsystem is organized in several subsystems. The commands of these subsystems directly control device-specific settings, they do not refer to the signal characteristics of the measurement signal.

The SENSe subsystem controls the essential parameters of the analyzer. In accordance with the SCPI standard, the keyword "SENSe" is optional for this reason, which means that it is not necessary to include the SENSe node in command sequences.

The measurement windows are selected by SENSe1 and SENSe2:

SENSe1 = Modification of screen A settings

SENSe2 = Modification of screen B settings.

Screen A is automatically selected if 1 or 2 is missing.

[SENSe:]ADEMod - Subsystem

The purpose of the commands defined below is to set up the instrument for the measurement of FM and AM modulated signals in a way that allows to obtain as many measurement results as possible with a single shot measurement.

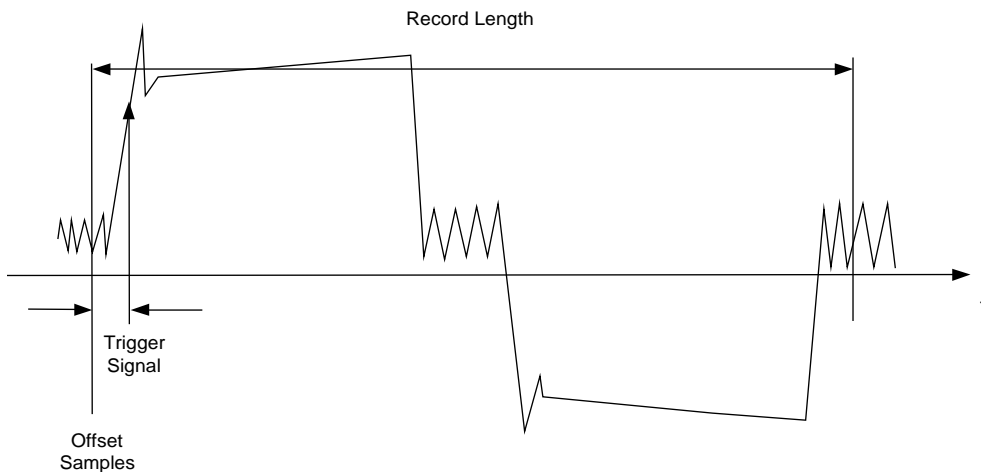
For that purpose the instrument has been equipped with a demodulator that is capable of performing both FM and AM demodulation at a time. Additionally maximum, minimum and average or current values can be obtained in parallel over a selected number of measurements. In order to make it suitable for burst signals the demodulator can be configured in terms of pretrigger time, sample rate and record length.

Note: Demodulation will be performed offline, that means, on signals previously stored into memory. The I/Q memory available for that purpose is 2 x 128 k samples. The sample rate can be selected in the range of 15.625 kHz to 32 MHz.

Example:

For a Bluetooth signal, the signal schematic under request is described in the following diagram:

Frequency versus time:



Measurement results of interest are:

- FM Offset
- FM Deviation (maximum and minimum) for signal modulated with '1'-values only
- FM Deviation (maximum and minimum) for signal modulated with '0'-values only
- AM Modulation Depth for positive and negative burst ramp.

These values can be obtained by external computations on the frequency or amplitude versus time data. For that purpose the FSP will deliver the following results:

- Demodulated FM signal (current values, averaged, maxhold, minhold selectable)
- Demodulated AM component of the signal (current values, averaged, maxhold, minhold selectable)
- FM Offset (current value or averaged selectable)

Therefore parameters to be set up on the analyzer are:

- types of demodulation to measure simultaneously (AM/FM)
- sample rate
- record length
- trigger source (free Run/external)
- pretrigger samples
- # of measurements to use for average/maxhold/minhold

Additionally for each demodulation type the required result values need to be configured. The FSP is capable to perform two modulation types at a time with a maximum of 3 different result types per demodulation. Possible selections for the result types are

- WRITeThe current measurement results will be obtained
- AVERAgeThe measurement results will be averaged over the given # of measurements
- MAXHoldThe maximum result values will be obtained over the given # of measurements
- MINHoldThe minimum result values will be obtained over the given # of measurements

The commands defined below will be used in the following way:

Setting up the instrument and querying the result list after synchronization to the end of measurement: With this method the control computer can be used for other activities while the FSP is performing the measurement.

Note: *Analog demodulation is only available for screen A. Therefore the command sequence "SENSe2..." is not available for the commands of the SENSe:ADEMod subsystem.*

COMMAND	PARAMETERS	UNIT	COMMENT
[SENSe<1 2>] :ADEMod			Option FM Demodulator
:AF			
:COUPling	AC DC		
:BANDwidth			
:DEModulation	<numeric_value>	HZ	
:BWIDth			
:DEModulation	<numeric_value>	HZ	
:MTIMe	<numeric_value>	S	
:RLENgth?			query only
[:STATe]	<Boolean>		
:SET	<numeric_value>, <numeric_value>, IMMediate EXTErnal, POSitive NEGative, <numeric_value>, <numeric_value>	HZ, --, --, --, --, --	
:SRATe?			query only
:AM			
[:TYPE]	WRITe AVERAge MAXHold MINHold OFF, WRITe AVERAge MAXHold MINHold OFF, WRITe AVERAge MAXHold MINHold OFF		
:RESult?	WRITe AVERAge MAXHold MINHold OFF		
:FM			
[:TYPE]	WRITe AVERAge MAXHold MINHold OFF, WRITe AVERAge MAXHold MINHold OFF, WRITe AVERAge MAXHold MINHold OFF		
:RESult?	WRITe AVERAge MAXHold MINHold OFF		
:OFFSet?	IMMediate AVERAge		
:SPECTrum			
:BANDwidth			
[:RESolution]	<numeric_value>	HZ	
:BWIDth			
[:RESolution]	<numeric_value>	HZ	
:SPAN	<numeric_value>	HZ	
[:TYPE]	WRITe AVERAge MAXHold MINHold VIEW OFF, WRITe AVERAge MAXHold MINHold VIEW OFF, WRITe AVERAge MAXHold MINHold VIEW OFF		
:RESult?	WRITe AVERAge MAXHold MINHold		
:ZOOM			
[:STATe]	<Boolean>		
:STARt	<numeric_value>	S	

[SENSe:]ADEMod:AF:COUPling AC | DC

This command selects the coupling of the AF path of the analyzer.

Example: "ADEM:AF:COUP DC" 'Switches on DC coupling.

Characteristics: *RST value: AC
SCPI: device-specific

Mode: A

This command is only available with option FS-K7 (FM Demodulator).

[SENSe:]ADEMod:BANDwidth | BWIDth:DEModulation <numeric_value>

This command defines the demodulation bandwidth used for analog demodulation. The required sampling rate is automatically set depending on the selected demodulation bandwidth. The available demodulation bandwidths are determined by the existing sampling rates.

Rounded demodulation bandwidth	Sampling rate
10 MHz	32 MHz
8 MHz	16 MHz
5 MHz	8 MHz
3 MHz	4 MHz
1.6 MHz	2 MHz
800 kHz	1 MHz
400 kHz	500 kHz
200 kHz	250 kHz
100 kHz	125 kHz
50 kHz	62.5 kHz
25 kHz	31.25 kHz
12.5 kHz	15.625 kHz

Example: "ADEM:BAND:DEM 1MHz" 'Sets the demodulation bandwidth to 1 MHz.

Characteristics: *RST value: 5 MHz
SCPI: device-specific

Mode: FM

This command is only available with option FS-K7 (FM Demodulator).

[SENSe:]ADEMod:MTIME <numeric_value>

This command defines the measurement time for analog demodulation.

Example: "ADEM:BAND:MTIM 62.625us" 'Sets the measurement time to 62.625 μ s.

Characteristics: *RST value: 62.625us
SCPI: device-specific

Mode: FM

This command is only available with option FS-K7 (FM Demodulator).

[SENSe:]ADEMod:RENGth?

This command returns the record length set up for the current analog demodulation measurement.

Example: "ADEM:RENG?" 'Returns the current record length.

Characteristics: *RST value: -
SCPI: device-specific

Mode: FM

This command is only available with option FS-K7 (FM Demodulator).

[SENSe:]ADEMod[:STATe] ON | OFF

This command activates the FM demodulator of the instrument. The instrument will be set to time domain measurement (span = 0) at the current center frequency. The detector will be set to SAMPLE, the demodulator itself will be set up according to the parameters of command [SENSe:]ADEMod:SET.

Note:

The measurement is always performed in Screen A. Split Screen operation will be switched off as soon as the Demodulator is activated.

Example: "ADEM ON" 'Switches the AM/FM demodulator on with the parameters set by [SENSe:]ADEMod:SET.

Characteristics: *RST value: OFF
SCPI: device-specific

Mode: FM

This command is only available with option FS-K7 (FM Demodulator).

[SENSe:]ADEMod:SET <sample rate>,<record length>,<trigger source>,<trigger slope>,<offset samples>,<# of meas>

This command configures the AM/FM demodulator of the instrument.

Parameters:

<sample rate>: The frequency at which measurement values are taken from the A/D-converter and stored in I/Q memory.

Valid range: 15.625 kHz, 31.25 kHz, 62.5 kHz, 125 kHz,
250 kHz, 500 kHz,
1 MHz, 2 MHz, 4 MHz, 8 MHz, 16 MHz,
32 MHz with <filter type> = NORMAL

<record length>: Number of samples to be stored in I/Q memory.

Valid range: 1 to 130560 (128 * 1024 - 512)

<trigger source>: Selection of the trigger source to use for the demodulator.

Valid values: IMMEDIATE | EXTERNAL | IFPOWER | RFPower | AF | AM | FM

Notes:

IFPower and RFPower are available as of model 03 of the detector board assembly.

RFPower requires the TV and RF Trigger option FSP-B6.

After selecting IFPower and RFPower, the trigger threshold can be set with command TRIG:LEV:IFP or TRIG:LEV:RFP.

- <trigger slope>: Used slope of the trigger signal.
Valid values: POSitive | NEGative
The value indicated here will be ignored for <trigger source> = IMMEDIATE.
- <offset samples>: Number of samples to be used as an offset to the trigger signal.
Valid range: -65024 to 130559 (= -64 * 1024 + 512 to 128 * 1024 - 513)
The value indicated here will be ignored for <trigger source> = IMMEDIATE.
- <# of meas>: Number of repetitions of the measurement to be executed. The value indicated here is especially necessary for the average/maxhold/minhold function.
Valid range: 0 to 32767

Examples: ADEM:SET 8MHz,32000,EXT,POS,-500,30 'Executes a measurement at
sample rate= 8 MHz
record length= 32000
trigger source = EXTERNAL
trigger slope = POSitive
offset samples = -500 (= 500
samples before trigger
occurred)
of meas = 30

Characteristics: *RST values: sample rate= 8 MHz
record length= 501
trigger source = IMMEDIATE
trigger slope = POSitive
offset samples = 0
of meas = 0

SCPI: device-specific

Mode: FM

This command is only available with option FS-K7 (FM Demodulator).

[SENSe:]ADEMod:SRATe?

This command returns the sample rate set up for the current analog demodulation measurement.

Example: "ADEM:SRAT?" 'Returns the current sample rate.

Characteristics: *RST value: -
SCPI: device-specific

Mode: FM

This command is only available with option FS-K7 (FM Demodulator).

[SENSe:]ADEMod:AM[:TYPE] <result type 1>,<result type 2>,<result type 3>

This command selects the result types to be created in parallel by AM demodulation.

Parameters:	<result type 1/2/3>: WRITe	The current measurement results will be obtained
	AVERAge	The measurement results will be averaged over the given # of measurements
	MAXHold	The maximum result values will be obtained over the given # of measurements
	MINHold	The minimum result values will be obtained over the given # of measurements
	VIEW	The measurement results are frozen and displayed, i.e. they are not calculated for subsequent measurements.
	OFF	The result type will not be used.

Notes:

*Each value besides OFF can only be assigned to one result type at a time.
Setting all result types to OFF will deactivate the AM demodulator.*

Examples:	ADEM:AM AVER,MAXH,MINH	'Creates average, max hold and min hold values at 'a time
	ADEM:AM WRIT,OFF,OFF	'Creates only the current measurement values
	ADEM:AM OFF,OFF,OFF	'Switches FM demodulation off

Characteristics: *RST values: WRITe,OFF,OFF

SCPI: device-specific

Mode: A

This command is only available with option FS-K7 (FM Demodulator).

[SENSe:]ADEMod:AM:RESult? <result type>

This command reads the result data obtained by AM demodulation depending on the type indicated as a parameter. The data format of the output data block is defined by the FORMat command.

Note: *It is not possible to read out trace data when result type VIEW is selected.*

Parameters:	<result type>: WRITe	The current measurement results will be obtained
	AVERAge	The measurement results will be averaged over the given # of measurements
	MAXHold	The maximum result values will be obtained over the given # of measurements
	MINHold	The minimum result values will be obtained over the given # of measurements

Notes:

*The result type indicated must be one of those configured by [SENSe:]ADEMod:AM[:TYPE].
Otherwise a query error will be generated.*

Return Values:**ASCII Format (FORMat ASCII):**

In this case the command will yield a list of comma separated values (CSV) of the measured values in floating point format. The output unit is dBm *with logarithmic display and V with linear display.*

Binary Format (FORMat REAL,32):

In this case the command will yield binary data (Definite Length Block Data according to IEEE 488.2), each measurement value being formatted in 32 Bit IEEE 754 Floating-Point-Format. The schematics of the result string will be as follows:

```
#41024<value1><value2>...<value n>
with
#4      number of digits (= 4 in the example) of the following number of data bytes
1024   number of following data bytes (= 1024 in the example)
<value x> 4-Byte-Floating Point Value
```

Examples:	ADEM:SET 8MHz,32000,EXT,POS,-500,30	'Sets up demodulator parameters
	ADEM:FM AVER,MAXH,MINH	'Sets up FM results to measure
	ADEM:AM WRIT,OFF,OFF	'Sets up AM results to measure
	ADEM ON	'Switches on demodulator
	INIT;*WAI	'Starts measurement and waits 'for sync
	FORM ASC	'Selects output format
	ADEM:FM:RES? AVER	'Reads FM average results
	ADEM:FM:RES? MAXH	'Reads FM max hold results
	ADEM:FM:RES? MINH	'Reads FM min hold results
	ADEM:AM:RES? WRIT	'Reads AM current results

Characteristics: *RST values: -
SCPI: device-specific

Mode: FM

This command is only available with option FS-K7 (FM Demodulator).

[SENSe:]ADEMod:FM[:TYPE] <result type 1>,<result type 2>,<result type 3>

This command selects the result types to be created in parallel by FM demodulation.

Parameters:	<result type 1/2/3>: WRITe	The current measurement results will be obtained
	AVERage	The measurement results will be averaged over the given # of measurements
	MAXHold	The maximum result values will be obtained over the given # of measurements
	MINHold	The minimum result values will be obtained over the given # of measurements
	VIEW	The measurement results are frozen and displayed, i.e. they are not calculated for subsequent measurements.
	OFF	The result type will not be used.

Notes:

*Each value besides OFF can only be assigned to one result type at a time.
Setting all result types to OFF will deactivate the FM demodulator.*

Examples:	ADEM:FMAVER,MAXH,MINH	'Creates average, max hold and min hold values 'at a time
	ADEM:FMWRIT,OFF,OFF	'Only creates the current measurement values
	ADEM:FMOFF,OFF,OFF	'Switches FM demodulation off

Characteristics: *RST values: WRITe,OFF,OFF
SCPI: device-specific

Mode: FM

This command is only available with option FS-K7 (FM Demodulator).

[SENSe:]ADEMod:FM:RESult? <result type>

This command reads the result data obtained by FM demodulation depending on the type indicated as a parameter. The data format of the output data block is defined by the FORMat command.

Note: *It is not possible to read out trace data when result type VIEW is selected.*

Parameters: <result type>: WRITe The current measurement results will be obtained
AVERage The measurement results will be averaged over the given # of measurements
MAXHold The maximum result values will be obtained over the given # of measurements
MINHold The minimum result values will be obtained over the given # of measurements

Notes:

The result type indicated must be one of those configured by [SENSe:]ADEMod:FM[:TYPE]. Otherwise a query error will be generated.

Return Values

ASCII Format (FORMat ASCII):

In this case the command will yield a list of comma separated values (CSV) of the measured values in floating point format. The output unit is Hz.

Binary Format (FORMat REAL,32):

In this case the command will yield binary data (Definite Length Block Data according to IEEE 488.2), each measurement value being formatted in 32 Bit IEEE 754 Floating-Point-Format. The schematics of the result string will be as follows:

```
#41024<value1><value2>...<value n>
with
#4      number of digits (= 4 in the example) of the following number of data bytes
1024   number of following data bytes (= 1024 in the example)
<value x> 4-Byte-Floating Point Value
```

Examples:	ADEM:SET 8MHz, 32000, EXT, POS, -500, 30	'Sets up demodulator parameters
	ADEM:FM AVER, MAXH, MINH	'Sets up FM results to measure
	ADEM:AM WRIT, OFF, OFF	'Sets up SPEC results to measure
	ADEM ON	'Switches on demodulator
	INIT; *WAI	'Starts measurement and waits
		'for sync
	FORM ASC	'Selects output format
	ADEM:FM:RES? AVER	'Reads FM average results
	ADEM:FM:RES? MAXH	'Reads FM max hold results
	ADEM:FM:RES? MINH	'Reads FM min hold results
	ADEM:AM:RES? WRIT	'Reads AM current results

Characteristics: *RST values: -
SCPI: device-specific

Mode: FM

This command is only available with option FS-K7 (FM Demodulator).

[SENSe:]ADEMod:FM:OFFSet? <result type>

This command calculates the FM offset of the currently available measurement data set. If averaging has been activated before acquiring the data set (using [SENSe:]ADEMod:FM[:TYPE]), the averaged FM offset over several measurements can be obtained as well by setting <result type> = AVERage.

The offset thus determined differs from that calculated in the command CALC:MARK:FUNC:ADEM:FERR?, since using that command, for determination of the frequency deviation, the modulation is removed by means of lowpass filtering, producing results that are different from those obtained by averaging.

Parameters: <result type>: IMMEDIATE The current measurement results will be used for calculating the FM offset
 AVERage The measurement results that were averaged over the given # of measurements will be used for calculating the FM offset

Note:

If no average measurement was active during the last measurement sequence only the command [SENSe:]ADEMod:FM:OFFSet? IMMEDIATE will return a valid result (data to calculate the offset are taken from the last measured data set).

[SENSe:]ADEMod:FM:OFFSet? AVERage will cause a query error in this case.

Examples:

ADEM:SET 8MHz,32000,EXT,POS,-500,30	'Sets up demodulator parameters to execute 30 measurements
ADEM:FM AVER,OFF,OFF	'Sets up FM results to do averaging
ADEM:AM OFF,OFF,OFF	'Sets up AM results to off
ADEM ON	'Switches on demodulator
INIT;*WAI	'Starts measurement and waits for sync
ADEM:FM:OFFS? IMM	'Reads FM offset of last measurement of the sequence of 30
ADEM:FM:OFFS? AVER	'Reads FM offset averaged over 30 measurements

Characteristics: *RST values: -
 SCPI: device-specific

Mode: FM

This command is only available with option FS-K7 (FM Demodulator).

[SENSe:]ADEMod:SPECTrum:BANDwidth|BWIDth[:RESolution] 1 Hz to 10 MHz

This command sets the resolution bandwidth for displaying the RF spectrum that was determined from the analog demodulation data.

The recording time required is calculated from the given measurement time and the sampling rate indirectly set via `FREQ:SPAN`. If the available recording time is not sufficient for the given bandwidth, the recording time is set to its maximum and the resolution bandwidth is enlarged to the resulting bandwidth.

Example: "`ADEM:BAND:RES 61.2kHz`" 'Sets the resolution bandwidth to 61.2 kHz.

Characteristics: *RST value: 61.2 kHz
SCPI: device-specific

Mode: FM

This command is only available with option FS-K7 (FM Demodulator).

[SENSe:]ADEMod:SPECTrum:SPAN <numeric_value>

This command sets the frequency range for displaying the RF spectrum that was determined from the FM demodulation data.

Only discrete values are possible for the span since the available sampling rates are discrete.

Span	Sampling rate
10 MHz	32 MHz
8 MHz	16 MHz
5 MHz	8 MHz
3 MHz	4 MHz
1.6 MHz	2 MHz
800 kHz	1 MHz
400 kHz	500 kHz
200 kHz	250 kHz
100 kHz	125 kHz
50 kHz	62.5 kHz
25 kHz	31.25 kHz
12.5 kHz	15.625 kHz

Example: "`ADEM:SPEC:SPAN 5 MHz`" 'Sets the frequency range to 5 MHz.

Characteristics: *RST value: 5 MHz
SCPI: device-specific

Mode: FM

This command is only available with option FS-K7 (FM Demodulator).

[SENSe:]ADEMod:SPECTrum[:TYPE] <result type 1>,<result type 2>,<result type 3>

This command selects the result types to be created in parallel by the RF SPECTrum measurement with active analog demodulation.

Parameters: <result type 1/2/3>.: WRITe	The current measurement results will be obtained
AVERAge	The measurement results will be averaged over the given # of measurements
MAXHold	The maximum result values will be obtained over the given # of measurements
MINHold	The minimum result values will be obtained over the given # of measurements
VIEW	The measurement results are frozen and displayed, i.e. they are not calculated for subsequent measurements.
OFF	The result type will not be used.

Notes:

Each value besides OFF can only be assigned to one result type at a time.

Examples:	ADEM:SPEC AVER,MAXH,MINH	'Creates average, max hold and min hold values at a time
	ADEM:SPEC WRIT,OFF,OFF	'Only creates the current measurement values
	ADEM:SPEC OFF,OFF,OFF	'Switches FM demodulation off

Characteristics: *RST values: OFF,OFF,OFF
SCPI: device-specific

Mode: FM

This command is only available with option FS-K7 (FM Demodulator).

[SENSe:]ADEMod:SPECTrum:RESult? <result type>

This command reads the result data obtained by RF SPECTrum measurement depending on the type indicated as a parameter. The data format of the output data block is defined by the FORMat command.

Note: *It is not possible to read out trace data when result type VIEW is selected.*

Parameters: <result type>: WRITe	The current measurement results will be obtained
AVERAge	The measurement results will be averaged over the given # of measurements
MAXHold	The maximum result values will be obtained over the given # of measurements
MINHold	The minimum result values will be obtained over the given # of measurements

Notes:

The result type indicated must be one of those configured by [SENSe:]ADEMod:SPEC[:TYPE]. Otherwise a query error will be generated.

Return Values:**ASCII Format (FORMat ASCII):**

In this case the command will yield a list of comma separated values (CSV) of the measured values in floating point format. The output unit is dBm.

Binary Format (FORMat REAL,32):

In this case the command will yield binary data (Definite Length Block Data according to IEEE 488.2), each measurement value being formatted in 32 Bit IEEE 754 Floating-Point-Format. The schematics of the result string will be as follows:

#41024<value1><value2>...<value n>

with

#4 number of digits (= 4 in the example) of the following number of data bytes

1024 number of following data bytes (= 1024 in the example)

<value x> 4-Byte-Floating Point Value

Examples:

ADEM:SET 8MHz,32000,EXT,POS,-500,30	'Sets up demodulator parameters
ADEM:SPEC AVER,MAXH,MINH	'Sets up RF spectrum results
	'to measure
ADEM:SPEC WRIT,OFF,OFF	'Sets up AM results to measure
ADEM ON	'Switches on demodulator
INIT;*WAI	'Starts measurement and waits
	'for sync
FORM ASC	'Selects output format
ADEM:SPEC:RES? AVER	'Reads RF spectrum average
	'results
ADEM:SPEC:RES? MAXH	'Reads RF spectrum max hold
	'results
ADEM:SPEC:RES? MINH	'Reads RF spectrum min hold
	'results
ADEM:SPEC:RES? WRIT	'Reads spectrum current results

Characteristics: *RST values: -
SCPI: device-specific

Mode: FM

This command is only available with option FS-K7 (FM Demodulator).

[SENSe<1|2>:]ADEMod:ZOOM[:STATe>] ON | OFF

The command enables or disables the zoom function for the FM-demodulator measurement data. Depending on the selected measurement time and the demodulation bandwidth, the number of recorded test points may be greater than that shown on the display.

With the zoom function enabled, exactly 501 test points of the result memory are displayed from the time defined with [SENS:]ADEM:ZOOM:START.

With the zoom function disabled, data reduction is used to adapt the test points to the number of points available on the display.

Example: "ADEM:ZOOM ON" 'Switches on the zoom function

Characteristics: *RST value: OFF
SCPI: device-specific

Mode: FM

This command is only available with option FS-K7 (FM demodulator) installed

[SENSe<1|2>:]ADEMod:ZOOM:STARt 0s to measurement time

The command selects the start time for the display of individual measured values of the FM demodulator. The maximum possible value depends on the measurement time, which is set in the instrument and can be queried with command [SENSe]:ADEMod:MTIME?.

If the zoom function is activated, 501 test points are displayed from the specified start time.

Example: "ADEM:ZOOM ON" 'Switches on the zoom function
"ADEM:ZOOM:STAR 500us" 'Sets the starting point of the display to 500 μ s.

Characteristics: *RST value: 0 s
SCPI: device-specific

Mode: FM

This command is only available with option FS-K7 (FM demodulator) installed

SENSe:AVERage Subsystem

The SENSe:AVERage subsystem calculates the average of the acquired data. A new test result is obtained from several successive measurements.

There are two types of average calculation: logarithmic and linear. In case of logarithmic average calculation (denoted with VIDEo), the average value of the measured logarithmic power is calculated and in case of linear average calculation, the linear power is averaged before the logarithm is applied.

The measurement windows are selected by SENSe1 (screen A) and SENSe2 (screen B).

COMMAND	PARAMETERS	UNIT	COMMENT
[SENSe<1 2>] :AVERage			
:COUNT	<numeric_value>	--	
[:STATe<1 to 3>]	<Boolean>	--	
:TYPE	VIDeo LINear	--	

[SENSe<1|2>:]AVERage:COUNT 0 to 32767

This command defines the number of measurements which contribute to the average value.

It should be noted that continuous averaging will be performed after the indicated number has been reached in continuous sweep mode.

In single sweep mode, the sweep is stopped as soon as the indicated number of measurements (sweeps) is reached. Synchronization to the end of the indicated number of measurements is only possible in single sweep mode.

The command [SENSe<1 | 2>:]AVERage:COUNT is the same as command [SENSe<1 | 2>:]SWEep:COUNT. In both cases, the number of measurements is defined whether the average calculation is active or not.

The number of measurements is valid for all traces in the indicated measurement window.

Example:

"SWE:CONT OFF"	Switching to single-sweep mode.
"AVER:COUN 16"	'Sets the number of measurements to 16.
"AVER:STAT ON"	'Switches on the calculation of average.
"INIT;*WAI"	'Starts the measurement and waits for the end of the 16 sweeps.

Characteristics: *RST value: 0
SCPI: conforming

Mode: all

[SENSe<1|2>:]AVERage[:STATe<1 to 3>] ON | OFF

This command switches on or off the average calculation for the selected trace (STATe<1 to 3>) in the selected measurement window.

Example:

"AVER OFF"	'Switches off the average calculation for trace 1 in screen A.
"SENS2:AVER:STAT3 ON"	'Switches on the average calculation for trace 3 in screen B.

Characteristics: *RST value: OFF
SCPI: conforming

Mode: all

[SENSe<1|2>:]AVERage:TYPE VIDEo | LINear

This command selects the type of average function. If VIDEo is selected, the logarithmic power is averaged and, if LINear is selected, the power values are averaged before they are converted to logarithmic values.

The type of average calculation is equally set for all traces in one measurement window.

Example: "AVER:TYPE LIN" 'Switches screen A to linear average calculation.

Characteristics: *RST value: VIDEo
SCPI: device-specific

Mode: A, MS

SENSe:BANDwidth Subsystem

This subsystem controls the setting of the instrument's filter bandwidths. Both groups of commands (BANDwidth and BWIDth) perform the same functions. The measurement windows are selected by SENSe1 (screen A) and SENSe2 (screen B).

COMMAND	PARAMETERS	UNIT	COMMENT
[SENSe<1 2>] :BANDwidth			
[:RESolution]	<numeric_value>	HZ	
:AUTO	<Boolean>	--	
:RATio	<numeric_value>	--	
:TYPE	NORMal FFT CFILter RRC	--	
:VIDeo	<numeric_value>	HZ	
:AUTO	<Boolean>	--	
:RATio	<numeric_value>	--	
:TYPE	LINear LOGarithmic	--	
:DEMod	numeric_value>	HZ	Option FM demodulator
:BWIDth			
[:RESolution]	<numeric_value>	HZ	
:AUTO	<Boolean>	--	
:RATio	<numeric_value>	--	
:TYPE	NORMal FFT CFILter RRC	--	
:VIDeo	<numeric_value>	HZ	
:AUTO	<Boolean>	--	
:RATio	<numeric_value>	--	
:TYPE	LINear LOGarithmic	--	
:DEMod	<numeric_value>	HZ	Option FM demodulator

[SENSe<1|2>:]BANDwidth|BWIDth[:RESolution] <numeric_value>

This command defines the analyzer's resolution bandwidth. This corresponds to the IF bandwidth of the demodulator in FM demodulator mode.

Analog resolution filters from 10 Hz to 10 MHz in 1, 3, 10 steps are available. These filters are implemented as 4-circuit LC filters in the range from 300 kHz to 10 MHz and as digital filters with analog characteristic in the range of 10 Hz to 100 kHz.

In addition, the EMI bandwidths 200 Hz, 9 kHz and 120 kHz are available (6 dB bandwidths each). These bandwidths can only be obtained by entering numeric values and not with the commands INCRement and DECRement.

FFT filters from 1 Hz to 30 kHz (3 dB bandwidth each) are also available in the frequency domain (span > 0) for fast measurements on periodic signals. The instrument automatically switches to analog filters above 30 kHz.

A number of especially steep-edged channel filters can be selected from firmware version 1.10 or higher provided that parameters CFILter or RRC are selected using the BAND:TYPE command. The possible combinations of filter type and filter bandwidth are listed in the table "List of available channel filters" of chapter 4, section "Setting Bandwidths and Sweep Time— Key BW".

If the resolution bandwidth is modified in SPECTRUM mode, the coupling to the span is automatically switched off.

If the resolution bandwidth is modified in FM DEMOD mode, the coupling to the demodulation bandwidth is automatically switched off.

Note: This command is not available for GSM MS measurements modulation accuracy (MAC), phase/frequency error (PFE) and power versus time (PVT). During these measurements the bandwidth is selected due to GSM standard.

Example: "BAND 1MHz" 'Sets the resolution bandwidth to 1 MHz

Characteristics: *RST value: - (AUTO is set to ON)
SCPI: conforming

Mode: all

[SENSe<1|2>:]BANDwidth|BWIDTH[:RESolution]:AUTO ON | OFF

In SPECTRUM mode, this command either automatically couples the resolution bandwidth of the instrument to the span or cancels the coupling. In FM DEMOD mode, this command either automatically couples the IF bandwidth of the instrument to the demodulation bandwidth or cancels the coupling ($BW_{RBW} = 10 * BW_{Demod}$).

In FM DEMOD mode, the coupling refers to the demodulation bandwidth ($BW_{RBW} = 10 * BW_{Demod}$).

The automatic coupling adapts the resolution bandwidth to the currently set frequency span according to the relationship between frequency span and resolution bandwidth. The 6 dB bandwidths 200 Hz, 9 kHz and 120 kHz and the channel filters available from Version 1.10 are not set by the automatic coupling.

The ratio resolution bandwidth/span can be modified with the command
[SENSe<1|2>:]BANDwidth[:RESolution]:RATio.

Note: This command is not available for GSM MS measurements modulation accuracy (MAC), phase/frequency error (PFE) and power versus time (PVT).

Example: "BAND:AUTO OFF" 'Switches off the coupling of the resolution bandwidth to the span (analyzer mode).
'Switches off the coupling of the IF bandwidth to the demodulation bandwidth (FM demod mode)

Characteristics: *RST value: ON
SCPI: conforming

Mode: A-F, FM

[SENSe<1|2>:]BANDwidth|BWIDTH[:RESolution]:RATio 0.0001 to 1

This command defines the ratio resolution bandwidth (Hz) / span (Hz). The ratio to be entered is reciprocal to the ratio span/RBW used in manual control.

Example: "BAND:RAT 0.1"

Characteristics: *RST value: 0.02 with BAND:TYPE NORMal or RBW > 30 kHz
0.01 with BAND:TYPE FFT for RBW ≤ 30 kHz
SCPI: conforming

Mode: A, MS

[SENSe<1|2>:]BANDwidth|BWIDth[:RESolution]:TYPE NORMal | FFT | CFILter | RRC

This command switches the filter type for the resolution bandwidth between "normal" analog or FIR filters in 1, 3, 10 steps and the FFT filtering for bandwidths <100 kHz.

The advantage of FFT filtering is the higher measurement speed compared to digital filters with analog filter characteristic. However, FFT filters are only suitable for periodic signals, and they are only available for span > 0 Hz.

From firmware version 1.10 onwards, steep-edged channel filters and filters with RRC (Root Raised Cosine) characteristic are available. The possible combinations of filter type and filter bandwidth are listed in the table "List of available channel filters" in chapter 4, section "Setting Bandwidths and Sweep Time— Key BW".

Notes: - When changing the filter type, the next larger filter bandwidth is selected if the same filter bandwidth is not available for the new filter type.

- This command is not available for GSM MS measurements modulation accuracy (MAC), phase/frequency error (PFE), power versus time (PVT) and carrier power (CPW).

Example: "BAND:TYPE NORM"

Characteristics: *RST value: NORMal
SCPI: device-specific

Mode: all

[SENSe<1|2>:]BANDwidth|BWIDth:VIDeo 1Hz to 10MHz

This command defines the instrument's video bandwidth. Bandwidths from 10 Hz to 10 MHz in 1, 3, 10 steps are available. The command is not available if FFT filtering is switched on and the set bandwidth is ≤ 30 kHz or if the quasi-peak detector is switched on.

Note: This command is not available for GSM MS measurements modulation accuracy (MAC), phase/frequency error (PFE) and power versus time (PVT).

Example: "BAND:VID 10kHz"

Characteristics: *RST value: - (AUTO is set to ON)
SCPI: conforming

Mode: A, MS

[SENSe<1|2>:]BANDwidth|BWIDth:VIDeo:AUTO ON | OFF

This command either automatically couples the instrument's video bandwidth to the resolution bandwidth or cancels the coupling.

The ratio video bandwidth/resolution bandwidth can be modified with the command [SENSe<1|2>:]BANDwidth:VIDeo:RATio.

Note: This command is not available for GSM MS measurements modulation accuracy (MAC), phase/frequency error (PFE) and power versus time (PVT).

Example: "BAND:VID:AUTO OFF"

Characteristics: *RST value: ON
SCPI: conforming

Mode: A, MS

[SENSe<1|2>:]BANDwidth|BWIDth:VIDeo:RATio 0.01 to 1000

This command defines the ratio video bandwidth (Hz) / resolution bandwidth (Hz). The ratio to be entered is reciprocal to the ratio RBW/VBW used in manual control.

Note: *This command is not available for GSM MS measurements modulation accuracy (MAC), phase/frequency error (PFE) and power versus time (PVT).*

Example: "BAND:VID:RAT 3" 'Sets the coupling of video bandwidth to video
'bandwidth = 3*resolution bandwidth

Characteristics: *RST value: 3
SCPI: conforming

Mode: A, MS

[SENSe<1|2>:]BANDwidth|BWIDth:VIDeo:TYPE LINear | LOGarithmic

This command selects the position of the video filter in the signal path, provided that the resolution bandwidth is ≤ 100 kHz:

- If LINear is selected, the video filter is connected ahead of the logarithmic amplifier (default)
- If LOGarithmic is selected, the video filter follows the logarithmic amplifier

The essential difference between the two modes is the transient response at falling signal edges: If LINear is selected, the measurement with logarithmic level scaling yields a much "flatter" falling edge than LOGarithmic.

This behaviour is due to the conversion of linear power into logarithmic level. If the linear power is halved, the level decreases by only 3 dB.

Example: "BAND:VID:TYPE LIN" 'Video filter ahead of the logarithmic amplifier

Characteristics: *RST value: LIN
SCPI: device-specific

Mode: A

This command is available from firmware version 1.40 or higher.

[SENSe<1|2>:]BANDwidth|BWIDth:DEMod <numeric-value>

This command defines the demodulation bandwidth of the instrument for analog demodulation. The required sampling rate is automatically set depending on the selected demodulation bandwidth. The available demodulation bandwidths are determined by the existing sampling rates.

rounded demodulation bandwidth	Sampling rate
10 MHz	32 MHz
8 MHz	16 MHz
5 MHz	8 MHz
3 MHz	4 MHz
1.6 MHz	2 MHz
800 kHz	1 MHz
400 kHz	500 kHz
200 kHz	250 kHz
100 kHz	125 kHz
50 kHz	62.5 kHz
25 kHz	31.25 kHz
12.5 kHz	15.625 kHz

Example: "ADEM:BAND:DEMod 1MHz" 'Sets demodulation bandwidth to 1 MHz.

Characteristics: *RST value: 5 MHz
SCPI: device specific

Mode: FM

This command is only available with option FS-K7 (FM Demodulator).

SENSe:CDPower Subsystem

This subsystem controls the parameters for the Code Domain Power measurement in operating mode WCDMA FDD BTS and MS (FS-K72/K73). The suffix in SENSe<1|2> is not significant in this subsystem and will be ignored.

Command	Parameter	Unit	Comment
[SENSe<1 2>] :CDPower			option FS-K72 or FS-K73
:PRESet			
:MPEriod	1 2 4 8 12 16 20 24	--	
:AUTO	<Boolean>	--	
:PNOFset	<numeric_value>		
:ICTReshold	<numeric_value>	DB	
:SBANd	NORMal INVerse		option FS-K73 only
:LEVel			
:ADJust			
:LCODE			option FS-K73 only
[:VALue]	<hex>	--	
:TYPE	LONG SHORt	--	
:CODE	<numeric_value>	--	
:SLOT	<numeric_value>	--	
:MAPPing	I Q	--	option FS-K72 only
:SFACtor	4 8 16 32 64 128 256 512	--	option FS-K72 only
:NORMalize	<Boolean>	--	
:QINVert	<Boolean>	--	
:PREFERENCE	TOTal CPICh	--	
:STYPE	CPICh SCHannel	--	
:ANTenna	OFF <numeric_value>	--	

[SENSe<1|2>]:CDPower:PRESet

This command is for CDP presetting.

Inactive Channel Threshold -23 dB
 Limits set to standard
 Result display 3G FDD

Example: " :CDP:PRESet "

Characteristics: *RST value: -
 SCPI: device-specific

Mode: 3G FDD

This command is an <Event> and therefore has no *RST value and no query.

[SENSe<1|2>]:CDPower:MPERiod 1 | 2 | 4 | 8 | 12 | 16 | 20 | 24

This command sets the demodulation length in number of chips. The automatic determination of the demodulation length is switched off at the same time.

Example: " :CDP:MPER 16 " "Sets demodulation length 16 chips

Characteristics: *RST value: 8
 SCPI: device-specific

Mode: 3G FDD

[SENSe<1|2>:]CDPower:MPERiod:AUTO ON | OFF

This command activates (ON) the automatic determination of the optimum demodulation length. The demodulator calculates the signal/noise ratio of the WCDMA signal, and automatically selects a suitable setting.

Example: ":CDP:MPER:AUTO ON" 'Switches on the automatic determination of the demodulation length

Characteristics: *RST value: ON
SCPI: device-specific

Mode: 3G FDD

[SENSe<1|2>:]CDPower:PNOffset <numeric_value>

This command sets the nominal offset value of the base station (in chips).

Example: ":CDP:PNOF 5" 'Sets the PN offset to 5 chips

Characteristics: *RST value: 0
SCPI: device-specific

Mode: 3G FDD

[SENSe<1|2>:]CDPower:ICTReshold -50 to 10dB

This command sets the threshold value in the Code Domain Power diagram from which a channel is treated as active. The level entered refers to the total signal power.

Example: ":CDP:ICTR -10DB" 'Sets the threshold value to -10 dB

Characteristics: *RST value: -20dB (FS-K72)
SCPI: device-specific

Mode: 3G FDD

[SENSe<1|2>:]CDPower:SBANd NORMal | INVerse

This command is for interchanging the left and the right sideband.

Example: ":CDP:SBAN INV" 'Interchanges the sidebands

Characteristics: *RST value: NORM
SCPI: device-specific

Mode: 3G FDD

[SENSe<1|2>:]CDPower:LEVel:ADJust

This command is used for setting automatically the RF attenuation and IF gain to the level of the applied signal. The instrument is to be switched to the *ATTEN MANUAL* mode so as to set the RF attenuation and IF gain separately to optimum values. This mode is maintained after changing from code-domain power measurements to the analyzer or vector analyzer modes.

Example: ":CDP:LEV:ADJ" 'Automatically sets the level

Characteristics: *RST value: -
SCPI: device-specific

Mode: 3G FDD

This command is an <Event> and therefore has no *RST value and no query.

[SENSe<1|2>:]CDPower:LCODE[:VALue] <hex>

This command sets the long code (scrambling code) in hexadecimal format.

Example: " :CDP:LCOD #H3B " 'Sets the long code to 3B Hex

Characteristics: *RST value: 0
SCPI: device-specific

Mode: 3G FDD

[SENSe<1|2>:]CDPower:LCODE:TYPE LONG | SHORT

This command switches the scrambling code between long and short.

Example: " :CDP:LCOD:TYPE SHOR " 'Switches to short scrambling code

Characteristics: *RST value: LONG
SCPI: device-specific

Mode: 3G FDD MS

[SENSe<1|2>:]CDPower:CODE 0 to 511

This command sets the code number. The code number refers to code class 9. .

Example: " :CDP:CODE 30 " 'Selects code number 30

Characteristics: *RST value: 0
SCPI: device-specific

Mode: 3G FDD

[SENSe<1|2>:]CDPower:SLOT 0 to 14

This command sets the slot number.

Example: " :CDP:SLOT 3 " 'Selects slot number 3

Characteristics: *RST value: 0
SCPI: device-specific

Mode: 3G FDD

[SENSe<1|2>:]CDPower:MAPPING I | Q

This command defines the mapping of the CDP signal.

Example: " :SENS:CDP:MAPP I " 'Selects I-mapping

Characteristics: *RST value: Q
SCPI: device-specific

Mode: 3G FDD MS

[SENSe<1|2>:]CDPower:SFACTOR 4 | 8 | 16 | 32 | 64 | 128 | 256 | 512

This command defines the spreading factor.

Note:

Setting 512 is not possible for mobile station tests (FS-K73).

Example: " :CDP:SFACTOR 16 " 'Selects spreading factor 16

Characteristics: *RST value: 512 (FS-K72)
*RST value: 256 (FS-K73)
SCPI: device-specific

Mode: 3G FDD

[SENSe<1|2>:]CDPower:NORMALIZE ON | OFF

This command switches normalization of the unit circle with the IQ offset on or off.

Example: " :CDP:NORM OFF " 'Switches normalization off

Characteristics: *RST value: OFF
SCPI: device-specific

Mode: 3G FDD

[SENSe<1|2>:]CDPower:QINVERT ON | OFF

This command inverts the Q component of the signal.

Example: " :CDP:QINV ON " 'Switches on inversion of Q component

Characteristics: *RST value: OFF
SCPI: device-specific

Mode: 3G FDD

[SENSe<1|2>:]CDPower:PREFERENCE TOTAL | CPICH

This command switches between the use of total power or CPICH power as reference for the relative CDP measurement values.

Example: " :CDP:PREF CPICH " 'Selects CPICH as reference for the relative CDP measurement values

Characteristics: *RST value: TOTAL
SCPI: device-specific

Mode: 3G FDD BTS

:[SENSe<1|2>:]CDPower:STYPE CPICH | SCHannel

This command selects the type of synchronization. With CPICH, the CPICH is used for synchronization and must, therefore, be contained in the signal. With SCH, synchronization is carried out without using the CPICH (necessary for test model 4 without CPICH).

Example: " :CDP:STYP SCH " 'Synchronization without CPICH

Characteristics: *RST value: CPICH
SCPI: device-specific

Mode: 3G FDD

:[SENSe<1|2>:]CDPower:ANTenna OFF | <numeric_value>

This command enables or disables antenna diversity and selects the antenna to be used. With OFF, the FS-K72 assumes that antenna diversity is not enabled. With 1/2, the special characteristics of the signals of antenna 1 or 2 are taken into account.

Example: ":CDP:ANT 1" 'The characteristics of antenna 1 are taken into account

Characteristics: *RST value: OFF
 SCPI: device-specific

Mode: 3G FDD BTS

SENSe:CORRection Subsystem

This subsystem controls calibration and normalization during operation with the tracking generator options (B9/B10). The measurement windows are selected by SENSE1 (screen A) and SENSE2 (screen B).

Note: The commands of this subsystem are not available during GSM measurements.

COMMAND	PARAMETERS	UNIT	COMMENT
[SENSe<1 2>] :CORRection			Ttracking generator option
:MEtHod	TRANsmission REFLexion		
:COLLect			
[:ACQuire]	THRough OPEN		no query
[:STATe]	<Boolean>		
:RECall			no query
:TRANsducer			
:SELect	<name>		
:UNIT	<string>		
:SCALing	LINear LOGarithmic		
:COMMeNt	<string>		
:DATA	<freq> , <level> ..	HZ , --	
[:STATe]	<Boolean>		
:DELete	--	--	no query
:VIEW	<Boolean>		

[SENSe<1|2>:]CORRection[:STATe] ON | OFF

This command activates/deactivates the normalization of the measurement results in the selected window provided that the tracking generator is active. The command is available only after acquisition of a reference trace for the selected type of measurement (transmission/reflection, see command [SENSe<1|2>:]CORRection:COLLect[:ACQuire]).

Example: "CORR ON " 'Activates normalization in screen A.

Characteristics: *RST value: OFF
SCPI: conforming

Mode: A

This command is only valid in conjunction with the tracking generator / ext. generator control option (B9/B10).

[SENSe<1|2>:]CORRection:MEtHod TRANsmission | REFLexion

This command selects the type of measurement with active tracking generator (transmission/reflection).

Example: "CORR:MEtH TRAN " 'Sets the type of measurement in screen A to "transmission".

Characteristics: *RST value: TRANsmission
SCPI: device specific

Mode: A

This command is only valid in conjunction with the tracking generator / ext. generator control option (B9/B10).

[SENSe<1|2>:]CORRection:COLLect[:ACQuire] THROugh | OPEN

When the tracking generator is active, this command determines the type of result acquisition for the normalization reference measurement and starts the measurement selected:

THROugh "TRANsmission" mode: calibration with direct connection between tracking generator and device input.

"REFLection" mode: calibration with short circuit at the input

OPEN only valid in "REFLection" mode: calibration with open input

To obtain a valid reference measurement, a complete sweep with synchronization to the end of the sweep must have been carried out. This is only possible in the single sweep mode.

Example: "INIT:CONT OFF" 'Selects single sweep operation
 "CORR:COLL THR;*WAI" 'Starts the measurement of reference data using
 'direct connection between generator and device
 'input and waits for the sweep end.

Characteristics: *RST value: --
 SCPI: conforming

Mode: A

This command is an "event" and therefore has no *RST value and no query.
 It is only valid in conjunction with the tracking generator/external generator option (B9/B10).

[SENSe<1|2>:]CORRection:RECall

This command restores the instrument setting that was valid for the measurement of the reference data, provided that the tracking generator is active.

Example: "CORR:REC"

Characteristics: *RST value: -
 SCPI: conforming

Mode: A

This command is an event and therefore has no *RST value and no query.
 This command is only valid in conjunction with the tracking generator / ext. generator control option (B9/B10).

[SENSe<1|2>:]CORRection:TRANsducer:SELEct <name>

This command selects the transducer factor designated by <name>. If <name> does not exist yet, a new transducer factor is created.

Notes:

This command must be sent prior to the subsequent commands for modifying/activating transducer factors.

Parameter: <name>::= Name of the transducer factor in string data form with a maximum of 8 characters.

Example: ":CORR:TRAN:SEL 'FACTOR1'"

Characteristics: *RST value: -
 SCPI: device-specific

Modes: A

This command is available from firmware version 1.40 or higher.

[SENSe<1|2>:]CORRection:TRANsducer:UNIT <string>

This command defines the unit of the transducer factor selected.

Note:

Prior to this command, the command *SENS:CORR:TRAN:SEL* must be sent.

Parameter: <string>::= 'DB' | 'DBM' | 'DBMV' | 'DBUV' | 'DBUV/M' | 'DBUA' | 'DBUA/M' | 'DBPW' | 'DBPT'

Example: ":CORR:TRAN:UNIT 'DBUV'"

Characteristics: *RST value: 'DB'
SCPI: device-specific

Modes: A

This command is available from firmware version 1.40 or higher.

[SENSe<1|2>:]CORRection:TRANsducer:SCALing LINear | LOGarithmic

This command defines whether the frequency scaling of the transducer factor is linear or logarithmic.

Note:

Prior to this command, the command *SENS:CORR:TRAN:SEL* must be sent.

Example: ":CORR:TRAN:SCAL LOG"

Characteristics: *RST value: LINear
SCPI: device-specific

Modes: A

This command is available from firmware version 1.40 or higher.

[SENSe<1|2>:]CORRection:TRANsducer:COMMeNT <string>

This command defines the comment for the selected transducer factor.

Note:

Prior to this command, the command *SENS:CORR:TRAN:SEL* must be sent.

Example: ":CORR:TRAN:COMM 'FACTOR FOR ANTENNA'"

Characteristics: *RST value: "" (empty comment)
SCPI: device specific

Modes: A

This command is available from firmware version 1.40 or higher.

[SENSe<1|2>:]CORRection:TRANsducer:DATA <freq>,<level>..

This command defines the reference values of the transducer factor selected. These values are entered as a sequence of frequency/level pairs. The frequencies must be sent in ascending order.

Note:

Prior to this command, the command `SENS:CORR:TRAN:SEL` must be sent. The level values are sent as dimensionless numbers; the unit is specified by means of the command `SENS:CORR:TRAN:UNIT`.

Example: ":CORR:TRAN:TRANsducer:DATA 1MHZ,-30,2MHZ,-40"

Characteristics: *RST value: -
SCPI: device-specific

Modes: A

This command is available from firmware version 1.40 or higher.

[SENSe<1|2>:]CORRection:TRANsducer[:STATe] ON | OFF

This command switches the selected transducer factor on or off.

Note:

Prior to this command, the command `SENS:CORR:TRAN:SEL` must be sent.

Example: ":CORR:TRAN ON"

Characteristics: *RST value: OFF
SCPI: device-specific

Modes: A

This command is available from firmware version 1.40 or higher.

[SENSe<1|2>:]CORRection:TRANsducer:DELeTe

This command deletes the selected transducer factor.

Note:

Prior to this command, the command `SENS:CORR:TRAN:SEL` must be sent.

Example: ":CORR:TRAN:DEL"

Characteristics: *RST value: -
SCPI: device-specific

Modes: A

This command is an event and therefore has no *RST value.

This command is available from firmware version 1.40 or higher.

:[SENSe<1|2>:]CORRection:TRANsducer:VIEW ON | OFF

This command switches on the display of the active transducer factor or set.

Note:

Prior to this command, the command `SENS:CORR:TRAN:SEL` must be sent.

Example: " :CORR:TRAN:VIEW ON"

Characteristics: *RST value: OFF
SCPI: device-specific

Mode: A

This command is available from firmware version 1.40 or higher.

SENSe:DETECTOR Subsystem

The SENSe:DETECTOR subsystem controls the acquisition of measurement data via the selection of the detector for the corresponding trace. The measurement windows are selected by SENSE1 (screen A) and SENSE2 (screen B).

COMMAND	PARAMETERS	UNIT	COMMENT
[SENSe<1 2>] :DETECTOR<1..3> [:FUNCTION] :AUTO	APEak NEGative POSitive SAMPlE RMS AVERAge QPEak <Boolean> POSitive NEGative RMS AVERAge QPEak	--	

[SENSe<1|2>]:DETECTOR<1..3>[:FUNCTION] APEak | NEGative | POSitive | SAMPlE | RMS | AVERAge | QPEak

This command switches on the detector for the data acquisition in the selected trace and the indicated measurement window.

- The APEak detector (AutoPeak) displays the positive and also the negative peak value of the noise floor. If a signal is detected, only the positive peak value is displayed.
- The POSitive or NEGative detector only displays the positive or the negative peak value.
- With the SAMPlE detector the value measured at the sampling time is displayed, whereas the RMS value of the power measured at each test point is displayed with the RMS detector.
- The AVERAge detector displays the power average value at each test point.
- The QPEak detector performs a signal evaluation for EMC measurements.

If QPEak is selected, the video filter is automatically switched off. The couplings between span and RBW as well as between RBW and sweep time are also switched off and restored on selecting another detector. A long sweep time should be selected so that the quasi-peak detector can fully settle at each test point.

The trace is indicated as numeric suffix in DETECTOR.

Note: APEak and QPEak are not available during GSM measurements modulation accuracy (MAC), phase-frequency error (PFE) and power vs. time (PVT).

Example: "DET POS" 'Sets the detector in screen A to "positive peak".

Characteristics: *RST value: APEak
SCPI: conforming

Mode: A, MS

[SENSe<1|2>]:DETECTOR<1 to 3>[:FUNCTION]:AUTO ON | OFF

This command either couples the detector in the selected measurement window to the current trace setting or turns coupling off. The trace is selected by the numeric suffix at DETECTOR.

Example: "DET:AUTO OFF"

Characteristics: *RST value: ON
SCPI: conforming

Mode: A, MS

SENSe:FREQuency Subsystem

The SENSe:FREQuency subsystem defines the frequency axis of the active display. The frequency axis can either be defined via the start/stop frequency or via the center frequency and span. The measurement windows are selected by SENSe1 (screen A) and SENSe2 (screen B).

COMMAND	PARAMETERS	UNIT	COMMENT
[SENSe<1 2>] :FREQuency			
:CENTer	<numeric_value>	HZ	
:STEP	<numeric_value>	HZ	
:LINK	SPAN RBW OFF	--	
:FACTor	<numeric_value>	PCT	
:SPAN	<numeric_value>	HZ	
:FULL	--	--	
:START	<numeric_value>	HZ	
:STOP	<numeric_value>	HZ	
:MODE	CW FIXed SWEep		
:OFFSet	<numeric_value>	HZ	

[SENSe<1|2>]:FREQuency:CENTer 0 to f_{\max}

This command defines the center frequency of the analyzer or the measuring frequency for span = 0.

Example: "FREQ:CENT 100MHz"

Characteristics: *RST value: $f_{\max}/2$ with f_{\max} = maximum frequency
SCPI: conforming

Mode: all

[SENSe<1|2>]:FREQuency:CENTer:STEP 0 to f_{\max}

This command defines the step width of the center frequency.

Example: "FREQ:CENT:STEP 120MHz"

Characteristics: *RST value: - (AUTO 0.1 × SPAN is switched on)
SCPI: conforming

Mode: all

[SENSe<1|2>]:FREQuency:CENTer:STEP:LINK SPAN | RBW | OFF

This command couples the step width of the center frequency to span (span > 0) or to the resolution bandwidth (span = 0) or cancels the couplings.

Parameters:

SPAN = Coupling to frequency display range (for span > 0)

RBW = Coupling to resolution bandwidth (for span = 0)

OFF = manual input, no coupling.

Note: This command is not available for GSM MS measurements modulation accuracy (MAC), phase/frequency error (PFE) and power versus time (PVT).

Example: "FREQ:CENT:STEP:LINK SPAN"

Characteristics: *RST value: SPAN
SCPI: device-specific

Mode: A, MS

[SENSe<1|2>:]FREQUENCY:CENTer:STEP:LINK:FACTor 1 to 100 PCT

This command couples the step width of the center frequency with a factor to the span (span >0) or to the resolution bandwidth (span = 0).

Note: This command is not available for GSM MS measurements modulation accuracy (MAC), phase/frequency error (PFE) and power versus time (PVT).

Example: "FREQ:CENT:STEP:LINK:FACT 20PCT"

Characteristics: *RST value: - (AUTO 0.1 × SPAN is switched on)
SCPI: device-specific

Mode: A, MS

[SENSe<1|2>:]FREQUENCY:SPAN 0 to f_{\max}

This command defines the frequency span in the analyzer mode.

Note: This command is not available for GSM MS measurements modulation accuracy (MAC), phase/frequency error (PFE) and power versus time (PVT).

Example: "FREQ:SPAN 10MHz"

Characteristics: *RST value: f_{\max} with f_{\max} = maximum frequency
SCPI: conforming

Mode: A, MS

[SENSe<1|2>:]FREQUENCY:SPAN:FULL

This command sets the frequency span in the analyzer mode to its maximum.

Note: This command is not available for GSM MS measurements modulation accuracy (MAC), phase/frequency error (PFE), power versus time (PVT) and carrier power (CPW).

Example: "FREQ:SPAN:FULL"

Characteristics: *RST value: -
SCPI: conforming

Mode: A, MS

[SENSe<1|2>:]FREQUENCY:STARt 0 to f_{\max}

This command defines the start frequency of the analyzer. This command is only available in the frequency domain (span >0).

Note: This command is not available for GSM MS measurements modulation accuracy (MAC), phase/frequency error (PFE), power versus time (PVT) and carrier power (CPW).

Example: "FREQ:STAR 20MHz"

Characteristics: *RST value: 0
SCPI: conforming

Mode: A-F, MS

[SENSe<1|2>]:FREQUENCY:STOP 0 to f_{\max}

This command defines the stop frequency of the analyzer. This command is only available in the frequency domain (span >0).

Note: This command is not available for GSM MS measurements modulation accuracy (MAC), phase/frequency error (PFE), power versus time (PVT) and carrier power (CPW).

Example: "FREQ:STOP 2000MHz"

Characteristics: *RST value: f_{\max}
SCPI: conforming

Mode: A-F, MS

[SENSe<1|2>]:FREQUENCY:MODE CW | FIXed | SWEep

This command switches between frequency domain (SWEep) and time domain (CW | FIXed) in the analyzer mode.

For CW and FIXed, the frequency setting is via command FREQUENCY:CENTer. In the SWEep mode, the setting is via commands FREQUENCY:START, STOP, CENTer and SPAN.

Note: This command is not available for GSM MS measurements modulation accuracy (MAC), phase/frequency error (PFE), power versus time (PVT), carrier power (CPW) and spurious (SPU).

Example: "FREQ:MODE SWE"

Characteristics: *RST value: SWEep
SCPI: conforming

Mode: A, MS

[SENSe<1|2>]:FREQUENCY:OFFSet <numeric_value>

This command defines the frequency offset of the instrument.

Example: "FREQ:OFFS 1GHZ"

Characteristics: *RST value: 0 Hz
SCPI: conforming

Mode: A, MS, FM

SENSe:LIST Subsystem

The commands of this subsystem are used for measuring the power at a list of frequency points with different device settings. The measurement is always performed in the time domain (span = 0 Hz).

A new trigger event is required for each test point (exception: Trigger FREE RUN).

The results are output as a list in the order of the entered frequency points. The number of results per test point depends on the number of concurrently active measurements (peak/RMS/average).

Selection of concurrently active measurements and setting of parameters that are constant for the whole measurement is via a configuration command (SENSe:LIST:POWer:SET). This also includes the setting for trigger and gate parameters.

The following setting parameters can be selected independently for each frequency point:

- Analyzer frequency
- Reference level
- RF attenuation of attenuator (only with option B25)
- Resolution filter
- Resolution bandwidth
- Video bandwidth
- Measurement time
- Detector

The number of frequencies is limited to 100 entries.

The commands of this subsystem can be used in two different ways:

1. Instrument setup, measurement and querying of the results in a single command:
With this method, there is the least delay between the measurement and the result output. However, it requires the control computer to wait for the response from the instrument.
2. Instrument setup and querying of the result list at the end of the measurement:
With this method, the control computer may be used for other activities while the measurement is being performed. However, more time is needed for synchronization via service request.

Note: *Settings that are not directly included in commands of this subsystem can be configured by sending the corresponding commands prior to the SENSe:LIST-commands.*

Please note that changes to the trigger level have to be executed in time domain (span = 0 Hz) in order to take effect for the SENSe:LIST-commands.

The commands of this subsystem are not available for GSM MS measurements modulation accuracy (MAC), phase/frequency error (PFE) and power versus time (PVT).

COMMAND	PARAMETER	UNIT	COMMENT
[SENSe<1 2>] :LIST :POWer :RESult? [:SEQuence]	<numeric_value>, <numeric_value>, <numeric_value>, <numeric_value> OFF, NORMal CFILter RRC, <numeric_value>, <numeric_value>, <numeric_value>, <numeric_value>	HZ, DBM, DB, DB, --, HZ, HZ, S, PCT DBM	Query only
:SET	<Boolean>, <Boolean>, <Boolean>, IMMediate EXTernal VIDeo IFPower, POSitive NEGative, <numeric_value>, <numeric_value>	--, --, --, --, --, S, S	
:STATe	OFF		

[SENSe<1|2>]:LIST:POWer[:SEQuence] <analyzer freq>,<ref level>,<rf att>,<el att>,<filter type>,<rbw>,<vbw>,<meas time>,<trigger level>,...

This command configures the list of settings (max. 100 entries) for the multiple power measurement and starts a measurement sequence. When synchronizing the command with *OPC, a service request is generated as soon as all frequency points are processed and the defined number of individual measurements is reached.

To reduce the setting time, all indicated parameters are set up simultaneously at each test point. The query form of the command processes the list and immediately returns the list of results. The number of results per test point depends on the setting of the "SENSe:LIST:POWer:SET" command.

Parameter: Note: The following parameters are the settings for an individual frequency point. They are repeated for every other frequency point.

- <analyzer freq>: Receive frequency for the signal to be measured
(= center frequency in manual operation)
Range of values: 0 Hz to max. frequency, depending on the instrument model.
 - <ref level>: Reference level
Range of values: +30 dBm to -70 dBm in 10 dB steps
+30 dBm to -75 dBm in 5 dB steps with El. Attenuator option B25
 - <rf att>: RF input attenuation
Range of values: 0 dB to 70 dB in 10 dB steps
0 dB to 75 dB in 5 dB steps with El. Attenuator Option B25
 - <el att>: RF input attenuation of electronic attenuator
Range of values: 0 dB to 30 dB in 10 dB steps
OFF electronic attenuator not in signal path
- If option B25 is missing, OFF is to be used.

<filter type>:	NORMal:	normal resolution filter
	CFILter:	channel filter. These are especially steep-edged filters, which are used for example in Fast ACP measurement to ensure the band-limiting of a transmission channel in the time domain.
	RRC:	Root Raised Cosine filter. This special filter form is used to determine the channel power for some mobile radio standards.
<rbw>:	Resolution bandwidth	
	Range of values:	10 Hz to 20 MHz, 50 MHz in 1, 2, 3, 5, 10 steps for <filter type> = NORMal. See filter table for <filter type> = CFILter and <filter type> = RRC. Possible combinations of filter type and filter bandwidth see table "List of available channel filters" in section "Setting Bandwidths and Sweep Time – Key BW".
<vbw>:	Video bandwidth	
	Range of values:	1 Hz to 10 MHz in 1, 2, 3, 5, 10 steps. The value is ignored for <filter type> = CFILter or RRC
<meas time>:	Measurement time	
	Range of values:	1us to 30s
<trigger level>:	Reserved. Must be set to 0.	

Returned values:

The query command returns a list of comma-separated values (CSV) which contains the power measurement results in floating-point format. The unit depends on the setting with CALC:UNIT.

Command

```
"SENSe:LIST:POWer? 935.2MHz,-20dBm,10dB,OFF,NORM,1MHz,3MHz,434us,0,
935.4MHz,-20dBm,10dB,10dB,NORM,30kHz,100kHz,434us,0,
935.6MHz,-20dBm,10dB,20dB,NORM,30kHz,100kHz,434us,0"
```

thus returns the following list, for example:

```
-28.3,-30.6,-38.1
```

If the command sequence is extended to

```
"SENSe:LIST:POWer:SET ON,ON,ON,IMM,POS,0,0"
```

```
"SENSe:LIST:POWer? 935.2MHz,-20dBm,10dB,OFF,NORM,1MHz,3MHz,434us,0,
935.4MHz,-20dBm,10dB,10dB,NORM,30kHz,100kHz,434us,0,
935.6MHz,-20dBm,10dB,20dB,NORM,30kHz,100kHz,434us,0"
```

the result list is extended to 3 results per frequency point (peak, RMS and average):

-28.3, -29.6, 1.5, -30.6, -31.9, 0.9, -38.1, -40.0, 2.3

Examples:

```
"SENSe:LIST:POWer 935.2MHz,-20dBm,10dB,OFF,NORM,1MHz,3MHz,434us,0,
935.4MHz,-20dBm,10dB,10dB,CFIL,30kHz,100kHz,434us,0,
935.6MHz,-20dBm,10dB,20dB,CFIL,30kHz,100kHz,434us,0"
```

performs a measurement sequence with the following settings:

Step	Freq. [MHz]	Ref Level	RF Att	el Att	Filter type	RBW	VBW	Meas Time	TRG Level (reserved)
1	935.2	-20 dBm	10 dB	OFF	Normal	1 MHz	3 MHz	434 us	0
2	935.4	-20 dBm	10 dB	10dB	Channel	30 kHz	100 kHz	434 us	0
3	935.6	-20 dBm	10 dB	20dB	Channel	30 kHz	100 kHz	434 us	0

```
"SENSe:LIST:POWer? 935.2MHz,-20dBm,10dB,OFF,NORM,1MHz,3MHz,434us,0,
935.4MHz,-20dBm,10dB,10dB,CFIL,30kHz,100kHz,434us,0,
935.6MHz,-20dBm,10dB,20dB,CFIL,30kHz,100kHz,434us,0"
```

performs the same measurement and returns the result list immediately after the last frequency point.

Notes: - The measurement is performed in the time domain and therefore the span is set to 0 Hz. If the time domain is abandoned, the function is automatically switched off.

- The measurement is not compatible with other measurements, especially as far as marker, adjacent channel power measurement or statistics are concerned. The corresponding commands thus automatically deactivate the function.

- The function is only available in REMOTE operation. It is deactivated when switching the instrument back to LOCAL.

- This command is not available for GSM MS measurements modulation accuracy (MAC), phase/frequency error (PFE) and power versus time (PVT).

Characteristics: *RST value: --
SCPI: device-specific

Mode: A-F, A-T, MS

[SENSe<1|2>:]LIST:POWER:SET <PEAK meas>,<RMS meas>,<AVG meas>,
<trigger mode>,<trigger slope>,<trigger offset>,<gate length>

This command defines the constant settings for the list during multiple power measurement.

Parameters <PEAK meas>, <RMS meas> and <AVG meas> define, which measurements are to be performed at the same time at the frequency point. Correspondingly, one, two or three results per frequency point are returned for the SENS:LIST:POW? command. If all three parameters are set to OFF, the command generates an execution error.

Parameter:

<PEAK meas>:	ON	activates the measurement of the peak power (peak detector).
	OFF	deactivates the measurement of the peak power.
<RMS meas>:	ON	activates the measurement of the RMS power (RMS detector) .
	OFF	deactivates the measurement of the RMS power.
<AVG meas>:	ON	activates the measurement of the average power (average detector).
	OFF	deactivates the measurement of the average power.
<trigger mode>:	Selection of the trigger source used for the list measurement.	
	Possible values: IMMEDIATE VIDEO EXTERNAL IFPOWER	
<trigger slope>:	Used trigger slope.	
	Possible values: POSITIVE NEGATIVE	
<trigger offset>:	Offset between the detection of the trigger signal and the start of the measurement at the next frequency point.	
	Range of values: 0 s, 125 ns to 100s	
<gate length>:	Gate length with Gated Sweep.	
	Range of values: 0 s, 125 ns to 100s	

Note:

- The value 0 s deactivates the use of GATED TRIGGER; other values activate the GATED TRIGGER function.
- Values <> 0 s are only possible if <trigger mode> is different from IMMEDIATE. Otherwise, an execution error is triggered.

Returned values:

The query command returns a list of comma-separated values (CSV) of the settings, i.e.

ON, ON, ON, IMM, POS, 0, 0

if the configuration has been set with the command

"SENSe:LIST:POWER:SET ON, ON, ON, IMM, POS, 0, 0"

Note: This command is not available for GSM MS measurements modulation accuracy (MAC), phase/frequency error (PFE) and power versus time (PVT).

Examples: "SENSe:LIST:POWER:SET ON, OFF, OFF, EXT, POS, 10US, 434US"
"SENSe:LIST:POWER:SET ON, ON, ON, VID, NEG, 10US, 0"

Characteristics: *RST values: ON, OFF, OFF, IMM, POS, 0S, 0S
SCPI: device-specific

Mode: A-F, A-T, MS

[SENSe<1|2>:]LIST:POWer:RESult?

This command queries the result of a previous list measurement as configured and initiated with `SENSe:LIST:POWer[:SEQuence]`. The measured results are output in a list of floating point values separated by commas. The unit of the results depends on the setting made with the `CALC:UNIT` command.

This command may be used to obtain measurement results in an asynchronous way, using the service request mechanism for synchronization with the end of the measurement.

If no measurement results are available, the command will return a query error.

Note: *This command is not available for GSM MS measurements modulation accuracy (MAC), phase/frequency error (PFE) and power versus time (PVT).*

Example:

'Configuration of the status reporting system for the generation of an SRQ on operation complete

*ESE 1

*SRE 32

'Configuring and starting the measurement

```
"SENSe:LIST:POWer      935.2MHz,-20dBm,10dB,OFF,NORM,1MHz,3MHz,434us,0,
                        935.4MHz,-20dBm,10dB,10dB,NORM,30kHz,100kHz,434us,0,
                        935.6MHz,-20dBm,10dB,20dB,NORM,30kHz,100kHz,434us,0;
                        *OPC"
```

'Further actions of the control computer during measurement

...

'Response to service request

On SRQ:

SENSe:LIST:POWer:RESult?

Characteristics: *RST value: --
SCPI: device-specific

Mode: A-F, A-T, MS

[SENSe<1|2>:]LIST:POWer:STATe OFF

This command deactivates the list measurement.

Note: *This command is not available for GSM MS measurements modulation accuracy (MAC), phase/frequency error (PFE) and power versus time (PVT).*

Example: "SENSe:LIST:POWer:STATe OFF"

Characteristics: *RST value: --
SCPI: device-specific

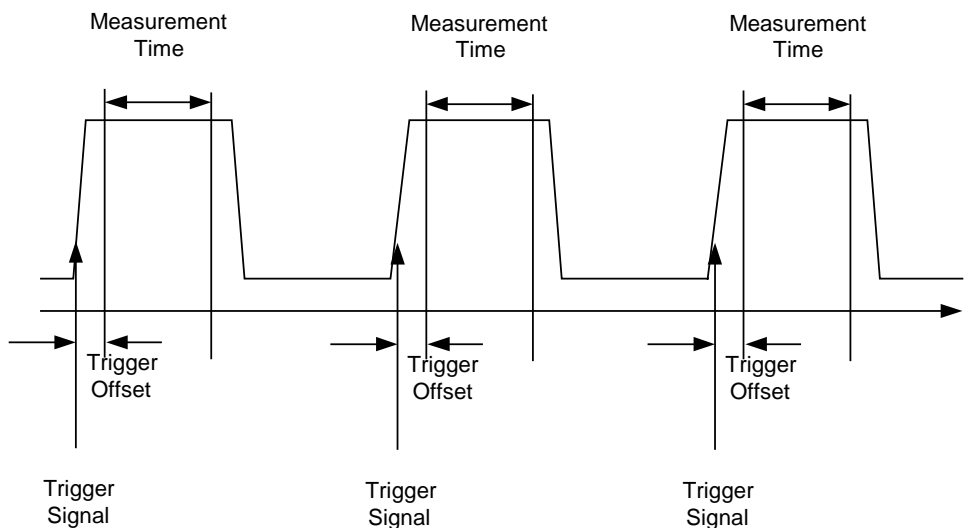
Mode: A-F, A-T, MS

SENSe:MPOWER Subsystem

The commands of this subsystem are used to determine the mean burst power or peak burst power for a given number of signal bursts, and for outputting the results in a list. Since all the settings required for a measurement are combined in a single command, the measurement speed is considerably higher than when using individual commands.

For measuring the signal bursts, the GATED SWEEP function is used in the time domain. The gate is controlled either by an external trigger signal or by the video signal. An individual trigger event is required for each burst to be measured. If an external trigger signal is used, the threshold is fixed to TTL level, while with a video signal the threshold can be set as desired.

The following graphics shows the relation between trigger time, trigger offset (for delayed gate opening) and measurement time.



Depending on the settings made, the measurements are performed with the RMS detector for RMS power or the PEAK detector for peak power. For all these measurements, TRACE 1 of the selected system is used.

The setting parameters for this measurement are:

- analyzer frequency
- resolution bandwidth
- measurement time used for a single burst
- trigger source
- trigger level
- trigger offset
- type of power measurement (PEAK, MEAN)
- number of bursts to be measured

The commands of this subsystem can be used in two different ways:

1. Setting up the instrument and at the same time querying the result list: This method ensures the smallest delay between measurement and the output of the measured values, but requires the control computer to wait actively for the response of the instrument.
2. Setting up the instrument and querying the result list after synchronization to the end of measurement: With this method the control computer can be used for other activities while the instrument is performing the measurement at the cost of additional time needed for synchronization via service request.

COMMAND	PARAMETER	UNIT	COMMENT
[SENSe<1 2>] :MPOWer [:SEQuence] :RESult [:LIST]? :MIN?	<numeric_value>, <numeric_value>, <numeric_value>, EXTernal VIDeo, <numeric_value>, <numeric_value>, MEAN PEAK, <numeric_value>	HZ, HZ, S, --, PCT, S, --, --	Query only Query only

[SENSe<1|2>:]MPOWer[:SEQuence] <analyzer freq>,<rbw>,<meas time>,<trigger source>,<trigger level>,<trigger offset>,<type of meas>,<# of meas>

This command configures the instrument setup for multiple burst power measurement and starts a measurement sequence. When synchronizing the command with *OPC, a service request is generated as soon as the defined number of individual measurements (# of meas) is reached.

To reduce the setting time, the setup is performed simultaneously for all selected parameters.

The command in the form of a query makes the instrument settings, performs the defined number of measurements and outputs the measurement results list.

Parameters:

- <analyzer freq>: Receive frequency for the burst signals to be measured (= center frequency in manual operation)
Range: 0 Hz to max. frequency, depending on instrument model
- <rbw>: resolution bandwidth for the measurement
Range: 10 Hz to 10 MHz in steps of 1, 3, 10
- <meas time>: Time span during which measurement samples are sampled for RMS / peak measurement The type of measurement is selected by <type of meas>.
Range: 1us to 30s
- <trigger source>: trigger signal source. Possible settings:
EXTernal The trigger signal is fed from the "Ext. Trigger/Gate" input on the rear of the unit.
VIDeo The internal video signal is used as trigger signal.
- <trigger level>: Signal level at which the trigger becomes active. For <trigger source> = VIDeo this is the level of the video signal as a percentage of the diagram height. If <trigger source> = EXTernal is selected, the value entered here is ignored, as in this case the trigger input uses TTL levels.
Range: 0 – 100PCT (<trigger source> = VIDeo)
- <trigger offset>: Offset between the detection of the trigger signal and the start of the measurement.
Range: 125 ns to 100s
- <type of meas>: Determines whether mean power (RMS) or peak power (PEAK) is to be measured. The detector is selected accordingly.
Possible values:MEAN, PEAK
- <# of meas>: Number of individual bursts to be measured.

Range: 1 to 501

Note: This command is not available for GSM MS measurements modulation accuracy (MAC), phase/frequency error (PFE) and power versus time (PVT).

Return values:

The query command returns a list separated by commas (comma separated values = CSV), which contains the power measurement results in floating-point format. The unit used for the return values is always dBm.

The command "SENSe:MPOWer? 935.2MHz,1MHz,434us,VIDEO,50PCT,5us,MEAN,20" may, for instance, cause the following list to be returned:

18.3,18.6,18.1,18.0,17.9,18.3,18.6,18.1,18.0,17.9,18.3,18.6,18.1,18.0,17.9,18.3,18.6,18.1,18.0,17.9

Examples:

"SENSe:MPOWer 935.2MHz,1MHz,434us,VIDEO,50PCT,5us,MEAN,20" performs a measurement sequence with the following settings:
 Frequency = 935.2 MHz,
 Resolution bandwidth = 1 MHz
 Measurement time = 434 μ s
 Trigger source = VIDEO
 Trigger threshold = 50%
 Trigger offset = 5 μ s
 Type of measurement = MEAN power
 No. of measurements = 20

"SENSe:MPOWer? 935.2MHz,1MHz,434us,VIDEO,50PCT,5us,MEAN,20" performs the same measurement and in addition returns the results list immediately after completion of the last measurement.

Notes:

The measurement function always uses trace 1 in the selected screen, and activates the selected screen.

Repeated use of the command without changes to its parameters (i.e. using the same settings again) will speed up the measurement since the previous hardware settings will be cached and therefore additional hardware settling times will be avoided. This also holds true if only part of the parameters (e.g. only the trigger delay) are changed, as in this case the rest of the parameters will be cached.

This measurement is not compatible with other measurements, especially as far as marker functions, adjacent-channel measurement or statistics are concerned. The corresponding functions are therefore automatically switched off. In return incompatible commands will automatically deactivate the multi burst power function.

The function is only available in the REMOTE operation. It is deactivated on switching back to LOCAL.

Characteristics: *RST value: --
 SCPI: instrument-specific

Mode: A-F, A-T, MS

SENSe:MPOWer:RESult[:LIST]?

This command queries the results of a multiple burst power measurement as configured and initiated with `SENSe:MPOWer[:SEquence]`. The results are output in a comma-separated list of floating point values. The unit used for the return values is always dBm.

This command may be used to obtain measurement results in an asynchronous way using the service request mechanism for synchronization with the end of the measurement.

If no measurement results are available, the command will return a query error.

Note: *This command is not available for GSM MS measurements modulation accuracy (MAC), phase/frequency error (PFE) and power versus time (PVT).*

Example:

```
*ESE 1           'Configuration of status reporting systems for the
*SRE 32         'generation of an SRQ on operation complete

SENSe:MPOWer
935.2MHz,1MHz,434us,VIDEO,50PCT,5us,MEAN,20;*OPC
           'Configuring and starting the measurement
...       'Further actions of the control computer during
           'measurement
On SRQ:      'Response to service request
SENSe:MPOWer:RESult?
```

Characteristics: *RST value: --
SCPI: instrument-specific

Mode: A-F, A-T, MS

SENSe:MPOWer:RESult:MIN?

This command queries the minimum power value in a multiple burst power measurement as configured and initiated with `SENSe:MPOWer[:SEquence]`. The unit used for the return values is always dBm.

If no measurement result is available, the command will return a query error.

Note: *This command is not available for GSM MS measurements modulation accuracy (MAC), phase/frequency error (PFE) and power versus time (PVT).*

Example:

```
*ESE 1           'Configuration of status reporting systems for the
*SRE 32         'generation of an SRQ on operation complete

SENSe:MPOWer
935.2MHz,1MHz,434us,VIDEO,50PCT,5us,MEAN,20;*OPC
           'Configuring and starting the measurement
...       'Further actions of the control computer during
           'measurement
On SRQ:      'Response to service request
SENSe:MPOWer:RESult:MIN?
```

Characteristics: *RST value: --
SCPI: instrument-specific

Mode: A-F, A-T, MS

[SENSe<1|2>:]POWer:ACHannel:SPACing:ALTErnate<1|2> 100 Hz to 2000 MHz

This command defines the spacing between the first (ALTErnate1) or the second alternate adjacent channel (ALTErnate2) and the TX channel. If the spacing to the alternate adjacent channel ALTErnate1 is modified, the spacing to alternate adjacent channel 2 is set to 1.5 times the entered value.

This command is only available in the frequency domain (span > 0).

Example: "POW:ACH:SPAC:ALT1 100kHz" 'Sets the spacing between TX channel and 'alternate adjacent channel 1 to 100 kHz and 'between TX channel and alternate adjacent 'channel 2 to 150 kHz.

Characteristics: *RST value: 40 kHz (ALT1)
60 kHz (ALT2)
SCPI: device-specific

Mode: A-F

[SENSe<1|2>:]POWer:ACHannel:ACPairs 0 | 1 | 2 | 3

This command sets the number of adjacent channels (upper and lower channel in pairs). The figure 0 stands for pure channel power measurement.

The command is only available in the frequency domain (span > 0).

Example: "POW:ACH:ACP 3" 'Sets the number of adjacent channels to 3, i.e. the 'adjacent channel and alternate adjacent channels 1 and '2 are switched on.

Characteristics: *RST value: 1
SCPI: device-specific

Mode: A-F

[SENSe<1|2>:]POWer:ACHannel:BANDwidth|BWIDth[:CHANnel] 100 Hz to 1000 MHz

This command sets the channel bandwidth of the radio communication system. The bandwidths of adjacent channels are not influenced by this modification (in contrast to the FSE family).

With `SENSe:POW:HSP ON` the steep-edged channel filters from the table "List of available channel filters" in Section "Setting Bandwidths and Sweep Time – Key *BW*" are available.

Example: "POW:ACH:BWID 30kHz" 'Sets the bandwidth of the TX channel to '30 kHz.

Characteristics: *RST value: 14 kHz
SCPI: device-specific

Mode: A-F

[SENSe<1|2>:]POWer:ACHannel:BANDwidth|BWIDth:ACHannel 100 Hz to 1000 MHz

This command defines the channel bandwidth of the adjacent channel of the radio transmission system. If the bandwidth of the adjacent channel is changed, the bandwidths of all alternate adjacent channels are automatically set to the same value.

With `SENSe:POW:HSP` ON the steep-edged channel filters from the table "List of available channel filters" in Section "Setting Bandwidths and Sweep Time – Key *BW*" are available.

Example: "`POW:ACH:BWID:ACH 30kHz`" 'Sets the bandwidth of all adjacent channels to 30 kHz.

Characteristics: *RST value: 14 kHz
SCPI: device-specific

Mode: A-F

[SENSe<1|2>:]POWer:ACHannel:BANDwidth|BWIDth:ALTErnate<1|2> 100 Hz to 1000 MHz

This command defines the channel bandwidth of the first/second alternate adjacent channel of the radio transmission system. If the channel bandwidth of alternate adjacent channel 1 is changed, the bandwidth of alternate adjacent channel 2 is automatically set to the same value.

With `SENSe:POW:HSP` ON the steep-edged channel filters from the table "List of available channel filters" in Section "Setting Bandwidths and Sweep Time – Key *BW*" are available.

Example: "`POW:ACH:BWID:ALT2 30kHz`"

Characteristics: *RST value: 14 kHz
SCPI: device-specific

Mode: A-F

[SENSe<1|2>:]POWer:ACHannel:MODE ABSolute | RELative

This command toggles between absolute and relative adjacent channel measurement.

For the relative measurement the reference value is set to the currently measured channel power by command `SENSe:POWer:ACHannel:REFErence:AUTO ONCE`.

The command is only available in the frequency domain (span > 0).

Example: "`POW:ACH:MODE REL`"

Characteristics: *RST value: ABSolute
SCPI: device-specific

Mode: A-F

[SENSe<1|2>:]POWer:ACHannel:REFerence:AUTO ONCE

This command sets the reference value for the relative measurement to the currently measured channel power.

The command is only available in the frequency domain (span > 0).

Example: "POW:ACH:REF:AUTO ONCE"

Characteristics: *RST value: -
SCPI: device-specific

Mode: A-F

This command is an event and therefore has no *RST value and no query.

[SENSe<1|2>:]POWer:ACHannel:PRESet ACPower | CPOWer | OBANdwidth|OBWidth| CN | CNO

This command adapts the frequency span, the bandwidths and the detector to the number of channels, channel bandwidths and channel spacings of the active power measurement and switches on the adjacent channel power measurement, if required.

To ensure that the results are valid, a complete sweep including synchronization to the sweep end must be performed after the configuration. Synchronization is only possible in single sweep mode.

The results are queried with CALCulate:MARKer:FUNction:POWer:RESult?.

The command is only available in the frequency domain (span > 0).

Example: "POW:ACH:PRESet ACP" 'Sets the frequency range, bandwidths and
'detector suitable for ACP measurement in
'screen A.
"INIT:CONT OFF" 'Switches to single-sweep mode.
"INIT;*WAI" 'Starts a sweep and waits for the end.
"CALC:MARK:FUNC:POW:RES? ACP" 'Queries the result of the adjacent channel
'power measurement.

Characteristics: *RST value: -
SCPI: device-specific

Mode: A-F

[SENSe<1|2>:]POWer:ACHannel:PRESet:RLEVel

This command adapts the reference level to the measured channel power and – if required - switches on previously the adjacent channel power measurement. This ensures that the signal path of the instrument is not overloaded. Since the measurement bandwidth is significantly smaller than the signal bandwidth in channel power measurements, the signal path can be overloaded although the trace is still significantly below the reference level. If the measured channel power equals the reference level, the signal path is not overloaded.

The command is only available in the frequency domain (span > 0).

Note: *Subsequent commands have to be synchronized with *WAI, *OPC or *OPC? to the end of the autorange process which would otherwise be aborted.*

Example: "POW:ACH:PRESet:RLEV;*WAI" 'Adapts the reference level to the measured
'channel power.

Characteristics: *RST value: -
SCPI: device-specific

Mode: A-F

[SENSe<1|2>:]POWer:BAWIDth|BWIDth 10 to 99.9PCT

This command defines the percentage of the power with respect to the total power. This value is the basis for the occupied bandwidth measurement (command: `POWer:ACHannel:PRESet OBW`).

The command is only available in the frequency domain (span > 0).

Example: "POW:BWID 95PCT"

Characteristics: *RST value: 99PCT
SCPI: device-specific

Mode: A-F

[SENSe<1|2>:]POWer:HSPeed ON | OFF

This command switches on or off the high-speed channel/adjacent channel power measurement. The measurement itself is performed in the time domain on the center frequencies of the individual channels. The command automatically switches to the time domain and back.

Depending on the selected mobile radio standard, weighting filters with $\sqrt{\cos}$ characteristic or very steep-sided channel filters are used for band limitation.

The command is only available in the frequency domain (span > 0).

Example: "POW:HSP ON"

Characteristics: *RST value: OFF
SCPI: device-specific

Mode: A-F

[SENSe<1|2>:]POWer:NCORrection ON | OFF

This command switches on or off the correction of the instrument inherent noise for channel power measurement. On activating this function, a reference measurement of the instrument inherent noise is performed. The measured noise power is then subtracted from the power in the examined channel.

The instrument inherent noise is then re-determined after any change of the center frequency, resolution bandwidth, sweep time and level setting by repeating the reference measurement in the new instrument setting.

Example: "POW:NCOR ON"

Characteristics: *RST value: OFF
SCPI: device-specific

Mode: A

This command is available from firmware version 1.40 or higher.

[SENSe<1|2>:]POWer:TRACe 1 to 3

This command assigns the channel/adjacent channel power measurement to the indicated trace in the selected measurement window. The corresponding trace must be active, i.e. its state must be different from blank.

Note: *The measurement of the occupied bandwidth (OBW) is performed on the trace on which marker 1 is positioned. To evaluate another trace, marker 1 must be positioned to another trace with CALCulate:MARKer:TRACe.*

Example: "POW:TRAC 2" 'Assigns the measurement in screen A to trace 2.
"SENS2:POW:TRAC 3" 'Assigns the measurement in screen B to trace 3.

Characteristics: *RST value: -
SCPI: device-specific

Mode: A

SENSe:ROSCillator Subsystem

This subsystem controls the reference oscillator. The numeric suffix in SENSe is irrelevant for the commands of this subsystem.

COMMAND	PARAMETERS	UNIT	COMMENT
[SENSe<1 2>] :ROSCillator :SOURce [:INTernal] :TUNe :SAVe	INTernal EXTernal <numeric_value>	--	no query

[SENSe<1|2>]:ROSCillator:SOURce INTernal | EXTernal

This command controls selection of the reference oscillator.

If the external reference oscillator is selected, the reference signal must be connected to the rear panel of the instrument.

Example: "ROSC:SOUR EXT"

Characteristics: *RST value: –
SCPI: conforming

Mode: all

[SENSe<1|2>]:ROSCillator[:INTernal]:TUNE 0 to 4095

This command defines the value for the tuning of the internal reference oscillator.

The reference oscillator should be tuned only if an error has been detected in the frequency accuracy check. After rebooting the instrument, the factory-set reference frequency or the previously saved reference frequency is restored.

Note: This command is only available at service level 1.

Example: "ROSC:TUN 128"

Characteristics: *RST value: –
SCPI: device-specific

Mode: all

[SENSe<1|2>]:ROSCillator[:INTernal]:TUNE:SAVe

This command saves the new value for the tuning of the internal reference oscillator. The factory-set value in the EEPROM is overwritten.

Note: This command is only available at service level 1.

Example: "ROSC:TUN:SAV"

Characteristics: *RST value: –
SCPI: device-specific

Mode: all

SENSe:SWEep Subsystem

This subsystem controls the sweep parameters. The measurement windows are selected by SENSe1 (screen A) and SENSe2 (screen B).

COMMAND	PARAMETERS	UNIT	COMMENT
[SENSe<1 2>] :SWEep			
:TIME	<numeric_value>	S	
:AUTO	<Boolean>	--	
:COUNT	<numeric_value>	--	
:EGATe	<Boolean>	--	
:TYPE	LEVe EDGE	--	
:POLarity	POSitive NEGative	--	
:HOLDoff	<numeric_value>	S	
:LENGth	<numeric_value>	S	
:SOURce	EXTernal RFPower IFPower		

[SENSe<1|2>]:SWEep:TIME 2,5ms to 16000s (frequency domain) | 1 μ s to 16000s (time domain)

This command defines the sweep time. The available time values are different in the frequency domain (2.5 ms to 16000s with span > 0) and in the time domain (1 μ s to 16000s with span = 0).

If SWEep:TIME is directly programmed, automatic coupling to resolution bandwidth and video bandwidth is switched off.

Note: This command is not available for GSM MS measurements modulation accuracy (MAC), phase/frequency error (PFE), power versus time (PVT) and carrier power (CPW).

Example: "SWE:TIME 10s"

Characteristics: *RST value - (AUTO is set to ON)
SCPI: conforming

Mode: A, MS, FM

[SENSe<1|2>]:SWEep:TIME:AUTO ON | OFF

This command controls the automatic coupling of the sweep time to the frequency span and bandwidth settings.

If SWEep:TIME is directly programmed, automatic coupling is switched off.

Note: This command is not available for GSM MS measurements modulation accuracy (MAC), phase/frequency error (PFE), power versus time (PVT) and carrier power (CPW).

Example: "SWE:TIME:AUTO ON" 'Switches on the coupling to frequency span and bandwidths.

Characteristics: *RST value: ON
SCPI: conforming

Mode: A, MS

[SENSe<1|2>:]SWEEp:COUNT 0 to 32767

This command defines the number of sweeps started with single sweep, which are used for calculating the average or maximum value. In average mode, the value 0 defines a continuous averaging of measurement data over 10 sweeps.

Example:

"SWE:COUN 64"	'Sets the number of sweeps to 64.
"INIT:CONT OFF"	'Switches to single-sweep mode.
"INIT;*WAI"	'Starts a sweep and waits for its end.

Characteristics: *RST value: 0
SCPI: conforming

Mode: A, MS, FM

[SENSe<1|2>:]SWEEp:EGATe ON | OFF

This command switches on/off the sweep control by an external gate signal. If the external gate is selected the trigger source is automatically switched to EXTERNAL as well.

In case of measurement with external gate, the measured values are recorded as long as the gate is opened. There are two possibilities:

1. The gate is edge-triggered ("SWEEp:EGATe:TYPE EDGE"):

After detection of the set gate signal edge, the gate remains open until the gate delay (SWEEp:EGATe:HOLDoff) has expired.
2. The gate is level-triggered ("SWEEp:EGATe:TYPE LEVEL"):

After detection of the gate signal, the gate remains open until the gate signal disappears.

A delay between applying the gate signal and the start of recording measured values can be defined with SWEEp:EGATe:HOLDoff.

During a sweep the gate can be opened and closed several times. The synchronization mechanisms with *OPC, *OPC? and *WAI remain completely unaffected.

The sweep end is detected when the required number of measurement points (501 in analyzer mode) has been recorded.

Note: This command is not available for GSM MS measurements modulation accuracy (MAC), phase/frequency error (PFE), power versus time (PVT), carrier power (CPW), spectrum due to switching (TRA) and spurious emissions (SPU).

Example:

"SWE:EGAT ON"	'Switches on the external gate mode.
"SWE:EGAT:TYPE EDGE"	'Switches on the edge-triggered mode.
"SWE:EGAT:HOLD 100US"	'Sets the gate delay to 100 µs.
"SWE:EGAT:LEN 500US"	'Sets the gate opening time to 500 µs.
"INIT;*WAI"	'Starts a sweep and waits for its end.

Characteristics: *RST value: OFF
SCPI: device-specific

Mode: A, MS

[SENSe<1|2>:]SWEep:EGATe:TYPE LEVEL | EDGE

This command sets the type of triggering (level or edge) by the external gate signal.

The gate opening time cannot be defined with the parameter EGATe:LENGth in case of level triggering. The gate is closed when the gate signal disappears.

Note: This command is not available for GSM MS measurements modulation accuracy (MAC), phase/frequency error (PFE), power versus time (PVT), carrier power (CPW), spectrum due to switching (TRA) and spurious emissions (SPU).

Example: "SWE:EGAT:TYPE EDGE"

Characteristics: *RST value: EDGE
SCPI: device-specific

Mode: A, MS

[SENSe<1|2>:]SWEep:EGATe:POLarity POSitive | NEGative

This command determines the polarity of the external gate signal. The setting is valid both for the edge of an edge-triggered signal and the level of a level-triggered signal.

Note: This command is not available for GSM MS measurements modulation accuracy (MAC), phase/frequency error (PFE), power versus time (PVT), carrier power (CPW), spectrum due to switching (TRA) and spurious emissions (SPU).

Example: "SWE:EGAT:POL POS"

Characteristics: *RST value: POSitive
SCPI: device-specific

Mode: A, MS

[SENSe<1|2>:]SWEep:EGATe:HOLDoff 125 ns to 100 s

This command defines the delay time between the external gate signal and the continuation of the sweep.

Note: This command is not available for GSM MS measurements modulation accuracy (MAC), phase/frequency error (PFE), power versus time (PVT), carrier power (CPW), spectrum due to switching (TRA) and spurious emissions (SPU).

Example: "SWE:EGAT:HOLD 100us"

Characteristics: *RST value: 0s
SCPI: device-specific

Mode: A, MS

[SENSe<1|2>:]SWEep:EGATe:LENGth 0 to 100 s

In case of edge triggering, this command determines the time interval during which the instrument sweeps.

Note: This command is not available for GSM MS measurements modulation accuracy (MAC), phase/frequency error (PFE), power versus time (PVT), carrier power (CPW), spectrum due to switching (TRA) and spurious emissions (SPU).

Example: "SWE:EGAT:LENG 10ms"

Characteristics: *RST value: 0s
SCPI: device-specific

Mode: A, MS

[SENSe<1|2>:]SWEEp:EGATe:SOURce EXTernal | IFPower | RFPower

This command toggles between external gate signal and IF power signal as a signal source for the gate mode. If an IF power signal is used, the gate is opened as soon as a signal at > -20 dBm is detected within the IF path bandwidth (10 MHz).

Notes: Selection RFPower is only available with option FSP-B6 (TV and RF Trigger).

This command is not available for GSM MS measurements modulation accuracy (MAC), phase/frequency error (PFE), power versus time (PVT), carrier power (CPW), spectrum due to switching (TRA) and spurious emissions (SPU).

Example: "SWE:EGAT:SOUR IFP" 'Switches the gate source to IF power.

Characteristics: *RST value: IFPower
SCPI: device-specific

Mode: A

[SENSe<1|2>:]SWEEp:POINts 125 to 8001

This command defines the number of measurement points for one sweep run.

Parameter: SENSe<1|2>]SWEEp:POINts <numeric_value>
<numeric_value>::= 125, 251, 501, 1001, 2001, 4001, 8001

Example: "SWE:POIN 251"

Characteristics: *RST value: 501
SCPI: conforming

Modes: A

SENSe:TV Subsystem

This subsystem controls the TV trigger part of option FSP-B6 (TV and RF trigger). The setup of the individual trigger parameters is included in subsystem *TRIGger*.

COMMAND	PARAMETERS	UNIT	COMMENT
[SENSe<1 2>] :TV [:STATe] :CCVS	<Boolean> INTernal EXTernal	-- --	Option TV and RF Trigger

[SENSe<1|2>:]TV[:STATe]ON | OFF

This command switches triggering on TV signals on or off.

Example: "TV ON"

Characteristics: *RST value: OFF
SCPI: device-specific

Modes: A-T

This command is only available with option FSP-B6 (TV and RF Trigger).

[SENSe<1|2>:]TV:CCVS INTernal | EXTernal

This command selects between an internal and an external CCVS signal as TV demodulator input signal.

Example: " TV:CCVS EXT "

Characteristics: *RST value: INT
SCPI: device-specific

Modes: A-T

This command is only available with option FSP-B6 (TV and RF Trigger).

SOURce Subsystem

The SOURce subsystem controls the output signals of the instrument if the options tracking generator (FSP-B9) or External Generator Control (FSP-B10) are installed. The measurement window is selected by SOURce1 (screen A) and SOURce2 (screen B).

Internal Tracking Generator

COMMAND	PARAMETERS	UNIT	COMMENT
SOURce<1 2> :AM :STATe :DM :STATe :FM :STATe :DEVIation :FREQuency :OFFSet :POWer [:LEVel] [:IMMediate] [:AMPLitude] :OFFSet	<Boolean> <Boolean> <Boolean> <numeric_value> <numeric_value> <numeric_value> <numeric_value>	HZ HZ DBM DB	Tracking generator option

SOURce<1|2>:AM:STATe ON | OFF

This command switches on or off the external amplitude modulation of the tracking generator in the selected measurement window.

External I/Q modulation is switched off, if active. This command is only valid in conjunction with the tracking generator option FSP-B9.

Example: "SOUR:AM:STAT ON " 'Switches on the external amplitude modulation of the tracking generator for screen A.

Characteristics: *RST value: OFF
SCPI: conforming

Modes: all

SOURce<1|2>:DM:STATe ON | OFF

This command switches on or off the external I/Q modulation of the tracking generator in the selected measurement window.

External AM and external FM are switched off, if active. This command is only valid in conjunction with the tracking generator option FSP-B9.

Example: "SOUR2:DM:STAT ON " 'Switches on the external I/Q modulation of the tracking generator for screen B.

Characteristics: *RST- value: OFF
SCPI: conforming

Modes: all

SOURce<1|2>:FM:STATe ON | OFF

This command switches on or off the external frequency modulation of the tracking generator in the selected measurement window.

External I/Q modulation is switched off, if active. This command is only valid in conjunction with the tracking generator option FSP-B9.

Example: "SOUR:FM:STAT ON" 'Switches on the external frequency modulation of the tracking generator for screen A.

Characteristics: *RST value: OFF
SCPI: conforming

Modes: all

SOURce<1|2>:FM:DEVIation 100Hz to 10MHz

This command defines the maximum frequency deviation at 1 V input voltage at the FM input of the tracking generator.

The possible value range is 100 Hz to 10 MHz in steps of one decade.

This command is only available in connection with the Tracking Generator Option FSP-B9.

Example: "SOUR:FM:DEV 1MHz" 'Sets the maximum frequency deviation of the tracking generator for screen A to 1 MHz.

Characteristics: *RST value: 100 Hz
SCPI: conforming

Operating mode: all

SOURce<1|2>:FREQuency:OFFSet -150MHz to 150MHz

This command defines a frequency offset of the tracking generator for the indicated measurement window. Frequency-converting DUTs can be measured with this setting.

The possible value range is -150 MHz to 150 MHz. It should be noted that the terms (start frequency - tracking frequency offset) and (stop frequency - tracking frequency offset) are both > 1 kHz or both < -1 kHz.

External I/Q modulation is switched off, if active. This command is only valid in conjunction with the tracking generator option FSP-B9.

Example: "SOUR:FREQ:OFFS 10MHz" 'Switches on the frequency offset of the tracking generator for screen A to 10 MHz.

Characteristics: *RST value: 0 Hz
SCPI: conforming

Modes: all

SOURce<1|2>:POWer[:LEVel][:IMMediate][:AMPLitude] <numeric_value>

This command defines the output level of the tracking generator in the current measurement window.

This command is only valid in conjunction with the tracking generator option FSP-B9.

Parameter: <numeric value> ::= -30 dBm to 0 dBm. In the external tracking generator mode the limits depend on the type of the generator used.

Example: "SOUR:POW -20dBm" 'Sets the tracking generator level in screen A to -20 dBm.

Characteristics: *RST value: -20 dBm
 SCPI: conforming

Modes: all

SOURce<1|2>:POWer[:LEVel][:IMMediate]:OFFSet -200dB to +200dB

This command defines a level offset for the tracking generator level. Thus, for example, attenuators or amplifiers at the output of the tracking generator can be taken into account for the setting.

This command is only valid in conjunction with the tracking generator option FSP-B9.

Example: "SOUR:POW:OFFS -10dB" 'Sets the level offset of the tracking generator in 'screen A to - 20 dBm.

Characteristics: *RST- value: 0dB
 SCPI: conforming

Modes: all

SOURce:EXTernal Subsystem

The SOURce:EXTernal subsystem controls the operation of the unit with option Ext. Generator Control (B10). The commands are only valid for the selected window, with SOURce1 changing the setting in screen A and SOURce2 the setting in screen B.

The selection of the external generator 1 or 2 is via EXTernal<1|2>.

Note: The commands of the SOURce:EXTernal subsystem assume that the addressed generator was correctly configured with the commands of subsystem SYSTEM:COMMunicate:GPIB:RDEvice:GENerator.

If no external generator is selected, if the IEC bus address is not correct or the generator is not ready for operation, an execution error will be generated.

COMMAND	PARAMETER	UNIT	COMMENT
SOURce<1 2> :EXTernal<1 2> [:STATe]	<Boolean>		Ext. generator option
:FREQuency :OFFSet [:FACTor]	<numeric_value>	HZ	
:NUMerator :DENominator	<numeric_value> <numeric_value>		
:SWEep [:STATe]	<Boolean>		
:POWer [:LEVel]	<numeric_value>	DBM	
:ROSCillator [:SOURce]	INTernal EXTernal		

SOURce<1|2>:EXTernal<1|2>[:STATe] ON | OFF

This command activates or deactivates the external generator selected with SOUR:EXT<1|2>:FREQ:SWE ON in the selected window.

The suffix behind EXTernal is irrelevant for this command.

This command is only available in connection with option Ext. Generator Control B10.

Example:

```
"SYST:COMM:RDEV:GEN1:TYPE 'SMP02'"
'Selects SMP02 as generator 1.

"SYST:COMM:RDEV:GEN1:LINK TTL"
'Selects IECBUS + TTL link as interface.

"SYST:COMM:RDEV:GEN1:ADDR 28"
'Sets the generator address to 28.

"SOUR:EXT1:FREQ:SWE ON"
'Activates the frequency sweep for generator 1.

" SOUR:EXT ON"
'Activates the external generator
```

Characteristics: *RST value: OFF
SCPI: device-specific

Mode: all

SOURce<1|2>:EXTernal<1|2>:FREQUENCY[:FACTor]:DENominator <numeric_value>

This command defines the denominator of the factor with which the analyzer frequency is multiplied in order to obtain the transmit frequency of the selected generator 1 or 2 in the selected window.

Note: Select the multiplication factor in a way that the frequency range of the generator is not exceeded by the following formula

$$F_{Generator} = F_{Analyzer} * \frac{Numerator}{Denominator} + F_{Offset}$$

if applied to the start and stop frequency of the analyzer.

This command is only valid in combination with option Ext. Generator Control B10.

Example: "SOUR:EXT:FREQ:NUM 4"

"SOUR:EXT:FREQ:DEN 3"

'Sets a multiplication factor of 4/3, i.e. the 'transmit frequency of the generator is '4/3 times the analyzer frequency.

Characteristics: *RST value: 1
SCPI: device-specific

Mode: all

SOURce<1|2>:EXTernal<1|2>:FREQUENCY[:FACTor]:NUMerator <numeric_value>

This command defines the numerator of the factor with which the analyzer frequency is multiplied to obtain the transmit frequency of the selected generator 1 or 2 in the selected window.

Note: Select the multiplication factor so that the frequency range of the generator is not exceeded if the following formula

$$F_{Generator} = F_{Analyzer} * \frac{Numerator}{Denominator} + F_{Offset}$$

is applied to the start and stop frequency of the analyzer.

This command is only valid in combination with option Ext. Generator Control B10.

Example: "SOUR:EXT:FREQ:NUM 4"

"SOUR:EXT:FREQ:DEN 3"

'Sets a multiplication factor of 4/3, i.e. the 'transmit frequency of the generator is '4/3 times the analyzer frequency.

Characteristics: *RST value: 1
SCPI: device-specific

Mode: all

SOURce<1|2>:EXTernal<1|2>:FREQUENCY:OFFSet <numeric_value>

This command defines the frequency offset of the selected generator 1 or 2 with reference to the receive frequency in the selected window.

Note: Select the frequency offset of the generator so that the frequency range of the generator is not exceeded with the following formula

$$F_{Generator} = F_{Analyzer} * \frac{Numerator}{Denominator} + F_{Offset}$$

applied to the start and stop frequency of the analyzer.

This command is only valid in combination with option Ext. Generator Control B10.

Example: "SOUR:EXT:FREQ:OFFS 1GHZ" 'Sets a frequency offset of the
'generator transmit frequency
'compared to the analyzer receive
'frequency of 1 GHz.

Characteristics: *RST value: 0 Hz
SCPI: device-specific

Mode: all

SOURce<1|2>:EXTernal<1|2>:FREQUENCY:SWEep[:STATe] ON | OFF

This command activates or deactivates the frequency sweep for generator 1 or 2 in the selected window.

This command is only valid in combination with option Ext. Generator Control B10.

Example: "SOUR:EXT1:FREQ:SWE ON" 'Activates the frequency sweep for ext.
generator 1.

Characteristics: *RST value: OFF
SCPI: device-specific

Mode: all

SOURce<1|2>:EXTernal<1|2>:POWER[:LEVel] <numeric_value>

This command sets the output power of the selected generator 1 or 2 in the selected window.

This command is only valid in combination with option Ext. Generator Control B10.

Example: "SOUR:EXT:POW -30dBm" 'Sets the generator level to -30 dBm

Characteristics: *RST value: -20 dBm
SCPI: device-specific

Mode: all

SOURce<1|2>:EXTernal<1|2>:ROSCillator[:SOURce] INTernal | EXTernal

This command switches between external and internal reference oscillator for the frequency processing of external generator 1 and 2.

The command always works on both generators. Therefore, the numeric suffix in EXTernal<1|2> is not significant.

This command is only valid in combination with option Ext. Generator Control B10.

Example: "SOUR:EXT:ROSC EXT" 'switches to external reference oscillator

Characteristics: *RST value: INT
 SCPI: device-specific

Mode: all

This command is available from firmware version 1.40 or higher.

STATus Subsystem

The STATus subsystem contains the commands for the status reporting system (see Chapter 5, Status Reporting System[®]). *RST does not influence the status registers.

COMMAND	PARAMETERS	UNIT	COMMENT
STATus			
:OPERation			
[:EVENT?]	--	--	
:CONDition?	--	--	
:ENABle	0 to 65535	--	
:PTRansition	0 to 65535	--	
:NTRansition	0 to 65535	--	
:PRESet	--	--	
:QUEStionable			
[:EVENT?]	--	--	
:CONDition?	--	--	
:ENABle	0 to 65535	--	
:PTRansition	0 to 65535	--	
:NTRansition	0 to 65535	--	
:POWer			
[:EVENT?]	--	--	
:CONDition?	--	--	
:ENABle	0 to 65535	--	
:PTRansition	0 to 65535	--	
:NTRansition	0 to 65535	--	
:LIMit<1 2>			
[:EVENT?]	--	--	
:CONDition?	--	--	
:ENABle	0 to 65535	--	
:PTRansition	0 to 65535	--	
:NTRansition	0 to 65535	--	
:LMARgin<1 2>			
[:EVENT?]	--	--	
:CONDition?	--	--	
:ENABle	0 to 65535	--	
:PTRansition	0 to 65535	--	
:NTRansition	0 to 65535	--	
:ACPLimit			
[:EVENT?]	--	--	
:CONDition?	--	--	
:ENABle	0 to 65535	--	
:PTRansition	0 to 65535	--	
:NTRansition	0 to 65535	--	
:FREQuency			
[:EVENT?]	--	--	
:CONDition?	--	--	
:ENABle	0 to 65535	--	
:PTRansition	0 to 65535	--	
:NTRansition	0 to 65535	--	
:SYNC			
[:EVENT?]	--	--	
:CONDition?	--	--	
:ENABle	0 to 65535	--	
:PTRansition	0 to 65535	--	
:NTRansition	0 to 65535	--	

COMMAND	PARAMETERS	UNIT	COMMENT
STATus :QUEue [:NEXT?]	-- --	-- --	

STATus:OPERation[:EVENT]?

This command queries the contents of the EVENT section of the STATus:OPERation register. The contents of the EVENT section are deleted after readout.

Example: "STAT:OPER?"

Characteristics: *RST value: –
SCPI: conforming

Mode: all

STATus:OPERation:CONDition?

This command queries the CONDition section of the STATus:OPERation register. Readout does not delete the contents of the CONDition section. The value returned reflects the current hardware status.

Example: "STAT:OPER:COND?"

Characteristics: *RST value: –
SCPI: conforming

Mode: all

STATus:OPERation:ENABLE 0 to 65535

This command sets the bits of the ENABLE section of the STATus:OPERation register. The ENABLE register selectively enables the individual events of the associated EVENT section for the summary bit in the status byte.

Example: "STAT:OPER:ENAB 65535"

Characteristics: *RST value: –
SCPI: conforming

Mode: all

STATus:OPERation:PTRansition 0 to 65535

This command sets the edge detectors of all bits of the STATus:OPERation register from 0 to 1 for the transitions of the CONDition bit.

Example: "STAT:OPER:PTR 65535"

Characteristics: *RST value: –
SCPI: conforming

Mode: all

STATus:OPERation:NTRansition 0 to 65535

This command sets the edge detectors of all bits of the STATus:OPERation register from 1 to 0 for the transitions of the CONDition bit.

Example: "STAT:OPER:NTR 65535"

Characteristics: *RST value: –
SCPI: conforming

Mode: all

STATus:PRESet

This command resets the edge detectors and ENABLE parts of all registers to a defined value. All PTRansition parts are set to FFFFh, i.e. all transitions from 0 to 1 are detected. All NTRansition parts are set to 0, i.e. a transition from 1 to 0 in a CONDition bit is not detected. The ENABLE part of the STATus:OPERation and STATus:QUESTionable registers are set to 0, i.e. all events in these registers are not passed on.

Example: "STAT:PRES"

Characteristics: *RST value: –
SCPI: conforming

Mode: all

STATus:QUESTionable[:EVENT]?

This command queries the contents of the EVENT section of the STATus:QUESTionable register. The contents of the EVENT section are deleted after the readout.

Example: "STAT:QUES?"

Characteristics: *RST value: –
SCPI: conforming

Mode: all

STATus:QUESTionable:CONDition?

This command queries the CONDition section of the STATus:QUESTionable register. Readout does not delete the contents of the CONDition section.

Example: "STAT:QUES:COND?"

Characteristics: *RST value: –
SCPI: conforming

Mode: all

STATus:QUESTionable:ENABLE 0 to 65535

This command sets the bits of the ENABLE section of the STATus-QUESTionable register. The ENABLE register selectively enables the individual events of the associated EVENT section for the summary bit in the status byte.

Example: "STAT:QUES:ENAB 65535"

Characteristics: *RST value: –
SCPI: conforming

Mode: all

STATus:QUEStionable:PTRansition 0 to 65535

This command sets the edge detectors of all bits of the STATus:QUEStionable register from 0 to 1 for the transitions of the CONDition bit.

Example: "STAT:QUES:PTR 65535"

Characteristics: *RST value: –
SCPI: conforming

Mode: all

STATus:QUEStionable:NTRansition 0 to 65535

This command sets the edge detectors of all bits of the STATus:OPERation register from 1 to 0 for the transitions of the CONDition bit.

Example: "STAT:QUES:NTR 65535"

Characteristics: *RST value: –
SCPI: conforming

Mode: all

STATus:QUEStionable:POWer[:EVENT]?

This command queries the contents of the EVENT section of the STATus:QUEStionable:POWer register. Readout deletes the contents of the EVENT section.

Example: "STAT:QUES?"

Characteristics: *RST value: –
SCPI: conforming

Mode: all

STATus:QUEStionable:POWer:CONDition?

This command queries the contents of the CONDition section of the STATus:QUEStionable:POWer register. Readout does not delete the contents of the CONDition section.

Example: "STAT:QUES:COND?"

Characteristics: *RST value: –
SCPI: conforming

Mode: all

STATus:QUEStionable:POWer:ENABle 0 to 65535

This command sets the bits of the ENABle section of the STATus:QUEStionable:POWer register. The ENABle register selectively enables the individual events of the associated EVENT section for the summary bit.

Example: "STAT:QUES:ENAB 65535"

Characteristics: *RST value: –
SCPI: conforming

Mode: all

STATus:QUEStionable:POWer:PTRansition 0 to 65535

This command sets the edge detectors of all bits of the STATus:QUEStionable:POWer register from 0 to 1 for the transitions of the CONDition bit.

Example: "STAT:QUES:PTR 65535"

Characteristics: *RST value: –
SCPI: conforming

Mode: all

STATus:QUEStionable:POWer:NTRansition 0 to 65535

This command sets the edge detectors of all bits of the STATus:QUEStionable:POWer register from 1 to 0 for the transitions of the CONDition bit.

Example: "STAT:QUES:NTR 65535"

Characteristics: *RST value: –
SCPI: conforming

Mode: all

STATus:QUEStionable:LIMit<1|2>[:EVENT]?

This command queries the contents of the EVENT section of the STATus:QUEStionable:LIMit register. Readout deletes the contents of the EVENT section.

Example: "STAT:QUES?"

Characteristics: *RST value: –
SCPI: device-specific

Mode: all

STATus:QUEStionable:LIMit<1|2>:CONDition?

This command queries the contents of the CONDition section of the STATus:QUEStionable:LIMit register.

Readout does not delete the contents of the CONDition section.

Example: "STAT:QUES:LIM:COND?"

Characteristics: *RST value: –
SCPI: device-specific

Mode: all

STATus:QUEStionable:LIMit<1|2>:ENABle 0 to 65535

This command sets the bits of the ENABle section of the STATus:QUEStionable register. The ENABle register selectively enables the individual events of the associated EVENT section for the summary bit.

Example: "STAT:QUES:ENAB 65535"

Characteristics: *RST value: –
SCPI: device-specific

Mode: all

STATus:QUEStionable:LIMit<1|2>:PTRansition 0 to 65535

This command sets the edge detectors of all bits of the STATus:QUEStionable:LIMit register from 0 to 1 for the transitions of the CONDition bit.

Example: "STAT:QUES:PTR 65535"
Characteristics: *RST value: –
 SCPI: device-specific
Mode: all

STATus:QUEStionable:LIMit<1|2>:NTRansition 0 to 65535

This command sets the edge detectors of all bits of the STATus:QUEStionable:LIMit register from 1 to 0 for the transitions of the CONDition bit.

Example: "STAT:QUES:NTR 65535"
Characteristics: *RST value: –
 SCPI: device-specific
Mode: all

STATus:QUEStionable:LMARgin<1|2> [:EVENT]?

This command queries the contents of the EVENT section of the STATus:QUEStionable:LMARgin register. Readout deletes the contents of the EVENT section.

Example: "STAT:QUES:LMAR?"
Characteristics: *RST value: –
 SCPI: device-specific
Mode: all

STATus:QUEStionable:LMARgin<1|2>:CONDition?

This command queries the contents of the CONDition section of the STATus:QUEStionable:LMARgin register. Readout does not delete the contents of the CONDition section.

Example: "STAT:QUES:LMAR:COND?"
Characteristics: *RST value: –
 SCPI: device-specific
Mode: all

STATus:QUEStionable:LMARgin<1|2>:ENABle 0 to 65535

This command sets the bits of the ENABle section of the STATus:QUEStionable:LMARgin register. The ENABle register selectively enables the individual events of the associated EVENT section for the summary bit.

Example: "STAT:QUES:LMAR:ENAB 65535"
Characteristics: *RST value: –
 SCPI: device-specific
Mode: all

STATus:QUESTionable:LMARgin<1|2>:PTRansition 0 to 65535

This command sets the edge detectors of all bits of the STATus:QUESTionable:LMARgin register from 0 to 1 for the transitions of the CONDition bit.

Example: "STAT:QUES:LMAR:PTR 65535"

Characteristics: *RST value: –
SCPI: device-specific

Mode: all

STATus:QUESTionable:LMARgin<1|2>:NTRansition 0 to 65535

This command sets the edge detectors of all bits of the STATus:QUESTionable:LMARgin register from 1 to 0 for the transitions of the CONDition bit.

Example: "STAT:QUES:LMAR:NTR 65535"

Characteristics: *RST value: –
SCPI: device-specific

Mode: all

STATus:QUESTionable:SYNC[:EVENT]?

This command queries the contents of the EVENT section of the STATus:QUESTionable:SYNC register. Readout deletes the contents of the EVENT section.

Example: "STAT:QUES:SYNC?"

Characteristics: *RST value: –
SCPI: device-specific

Modes: all

STATus:QUESTionable:SYNC:CONDition?

This command queries the contents of the CONDition section of the STATus:QUESTionable:SYNC register. Readout does not delete the contents of the CONDition section.

Example: "STAT:QUES:SYNC:COND?"

Characteristics: *RST value: –
SCPI: device-specific

Modes: all

STATus:QUESTionable:SYNC:ENABle 0 to 65535

This command sets the bits of the ENABle section of the STATus:QUESTionable: SYNC register. The ENABle register selectively enables the individual events of the associated EVENT section for the sum bit in the status byte.

Example: "STAT:QUES:SYNC:ENAB 65535"

Characteristics: *RST value: –
SCPI: device-specific

Modes: all

STATus:QUEStionable:SYNC:PTRansition 0 to 65535

This command sets the edge detectors of all bits of the STATus:QUEStionable: SYNC register from 0 to 1 for the transitions of the CONDition bit.

Example: "STAT:QUES:SYNC:PTR 65535"

Characteristics: *RST value: –
SCPI: device-specific

Modes: all

STATus:QUEStionable:SYNC:NTRansition 0 to 65535

This command sets the edge detectors of all bits of the STATus:QUEStionable: SYNC register from 1 to 0 for the transitions of the CONDition bit.

Example: "STAT:QUES:SYNC:NTR 65535"

Characteristics: *RST value: –
SCPI: device-specific

Modes: all

STATus:QUEStionable:ACPLimit[:EVENT]?

This command queries the contents of the EVENT section of the STATus:QUEStionable:ACPLimit register. Readout deletes the contents of the EVENT section.

Example: "STAT:QUES:ACPL?"

Characteristics: *RST value: –
SCPI: device-specific

Mode: all

STATus:QUEStionable:ACPLimit:CONDition?

This command queries the contents of the CONDition section of the STATus:QUEStionable:ACPLimit register. Readout does not delete the contents of the CONDition section.

Example: "STAT:QUES:ACPL:COND?"

Characteristics: *RST value: –
SCPI: device-specific

Mode: all

STATus:QUEStionable:ACPLimit:ENABLE 0 to 65535

This command sets the bits of the ENABLE section of the STATus:QUEStionable:ACPLimit register. The ENABLE register selectively enables the individual events of the associated EVENT section for the summary bit.

Example: "STAT:QUES:ACPL:ENAB 65535"

Characteristics: *RST value: –
SCPI: device-specific

Mode: all

STATus:QUEStionable:ACPLimit:PTRansition 0 to 65535

This command sets the edge detectors of all bits of the STATus:QUEStionable: ACPLimit register from 0 to 1 for the transitions of the CONDition bit.

Example: "STAT:QUES:ACPL:PTR 65535"

Characteristics: *RST value: –
SCPI: device-specific

Mode: all

STATus:QUEStionable:ACPLimit:NTRansition 0 to 65535

This command sets the edge detectors of all bits of the STATus:QUEStionable: ACPLimit register from 1 to 0 for the transitions of the CONDition bit.

Example: "STAT:QUES:ACPL:NTR 65535"

Characteristics: *RST value: –
SCPI: device-specific

Mode: all

STATus:QUEStionable:FREQuency[:EVENT]?

This command queries the contents of the EVENT section of the STATus:QUEStionable: FREQuency register.

Example: "STAT:QUES:FREQ?"

Characteristics: *RST value: –
SCPI: device-specific

Mode: all

Readout deletes the contents of the EVENT section.

STATus:QUEStionable:FREQuency:CONDition?

This command queries the contents of the CONDition section of the STATus:QUEStionable:FREQuency register. Readout does not delete the contents of the CONDition section.

Example: "STAT:QUES:FREQ:COND?"

Characteristics: *RST value: –
SCPI: device-specific

Mode: all

STATus:QUEStionable:FREQuency:ENABLE 0 to 65535

This command sets the bits of the ENABLE section of the STATus:QUEStionable:FREQuency register. The ENABLE register selectively enables the individual events of the associated EVENT section for the summary bit.

Example: "STAT:QUES:FREQ:ENAB 65535"

Characteristics: *RST value: –
SCPI: device-specific

Mode: all

STATus:QUEStionable:FREQuency:PTRansition 0 to 65535

This command sets the edge detectors of all bits of the STATus:QUEStionable:FREQuency register from 0 to 1 for the transitions of the CONDition bit.

Example: "STAT:QUES:FREQ:PTR 65535"

Characteristics: *RST value: –
SCPI: device-specific

Mode: all

STATus:QUEStionable:FREQuency:NTRansition 0 to 65535

This command sets the edge detectors of all bits of the STATus:QUEStionable:FREQuency register from 1 to 0 for the transitions of the CONDition bit.

Example: "STAT:QUES:FREQ:NTR 65535"

Characteristics: *RST value: –
SCPI: device-specific

Mode: all

STATus:QUEue[:NEXT]?

This command returns the earliest entry to the error queue and deletes it.

Positive error numbers indicate device-specific errors, negative error numbers are error messages defined by SCPI (cf. Chapter 9). If the error queue is empty, the error number 0, "no error", is returned. This command is identical with the command SYSTem:ERRor.

Example: "STAT:QUE?"

Characteristics: *RST value: –
SCPI: conforming

Mode: all

SYSTEM Subsystem

This subsystem contains a series of commands for general functions.

COMMAND	PARAMETERS	UNIT	COMMENT
SYSTEM			
:COMMunicate			
:GPIB			
[:SELF]			
:ADDRESS	0 to 30	--	
:RTERminator	LFEoi EOI		
:RDEvice			
:GENerator<1 2>			ext. generator option
:ADDRESS	0 to 30		ext. generator option
:RDEvice			
:GENerator<1 2>			tracking generator option
:LINK	GPIB TTL		tracking generator option
:TYPE	<name>		tracking generator option
:SERial			
:CONTRol			
:DTR	IBFull OFF		
:RTS	IBFull OFF		
[:RECeive]			
:BAUD	<numeric_value>	--	
:BITS	7 8	--	
:PARity			
[:TYPE]	EVEN ODD NONE		
:SBITs	1 2	--	
:PACE	XON NONE		
:PRINter			
:ENUMerate			
[:NEXT?]			query only
:FIRSt?			query only
:SElect<1 2>	<printer_name>		
:DATE	<num>, <num>, <num>	--	
:DISPlay			
:FPANel	<Boolean>		
:UPDate	<Boolean>		
:ERRor?	--	--	query only
:FIRMware			
:UPDate	<string>		no query
:FIRMware			
:UPDate	<string>		no query
:PASSword		--	
[:CENable]	<string>		no query
:PRESet	--		no query
:SET	<block>	--	
:SPEaker		--	audio demodulator option
:VOLume	<numeric_value>	--	
:TIME	0 to 23, 0 to 59, 0 to 59		
:VERsion?	--		query only

SYSTEM:COMMunicate:GPIB[:SELF]:ADDRESS 0 to 30

This command changes the IEC/IEEE-bus address of the unit.

Example: "SYST:COMM:GPIB:ADDR 18"

Characteristics: *RST value: - (no influence on this parameter, factory default 20)
 SCPI: conforming

Mode: all

SYSTEM:COMMunicate:GPIB[:SELF]:RTERminator LFEOI | EOI

This command changes the GPIB receive terminator.

According to the standard the terminator in ASCII is <LF> and/or <EOI>. For binary data transfers (e.g. trace data) from the control computer to the instrument, the binary code (0AH) used for <LF> might be included in the binary data block, and therefore should not be interpreted as a terminator in this particular case. This can be avoided by changing the receive terminator to EOI.

Output of binary data from the instrument to the control computer does not require such a terminator change.

Example: "SYST:COMM:GPIB:RTER EOI"

Characteristics: *RST value: -- (no influence on this parameter, factory default LFEOI)
 SCPI: device-specific

Mode: all

SYSTEM:COMMunicate:GPIB:RDEvice:GENerator<1|2>:ADDRESS 0 to 30

This command changes the IEC/IEEE-bus address of the device selected as external generator 1 or 2.

Note: *If two generators are connected at the same time to IECBUS 2 their addresses must be different.*

The command is only available with option Ext. Generator Control B10.

Example: "SYST:COMM:GPIB:RDEV:GEN1:ADDR 19" 'Changes the IECBUS address of generator 1 to 19'

Characteristics: *RST value: 28
 SCPI: device-specific

Operating mode: all

SYStem:COMMunicate:RDEvice:GENerator<1 | 2>:TYPE <name>

This command selects the type of external generator 1 or 2. The following table shows the available generator types including the associated interface:

Generator	Interface Type	Generator Min Freq	Generator Max Freq	Generator Min Power dBm	Generator Max Power dBm
SME02	TTL	5 kHz	1.5 GHz	-144	+16
SME03	TTL	5 kHz	3.0 GHz	-144	+16
SME06	TTL	5 kHz	6.0 GHz	-144	+16
SMG	GPIB	100 kHz	1.0 GHz	-137	+13
SMGL	GPIB	9 kHz	1.0 GHz	-118	+30
SMGU	GPIB	100 kHz	2.16 GHz	-140	+13
SMH	GPIB	100 kHz	2.0 GHz	-140	+13
SMHU	GPIB	100 kHz	4.32 GHz	-140	+13
SMIQ02B	TTL	300 kHz	2.2 GHz	-144	+13
SMIQ02E	GPIB	300 kHz	2.2 GHz	-144	+13
SMIQ03B	TTL	300 kHz	3.3 GHz	-144	+13
SMIQ03E	GPIB	300 kHz	3.3 GHz	-144	+13
SMIQ04B	TTL	300 kHz	4.4 GHz	-144	+10
SMIQ06B	TTL	300 kHz	6.4 GHz	-144	+10
SML01	GPIB	9 kHz	1.1 GHz	-140	+13
SML02	GPIB	9 kHz	2.2 GHz	-140	+13
SML03	GPIB	9 kHz	3.3 GHz	-140	+13
SMR20	TTL	1 GHz	20 GHz	-130 ²⁾	+11 ²⁾
SMR20B11 ¹⁾	TTL	10 MHz	20 GHz	-130 ²⁾	+13 ²⁾
SMR27	TTL	1 GHz	27 GHz	-130 ²⁾	+11 ²⁾
SMR27B11 ¹⁾	TTL	10 MHz	27 GHz	-130 ²⁾	+12 ²⁾
SMR30	TTL	1 GHz	30 GHz	-130 ²⁾	+11 ²⁾
SMR30B11 ¹⁾	TTL	10 MHz	30 GHz	-130 ²⁾	+12 ²⁾
SMR40	TTL	1 GHz	40 GHz	-130 ²⁾	+9 ²⁾
SMR40B11 ¹⁾	TTL	10 MHz	40 GHz	-130 ²⁾	+12 ²⁾
SMR60	TTL	1 GHz	60 GHz	-130 ²⁾	+9 ²⁾
SMR60B11 ¹⁾	TTL	10 MHz	60 GHz	-130 ²⁾	+12 ²⁾
SMP02	TTL	10 MHz	20 GHz	-130 ³⁾	+17 ³⁾
SMP03	TTL	10 MHz	27 GHz	-130 ³⁾	+13 ³⁾
SMP04	TTL	10 MHz	40 GHz	-130 ³⁾	+12 ³⁾
SMP22	TTL	10 MHz	20 GHz	-130 ³⁾	+20 ³⁾
SMT02	GPIB	5.0 kHz	1.5 GHz	-144	+13
SMT03	GPIB	5.0 kHz	3.0 GHz	-144	+13
SMT06	GPIB	5.0 kHz	6.0 GHz	-144	+13
SMV03	GPIB	9 kHz	3.3 GHz	-140	+13

1) Requires mounting of option SMR-B11.

2) Maximum/Minimum Power depends on the presence of option SMR-B15/-B17 and of the selected frequency range. For details please consult the SMR datasheet.

3) Maximum/Minimum Power depends on the presence of option SMP-B15/-B17 and of the selected frequency range. For details please consult the SMP datasheet.

Generator	Interface Type	Generator Min Freq	Generator Max Freq	Generator Min Power dBm	Generator Max Power dBm
SMX	GPIB	100 kHz	1.0 GHz	-137	+13
SMY01	GPIB	9 kHz	1.04 GHz	-140	+13
SMY02	GPIB	9 kHz	2.08 GHz	-140	+13
HP8340A	GPIB	10 MHz	26.5 GHz	-110	10
HP ESG-A Series 1000A, 2000A, 3000A, 4000A	GPIB	250 kHz	4 GHz	-136	20
HP ESG-D SERIES E4432B	GPIB	250 kHz	3 GHz	-136	+10

Notes: Generators with TTL interface can also be operated via IECBUS (= GPIB) alone.

With NONE selected, the corresponding generator 1 or 2 is deactivated.

The command is only available with option Ext. Generator Control B10.

Example: "SYST:COMM:RDEV:GEN2:TYPE 'SME02'" 'Selects SME02 as generator 2.

Characteristics: *RST value: NONE
SCPI: device-specific

SYSTEM:COMMunicate:SERial:CONTrol:DTR IBFull | OFF
SYSTEM:COMMunicate:SERial:CONTrol:RTS IBFull | OFF

These commands switch the hardware handshake procedure for the serial interface off (OFF) or on (IBFull).

The two commands are equivalent.

Examples: "SYST:COMM:SER:CONT:DTR OFF"
"SYST:COMM:SER:CONT:RTS IBF"

Characteristics: *RST value: -- (no influence on this parameter, factory default OFF)
SCPI: conforming

Mode: all

SYSTEM:COMMunicate:SERial[:RECEive]:BAUD 110 | 300 | 600 | 1200 | 2400 | 9600 | 19200

This command sets the transmission speed for the serial interface (COM).

Example: "SYST:COMM:SER:BAUD 2400"

Characteristics: *RST value: -- (no influence on this parameter, factory default 9600)
SCPI: conforming

Mode: all

SYSTem:COMMunicate:SERial[:RECEive]:BITS 7 | 8

This command defines the number of data bits per data word for the serial interface (COM).

Example: "SYST:COMM:SER:BITS 7"

Characteristics: *RST value: -- (no influence on this parameter, factory default 8)
 SCPI: conforming

Mode: all

SYSTem:COMMunicate:SERial[:RECEive]:PARity[:TYPE] EVEN | ODD | NONE

This command defines the parity check for the serial interface (COM).

Possible values are: EVEN even parity
 ODD odd parity
 NONE no parity check.

Example: "SYST:COMM:SER:PAR EVEN"

Characteristics: *RST value: -- (no influence on this parameter, factory default NONE)
 SCPI: conforming

Mode: all

SYSTem:COMMunicate:SERial[:RECEive]:SBITS 1|2

This command defines the number of stop bits per data word for the serial interface (COM).

Example: "SYST:COMM:SER:SBITS 2"

Characteristics: *RST value: -- (no influence on this parameter, factory default 1)
 SCPI: conforming

Mode: all

SYSTem:COMMunicate:SERial[:RECEive]:PACE XON | NONE

This command switches on or off the software handshake for the serial interface.

Example: "SYST:COMM:SER:PACE XON"

Characteristics: *RST value: -- (no influence on this parameter, factory default NONE)
 SCPI: conforming

Mode: all

SYSTEM:COMMunicate:PRINter:ENUMerate:FIRSt?

This command queries the name of the first printer (in the list of printers) available under Windows NT.

The names of other installed printers can be queried with command `SYSTEM:COMMunicate:PRINter:ENUMerate:NEXT?`.

If no printer is configured an empty string is output.

Example: `"SYST:COMM:PRIN:ENUM:FIRS?"`

Characteristics: *RST value: NONE
 SCPI: device-specific

Mode: all

SYSTEM:COMMunicate:PRINter:ENUMerate:NEXT?

This command queries the name of the next printer installed under Windows NT.

The command

`SYSTEM:COMMunicate:PRINter:ENUMerate:FIRSt?`

should be sent previously to return to the beginning of the printer list and query the name of the first printer.

The names of other printers can then be queried with `NEXT?`. After all available printer names have been output, an empty string enclosed by quotation marks (") is output for the next query. Further queries are answered by a Query Error.

Example: `"SYST:COMM:PRIN:ENUM:NEXT?"`

Characteristics: *RST value: NONE
 SCPI: device-specific

Mode: all

SYSTEM:COMMunicate:PRINter:SElect <1|2> <printer_name>

This command selects one of the printers configured under Windows NT including the associated output destination.

The specified printer name must be a string as returned by the commands

`SYSTEM:COMMunicate :PRINter:ENUMerate:FIRSt?` or

`SYSTEM:COMMunicate :PRINter:ENUMerate:NEXT?`

Note: *Command `HCOpy:DESTination` is used to select an output medium other than the default one.*

Example: `"SYST:COMM:PRIN:SEL 'LASER on LPT1'"`

Characteristics: *RST value: NONE
 SCPI: device-specific

Mode: all

SYSTem:DATE 1980 to 2099, 1 to 12, 1 to 31

This command is used to enter the date for the internal calendar.
The sequence of entry is year, month, day.

Example: " SYST:DATE 2000,6,1 "

Characteristics: *RST value: –
SCPI: conforming

Mode: all

SYSTem:DISPlay:FPANel ON | OFF

This command activates or deactivates the display of the front panel keys on the screen.

With the display activated, the instrument can be operated on the screen using the mouse by pressing the corresponding buttons. This may be useful if the instrument is operated in a detached station by means of a remote program such as PCANYWHERE.

Notes: *With the display of the front panel keys activated, the screen resolution of the unit is set to 1024x768. Thus, only a section of the whole screen is visible on the internal LCD display, which will be moved by mouse moves.*

For a full display of the user interface, an external monitor has to be connected to the rear panel.

When the front panel display is deactivated, the original screen resolution is restored.

Example: " SYST:DISP:FPAN ON "

Characteristics: *RST value: OFF
SCPI: device-specific

Operating mode: all

SYSTem:DISPlay:UPDate ON | OFF

This command switches on or off the update of all display elements during remote control.

Note: *The best performance is obtained when the display output is switched off during remote control.*

Example: " SYST:DISP:UPD ON "

Characteristics: *RST value: OFF
SCPI: device specific

Mode: all

SYSTem:ERRor?

This command queries the earliest entry in the error queue, and deletes it after the readout.

Positive error numbers indicate device-specific errors, negative error numbers are error messages defined by SCPI (cf. Chapter 9). If the error queue is empty, the error number 0, "no error", is returned. This command is identical with the command `STATus:QUEue:NEXT?`. This command is a query and therefore has no *RST value.

Example: " SYST:ERR? "

Characteristics: *RST value: –
SCPI: conforming

Mode: all

SYSTEM:ERRor:LIST?

This command reads all system messages and returns a list of comma separated strings. Each string corresponds to an entry in the table SYSTEM MESSAGES.

If the error list is empty, an empty string "" will be returned.

This command is a query and therefore has no *RST value.

Example: "SYST:ERR:LIST?"

Characteristics: *RST value: -
SCPI: device specific

Mode: all

SYSTEM:ERRor:CLEar:ALL

This command deletes all entries in the table SYSTEM MESSAGES.

This command is an event and therefore has no query and no *RST value.

Example: "SYST:ERR:CLE:ALL?"

Characteristics: *RST value: -
SCPI: device specific

Mode: all

SYSTEM:FIRMware:UPDate <path>

This command starts a firmware update using the data set in the selected directory. Beforehand, the update files have to be stored in the following subdirectories using command MMEM:DATA:

Directory	Contents				
DISK1	_inst32i.ex_	_isdel.exe	_setup.dll	_sys1.cab	_user1.cab
	data.tag	data1.cab	id.txt	lang.dat	layout.bin
	os.dat	Setup.exe	Setup.ini	setup.ins	setup.lid
DISK2	data2.cab				
DISK3	data3.cab				
DISK4	data4.cab				
DISK5	data5.cab				

Example: "SYST:FIRM:UPD 'D:\USER\FWUPDATE' "
'Starts the firmware update
'from directory
'D:\USER\FWUPDATE using the '
'files of ubdirectories DISK1
'to DISK5

Characteristics: *RST value: -
SCPI: device specific

Mode: all

This command is an 'event' and therefore has no query and no *RST value.

SYSTem:PASSword[:CENable] 'password'

This command enables access to the service functions by means of the password.

Example: "SYST:PASS 'XXXXX' "

Characteristics: *RST value: –
SCPI: conforming

Mode: all

This command is an event and therefore has no *RST value and no query.

SYSTem:PRESet

This command initiates an instrument reset.

The effect of this command corresponds to that of the *PRESET* key with manual control or to the *RST command.

Example: "SYST:PRES "

Characteristics: *RST value: –
SCPI: conforming

Mode: all

SYSTem:SET <block>

The query SYSTem:SET? causes the data of the current instrument setting to be transmitted to the control computer in binary format (SAVE function). The data can be read back into the instrument (RECALL function) by means of command SYSTem:SET <block>. Whilst the data records are stored on the instrument hard disk with SAVE/RECALL (MMEMory:STORE bzw. MMEMory:LOAD), it is possible to store the data in an external computer by means of SYSTem:SET.

The receive terminator has to be set to EOI to ensure reliable transfer of data (setting SYST:COMM:GPIB:RTER EOI).

Example: "SYST:SET "

Characteristics: *RST value: –
SCPI: conforming

Mode: all

SYSTem:SPEaker:VOLume 0 to 1

This command sets the volume of the built-in loudspeaker for demodulated signals. Minimum volume is set by 0 and maximum volume by 1.

The value 0 is the lowest volume, the value 1 the highest volume.

Example: "SYST:SPE:VOL 0.5 "

Characteristics: *RST value: 0
SCPI: device-specific

Mode: all

The command is only available with the audio demodulator option (FSP-B3).

SYSTEM:TIME 0 to 23, 0 to 59, 0 to 59

This command sets the internal clock. The sequence of entry is hour, minute, second.

Example: "SYST:TIME 12,30,30"

Characteristics: *RST value: –
SCPI: conforming

Mode: all

SYSTEM:VERSion?

This command queries the number of the SCPI version, which is relevant for the instrument.

Example: "SYST:VERS?"

Characteristics: *RST value: –
SCPI: conforming

Mode: all

This command is a query and therefore has no *RST value.

TRACe Subsystem

The TRACe subsystem controls access to the instrument's internal trace memory.

COMMAND	PARAMETERS	UNIT	COMMENT
TRACe<1 2> [:DATA]	TRACE1 TRACE2 TRACE3 PWCDp, CTABLE, <block> <numeric_value>...	-	
:COPY	TRACE1 TRACE2 TRACE3, TRACE1 TRACE2 TRACE3	-	
:IQ			
:AVERage [:STATe]	<Boolean>		
:COUNT	<numeric_value>	--	
:DATA?			
:MEMory?	<numeric_value>, <numeric_value>	--, --	query only
:SET	NORMal, <numeric_value>, <numeric_value>, IMMEDIATE EXTERNAL, IFPower RFPower, POSitive, <numeric_value>, <numeric_value>	--, HZ, HZ, --, --, --, --	query only
:SRATe [:STATe]	<numeric_value>	--	
:ONLine [:STATe]	<Boolean>		
:SFACtor	<Boolean>		
:I?			query only
:Q?			query only

General Trace Commands

TRACe<1|2>[:DATA] TRACE1| TRACE2| TRACE3, | PWCDp | CTABLE, <block> | <numeric_value>

This command transfers trace data from the control computer to the instrument, the query reads trace data out of the instrument. The associated measurement window is selected with the numeric suffix of TRACe<1|2>.

Note:

If the FM demodulator (option FS-K7) is active, only the displayed trace data is read out and recalled. A portion of the measurement data that can be called by means of a marker, however, is calculated from the raw measurement data. These results are no longer available after recalling a trace; the associated queries generate a query error.

Example: "TRAC TRACE1,"+A\$ (A\$: data list in the current format)
"TRAC? TRACE1"

Characteristics: *RST value: -
SCPI: conforming

Mode: all

Return values:

The returned values are scaled in the current level unit. Returned FM-modulated measurement values (activated option FS-K7) are scaled in Hz.

ASCII format (FORMat ASCII):

In ASCII format, a list of values separated by commas is returned (Comma Separated Values = CSV).

The number of measurement points is 501.

Binary format (FORMat REAL,32):

If the transmission takes place using the binary format (REAL,32), the data are transferred in block format (Definite Length Block Data according to IEEE 488.2). They are arranged in succeeding lists of I and Q data of 32 Bit IEEE 754 floating point numbers. General structure of return string:

```
#42004<meas value 1><meas value value2>...<meas value 501>
```

with

#4 digits of the subsequent number of data bytes (4 in the example)

2004 Number of the subsequent data bytes (2004 in the example)

<meas value x> 4 byte floating point measurement values

Saving and recalling:

Saving and recalling trace data together with the device settings to/from the device-internal hard disk or to/from a floppy is controlled via the commands "MMEMory:STORe:STATe" and "MMEMory:LOAD:STATe" respectively. Trace data are selected with "MMEMory:SELEct[:ITEM]:ALL" or "MMEMory:SELEct[:ITEM]:TRACe". Trace data in ASCII format (ASCII FILE EXPORT) are exported with the command "MMEM:STORe:TRACe".

Transfer format:

The trace data are transferred in the current format (corresponding to the command FORMat ASCiI|REAL). The device-internal trace memory is addressed using the trace names 'TRACE1' to 'TRACE3'.

The transfer of trace data from the control computer to the instrument takes place by indicating the trace name and then the data to be transferred. In ASCII format, these data are values separated by commas. If the transfer takes place using the format real (REAL,32), the data are transferred in block format.

The parameter of the query is the trace name TRACE1 to TRACE3, it indicates which trace memory will be read out.

Number and format of the measurement values for the different operating modes

The number of measurement values depends on the instrument setting:

SPECTRUM mode (span > 0 and zero span):

501 results are output in the unit selected for display.

Note: With AUTO PEAK detector, only positive peak values can be read out.
Trace data can be written into the instrument with logarithmic display only in dBm, with linear display only in volts.

FORMat REAL,32 is to be used as format for binary transmission, and FORMat ASCii for ASCII transmission.

GSM MS Analyzer:

With power versus time (PVT) measurement, the number of measured values depends on the number of active slots (defined by the multislot command CONF:CHAN:SLOT:MULT) as well as on the number of samples per symbol (defined by the CONF:CHAN:PRAT command).

	4 samples per symbol	8 samples per symbol
1 active slot	868 measured values	1736 measured values
2 active slots	1492 measured values	2984 measured values
3 active slots	2116 measured values	4232 measured values
4 active slots	2740 measured values	5480 measured values
8 active slots	5240 measured values	10480 measured values

With phase/frequency error (PFE) measurement, the number of measured values depends on the number of samples per symbol (defined by the CONF:CHAN:PRAT command).

4 samples per symbol	8 samples per symbol
588 measured values	1176 measured values

With modulation accuracy (MAC) measurement, the number of measured values depends on the number of samples per symbol (defined by the CONF:CHAN:PRAT command).

4 samples per symbol	8 samples per symbol
568 measured values	1136 measured values

As regards the other GSM measurements, the traces have the same length as in the SPECTRUM mode.

WCDMA 3G FDD: Code Domain Power, base station (FS-K72) and mobile station tests (FS-K73)

Depending on the display mode selected, TRACE1/2, CTABLE or PWCDp can be output. PWCDp is only available in conjunction with FS-K72, base station tests.

CTABLE can be set only if CODE PWR ABSOLUTE / RELATIVE , CHANNEL TABLE is selected for Trace 1. The same data as for TRACE1 are output. In addition, the pilot length is output as the 6th value for FS-K72 (0 as the 6th value for FS-K73) and active/inactive (1/0) as the 7th value for both options.

FS-K72: Seven values are transmitted for each assigned channel:
<class>,<channel number>,<absolute level>,<relative level>,
<timing offset>,<pilot length>,<active/inactive>,...

FS-K73: Six values are transmitted for each assigned channel:
<class>,<channel number>,<absolute level>,<relative level>,
<IQ mapping>, 0, <active/inactive>,...

The pilot length is specified in symbols.

PWCDp can be set only for base station tests (FS-K72), if CODE PWR ABSOLUTE / RELATIVE , CHANNEL TABLE is selected for Trace 1. The pilot length is transmitted in addition to the same five values as transmitted for TRACE1. The pilot length is specified in symbols.

Six values are transmitted for each assigned channel:
< class>,<channel number>,<absolute level>,<relative level>,<timing offset>,
<pilot length>,...

The pilot length is specified in bit.

TRACE1/TRACE2:

The following measured values are transferred depending on the display mode:

CODE PWR ABSOLUTE / RELATIVE , CHANNEL TABLE (TRACE1)

Each channel is defined by the class, the channel number, the absolute level, the relative level and the timing offset (base station, FS-K72) or I/Q mapping (mobile station, FS-K73). The class denotes the spreading factor of the channel.

For base station tests, class 8 corresponds to the highest spreading factor (512, symbol rate 7.5 kbps). For mobile station tests, class 9 corresponds to the highest spreading factor (256, symbol rate 7.5 kbps). Class 2 corresponds to the lowest admissible spreading factor (4, symbol rate 960 kbps).

Five values are transmitted for each assigned channel.

FS-K72:
< class>,<channel number>,<absolute level>,<relative level>,<timing offset>

For CODE PWR ABSOLUTE / RELATIVE, the channels are output according to their code numbers, i.e. in the order in which they would appear on the screen.

For CHANNEL TABLE, the channels are sorted in ascending order according to code classes, i.e. the codes not assigned appear at the end of the list.

The absolute level is specified in dBm, the relative level in dB referred to CPICH.

The timing offset is specified in chip.

FS-K73:
<class>,<channel number>,<absolute level>,<relative level>,<I/Q mapping>,...

For CODE PWR ABSOLUTE / RELATIVE, the channels are output according to their code numbers, i.e. in the order in which they would appear on the screen.

For CHANNEL TABLE, the channels are sorted in ascending order according to code classes, i.e. the codes not assigned appear at the end of the list.

The absolute level is specified in dBm, the relative level in dB referred to the total power of the signal.

The values output for I/Q mapping are: 1: I-mapped; 0: Q-mapped (FS-K73)

The example shows the results of a query for three assigned channels with the following configuration:

Base station tests (FS-K72):

1st channel: spreading factor 512, channel number 7, timing offset 0

2nd channel: spreading factor 4, channel number 2, timing offset 256 chips

3rd channel: spreading factor 128, channel number 127, timing offset 2560 chips

This yields the following result: 9,7,-40,-20,0,2,2,-40,-20,256,7,127,-40,-20,2560

The channels come in the same order as in the CDP diagram, i.e. depending on their position in the code domain of spreading factor 512.

Mobile station tests (FS-K73):

1st channel: spreading factor 256, channel number 7, I-mapped

2nd channel: spreading factor 4, channel number 2, I-mapped

3rd channel: spreading factor 128, channel number 127, Q-mapped

RESULT SUMMARY (TRACE2)

The results of the RESULT SUMMARY are output in the following order:

<modulation accuracy>,<peak CDE>,<carr freq Error>,<chip rate error>,
<total power>,<trg to frame>,<EVM peak channel>,<EVM mean channel>,<class>,
<channel number>,<power abs. channel>,<power rel. channel>,<timing offset (FS-
K72 / I/Q-mapping (FS-K73))>,<pilot length (FS-K73)>,<IQ offset>,<IQ imbalance>

EVM peak channel, EVM mean channel and modulation accuracy are specified in %, and peak CDE in dB.

The Carr Freq Error is specified in Hz, and the Chip Rate Error in ppm.

Total power and power abs. channel are specified in dBm, and power rel. channel is given in dB referred to the CPICH (FS-K72) or referred to the total power of the signal (FS-K73).

The timing offset is specified in chip, and Trg to Frame in μ s.

POWER VS SLOT (TRACE2)

FS-K72:

16 pairs of values (for 16 slots) consisting of CPICH slot number and level value are transmitted:

<slot number>,<level value in dB>,<slot number>,<level value in dB>.....

FS-K73:

15 pairs of values (for 15 slots) consisting of slot number and level value are transmitted:

<slot number>,<level value in dB>,<slot number>,<level value in dB>.....

SYMBOL EVM (TRACE2)

The number of level values depends on the spreading factor:

Spreading factor 512	5 values
Spreading factor 256	10 values
Spreading factor 128	20 values
Spreading factor 64	40 values
Spreading factor 32	80 values
Spreading factor 16	160 values
Spreading factor 8	320 values
Spreading factor 4	640 values

PK CODE DOMAIN ERR und MODULATION ACCURACY (TRACE2)

15 pairs of slot and level values are always transferred.

PK CODE DOMAIN ERR: <slot number>, <level value in dB>,.....

MODULATION ACCURACY: <slot number>, <level value in %>,

SYMBOL CONST (TRACE2)

The number of level values depends on the spreading factor:

Spreading factor 512	5 values
Spreading factor 256	10 values
Spreading factor 128	20 values
Spreading factor 64	40 values
Spreading factor 32	80 values
Spreading factor 16	160 values
Spreading factor 8	320 values
Spreading factor 4	640 values

Bit stream (TRACE2)

The bit stream of a slot is output. One value per bit is output (range of values: 0,1). The number of symbols is not constant and may differ from sweep to sweep. Specific symbols in the bit stream can be invalid (FS-K72: depending on channel type and symbol rate / FS-K73: for channels not assigned). The associated invalid bits are identified by "9".

Example of bit stream trace FS-K72: 1,0,0,9,0,1 / FS-K73: 0,1,0,0,1,1,0 (channels assigned) und 9,9,9,9,9,9,9,9,9 (channels not assigned)

TRACe:COPY TRACe:COPY TRACE1| TRACE2| TRACE3|,
TRACE1| TRACE2| TRACE3|

This command copies data from one trace to another. The second operand describes the source, the first operand the destination of the data to be copied. The associated measurement window is selected with the numeric suffix of TRACe<1|2>.

Example: "TRAC:COPY TRACE1,TRACE2"

Characteristics: *RST value:
SCPI: conforming

Mode: A, MS

This command is an event and therefore has no query and no *RST value.

TRACe:IQ Subsystem

The commands of this subsystem are used for collection and output of measured IQ data. A special memory is therefore available in the instrument with 128k words for the I and Q data. The measurement is always performed in the time domain (span = 0 Hz) at the selected center frequency. The number of samples to be collected can be set. The sample rate can be set in the range from 15.625 kHz to 32 MHz; if channel filters are used, the sample rate is a function of the filter involved and can be determined by a separate command depending on the setting. Prior to being stored in memory or output via GPIB, the measurement data are corrected in terms of frequency response.

Note: *The commands of this subsystem are not available during GSM measurements.*

Depending on the sample rate, the following maximum bandwidths can be obtained during the measurement.

Sample rate	Max. bandwidth	Notes
32 MHz	9.6 MHz	
16 MHz	7.72 MHz	
8 MHz	4.8 MHz	Signals outside the given bandwidth are folded back into the useful band due to the anti-aliasing filter.
4 MHz	2.8 MHz	
2 MHz	1.6 MHz	max. bandwidth = 0.8 * sample rate for sample rate ≤ 2 MHz
1 MHz	800 kHz	
500 kHz	400 kHz	
250 kHz	200 kHz	
125 kHz	100 kHz	
62.5 kHz	50 kHz	
31.25 kHz	25 kHz	
15.625 kHz	12.5 kHz	

Due to the sampling concept (21.4 MHz IF, 32 MHz Sampling rate), the image frequency is suppressed only by the 10 MHz analog IF filter. When applying an input signal at the edge of the 10 MHz band (+5 MHz from center), the image frequency appears 800 kHz above the input signal.

The image frequency in MHz is calculated as follows:

$$f_{\text{image}} = 2 \cdot (f_{\text{center}} + 5.4 \text{ MHz}) - f_{\text{signal}}$$

where

f_{image} = image frequency in MHz

f_{center} = center frequency in MHz

f_{signal} = frequency of the signal to be measured in MHz

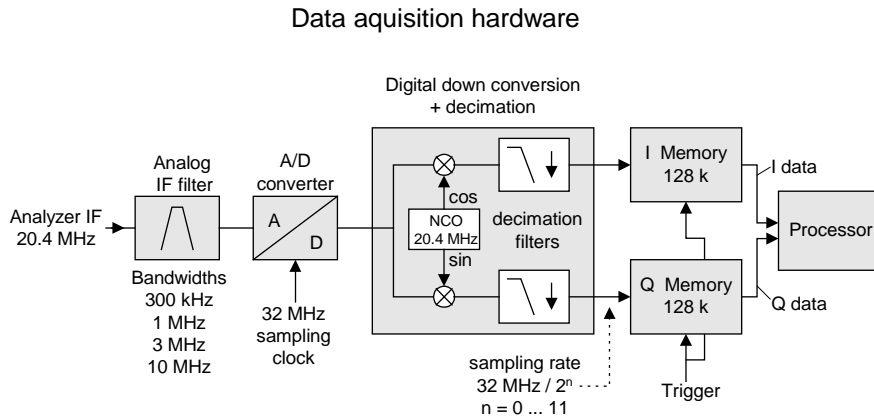
For correct operation the RF input signal shall be limited in bandwidth. Signals more than 5.4 MHz above the center frequency will be mirrored into the 10 MHz pass band.

For additional bandwidth limitation of the measurement data the analog filters (RBW ≥ 300 kHz) are available.

The block diagram below shows the analyzer hardware from the IF section to the processor. The IF filter is the resolution filter of the spectrum analyzer with bandwidths selectable from 300 kHz to 10 MHz. The A/D converter samples the IF signal (20.4 MHz) at a rate of 32 MHz.

The digital signal is down-converted to the complex baseband, lowpass-filtered, and the sampling rate is reduced, i.e. the output sampling rate is set between 15.625 kHz and 32 MHz by dividing the original sampling rate by powers of 2. This avoids unnecessary oversampling at narrower bandwidths, which saves processing time and increases the maximum recording time.

The I/Q data are written to separate memories of 128 k words each (512 k words with option FSP-B70). The memories are hardware-triggered.



Block diagram illustrating signal processing in analyzer

All trigger sources except for VIDEO can be used for triggering. The number of test points to be recorded prior to the trigger time can be selected for all of the available trigger sources except for FREE RUN, where this parameter is always to be assigned the value 0). Measurement results are output in the form of a list, with the Q values following immediately after the list of I values in the output buffer. The FORMAT command can be used to select between binary output (32 bit IEEE 754 floating-point values) and output in ASCII format.

The commands of this subsystem can be used in two ways:

1. Measurement and result query with one command:
This method causes the least delay between measurement and output of the result data, but it requires the control computer to wait actively for the response data.
2. Setting up the instrument, start of the measurement via "INIT" and query of the result list at the end of the measurement:
With this method the control computer can be used for other activities during the measurement. In this case the additional time needed for synchronization via service request must be taken into account.

TRACe<1|2>:IQ:AVERAge[:STATe] ON|OFF

The command enables averaging of the recorded I/Q data provided that I/Q data acquisition was previously enabled with `TRAC:IQ ON` and the sampling rate was set to 32 MHz.

Note:

Averaging is not supported at sampling rates <> 32 MHz or for a trigger offset < 0.

Example:

```
TRAC:IQ ON           'Switches on acquisition of I/Q data.
TRAC:IQ:SET NORM,10MHz,32MHz,EXT,POS,0,2048
                    ' Reads 2048 I/Q values starting at
                    ' the time of trigger.
                    ' Filter type:    NORMAL (analogue)
                    ' RBW:          10 MHz
                    ' Sample Rate:   32 MHz
                    ' Trigger:      external
                    ' Slope:        positive

TRAC:IQ:AVER ON    'Enables averaging of the I/Q measurement data.
TRAC:IQ:AVER:COUN 10 'Selects averaging over 10 data sets..
TRAC:IQ:DATA?     ''Starts the measurement and reads out the averaged
                    ' data.
```

Characteristics: *RST value: OFF
SCPI: device-specific

Mode: A-Z

This command is only available from firmware version 1.32 or higher.

TRACe<1|2>:IQ:AVERAge:COUNT 0 .. 32767

This command defines the number of I/Q data sets that are to serve as a basis for averaging.

Example:

```
TRAC:IQ ON           'Switches on acquisition of I/Q data.
TRAC:IQ:SET NORM,10MHz,32MHz,EXT,POS,0,2048
                    ' Reads 2048 I/Q values from the
                    ' moment of triggering.
                    ' Filter type:    NORMAL (analogue)
                    ' RBW:          10 MHz
                    ' Sample Rate:   32 MHz
                    ' Trigger:      external
                    ' Slope:        positive

TRAC:IQ:AVER ON    'Enables averaging of the I/Q measurement data
TRAC:IQ:AVER:COUN 10
                    'Selects averaging over 10 data sets
TRAC:IQ:DATA?     ''Starts the measurement and reads out the averaged
                    ' data.
```

Characteristics: *RST value: 0
SCPI: conforming

Mode: all

This command is only available from firmware version 1.32 or higher.

TRACe<1|2>:IQ:DATA?

This command starts a measurement with the settings defined via `TRACe:IQ:SET` and returns the list of measurement results immediately after they are corrected in terms of frequency response. The number of measurement results depends on the settings defined with `TRACe:IQ:SET`, the output format depends on the settings of the `FORMat` – subsystem.

Note: *The command requires that all response data are read out completely before the instrument accepts further commands.*

Parameter: none

Example:

"TRAC:IQ:STAT ON"	'Enables acquisition of I/Q data
"TRAC:IQ:SET NORM,10MHz,32MHz,EXT,POS,0,4096"	'Measurement configuration:
	'Filtertype:Normal
	'RBW:10 MHz
	'Sample Rate:32 MHz
	'Trigger Source:External
	'Trigger Slope:Positive
	'Pretrigger Samples:0
	'# of Samples:4096
"FORMat REAL,32"	'Selects format of response data
"TRAC:IQ:DATA?"	'Starts measurement and reads results

Return values:

The result values are scaled linear in unit *Volt* and correspond to the voltage at the RF input of the instrument.

ASCII Format (FORMat ASCII):

In this case the command returns a comma separated list of the measured voltage values in floating point format (Comma Separated Values = CSV). The number of values returned is 2 * number of samples, the first half being the I-values, the second half the Q-values.

Binary Format (FORMat REAL,32):

In this case the command returns binary data (Definite Length Block Data according to IEEE 488.2), with the lists of I- and Q-data being arranged one after the other in 32 Bit IEEE 754 floating point data. The scheme of the response string is as follows:

#41024<I-value1><I-value2>...<I-value128><Q-value1><Q-value2>...<Q-value128>

with

#4	digits of the subsequent number of data bytes (4 in the example)
1024	number of subsequent data bytes (<i># of DataBytes</i> , 1024 in the example)
<I-value x>	4-Byte-Floating Point I-value
<Q-value y>	4-Byte-Floating Point Q-value

The number of I- and Q-data can be calculated as follows:

$$\# \text{ of } I\text{-Data} = \# \text{ of } Q\text{-Data} = \frac{\# \text{ of } \text{DataBytes}}{8}$$

The offset of Q-data in the output buffer can be calculated as follows:

$$Q\text{-Data-Offset} = \frac{(\# \text{ of } \text{DataBytes})}{2} + \text{LengthIndicatorDigits}$$

with `LengthIndicatorDigits` being the number of digits of the length indicator including the '#'. In the example above (#41024...) this results in a value of 6 for `LengthIndicatorDigits` and the offset for the Q-data will result in $512 + 6 = 518$.

Characteristics: *RST value: --

Note:

Using the command with the *RST values for command TRAC:IQ:SET the following minimum buffer sizes for the response data are recommended:

ASCII format: 10 kBytes

Binary format: 2 kBytes

SCPI: device specific

Mode: A-T

TRACe<1|2>:IQ:DATA:MEMory? <offset samples>,<# of samples>

This command permits the readout of previously acquired (and frequency response corrected) I/Q data from the memory, with indication of the offset related to the start of measurement and with indication of the number of measurement values. Therefore a previously acquired data set can be read out in smaller portions. The maximum amount of available data depends on the settings of command TRACe: IQ: SET, the output format on the settings in the FORMat – subsystem.

Note: The command requires that all response data are read out completely before the instrument accepts further commands.

If there are not I/Q data available in memory because the corresponding measurement had not been started, the command will cause a Query Error.

Parameter:

<offset samples>	Offset of the values to be read related to the start of the acquired data. Value range: 0 to <# of samples> - 1, with <# of samples> being the value indicated with command TRACe: IQ: SET.
<# of samples>	Number of measurement values to be read. Value range: 1 to <# of samples> - <offset samples> with <# of samples> being the value indicated with command TRACe: IQ: SET.

Examples:

"TRAC: IQ: STAT ON"	'Enable acquisition of I/Q data
"TRAC: IQ: SET NORM, 10MHz, 32MHz, EXT, POS, 100, 4096"	'Configure measurement: 'Filter type: Normal 'RBW: 10 MHz 'Sample Rate: 32 MHz 'Trigger Source: External 'Trigger Slope: Positive 'Pretrigger Samples: 100 '# of Samples: 4096
"INIT; *WAI"	'Start measurement and wait for sync
"FORMat REAL, 32"	'Determine output format
'Read results:	
"TRAC: IQ: DATA: MEM? 0, 2048"	'Reads 2048 I/Q data starting at the beginning of data acquisition
"TRAC: IQ: DATA: MEM? 2048, 1024"	'Reads 1024 I/Q data from half of the recorded data
"TRAC: IQ: DATA: MEM? 100, 512"	'Reads 512 I/Q data starting at the trigger point '(<Pretrigger Samples> was 100)

Return values:

The result values are scaled linear in unit *Volt* and correspond to the voltage at the RF input of the instrument.

The format of the output buffer corresponds to the command TRACe : IQ : DATA?

Characteristics: *RST value: --
SCPI: device specific

Mode: A-T

TRACe<1|2>:IQ:SET <filter type>,<rbw>,<sample rate>,<trigger source>,<trigger slope>,<pretrigger samples>,<# of samples> This command defines the settings of the analyzer hardware for the measurement of I/Q data.

This allows setting the bandwidth of the analog filters in front of the A/D converter as well as setting the sample rate, trigger conditions and the record length.

Note: *If this command is omitted, the current analyzer settings will be used for the corresponding parameters.*

Parameter:

<filter type>: NORMAL 'Selects the analog analyzer resolution filters as filter type. This is currently the only available filter type.

<rbw>: Bandwidth of the analog filters in front of the A/D converter.

Value range: 300 kHz – 10 MHz in steps of 1, 3, 10 for
<filter type> = NORMAl<sample rate>: Sampling rate for the data acquisition.

Value range: 15.625 kHz, 31.25 kHz, 62.5 kHz,
125 kHz, 250 kHz, 500 kHz,
1 MHz, 2 MHz, 4 MHz, 8 MHz, 16 MHz,
32 MHz for <filter type> = NORMAl

<trigger mode>: Selection of the trigger source used for the measurement.

Values: IMMEDIATE | EXTERNAL | IFPOWER | RFPower

Notes:

IFPower and RFPower are available as of model 03 of the detector board assembly.

RFPower requires the TV and RF Trigger option FSP-B6.

After selecting IFPower and RFPower, the trigger threshold can be set with command TRIG:LEV:IFP or TRIG:LEV:RFP.

<trigger slope>: Used trigger slope.

Values: POSitive (currently the only value supported)

<pretrigger samples>: Number of measurement values to be recorded before the trigger point.

Range: -16744447 (= $-(2^{24}-1-512k)$) to 65023 (= $64*1024 - 512 - 1$)

Note: *Negative values correspond to a trigger delay.
For <trigger mode> = IMMEDIATE the value must be 0.*

<# of samples>: Number of measurement values to record.

Value range: 1 to 130560 (= $128*1024 - 512$)

Examples:

"TRAC:IQ:SET NORM,10MHz,32MHz,EXT,POS,0,2048" 'Reads 2048 I/Q-values starting at the trigger point.
 'Filtertype: NORMAL (analog)
 'RBW: 10 MHz
 'Sample Rate:32 MHz
 'Trigger: External
 'Slope: Positive

"TRAC:IQ:SET NORM,1MHz,4MHz,EXT,POS,1024,512" 'Reads 512 I/Q-values from 1024 measurement points before the trigger point.
 'Filtertype: NORMAL (analog)
 'RBW: 1 MHz
 'Sample Rate:4 MHz
 'Trigger: External
 'Slope: Positive

Characteristics: *RST values: NORM,3MHz,32MHz,IMM,POS,0,128

Note:

*For using these default settings with command TRAC:IQ:DATA? the following minimum buffer sizes for the response data are recommended:
 ASCII format:10 kBytes
 Binary format:2 kBytes*

SCPI: device specific

Mode: A-T

TRACe<1|2>:IQ:SRATe 15.625kHz to 32MHz

This command sets the sampling rate for the I/Q data acquisition. Thus the sample rate can be modified without affecting the other settings.

Value range: 15.625 kHz, 31.25 kHz, 62.5 kHz,
 125 kHz, 250 kHz, 500 kHz,
 1 MHz, 2 MHz, 4 MHz, 8 MHz, 16 MHz, 32 MHz

Example: "TRAC:IQ:SRAT 4MHZ"

Characteristics: *RST value: 32 MHz
 SCPI: device specific

Mode: A-T

TRACe<1|2>:IQ[:STATe] ON | OFF

This command switches the I/Q data acquisition on or off.

Note: *The I/Q data acquisition is not compatible with other measurement functions. Therefore all other measurement functions will be switched off as soon as the I/Q measurement function is switched on. Additionally a trace display is not possible in this operating mode. Therefore all traces are set to "BLANK". Finally split screen operation will automatically be stopped.*

Example: TRAC:IQ ON 'Switches on I/Q data acquisition

Characteristics: *RST value: OFF
 SCPI: device specific

Mode: A-T

TRACe<1|2>:IQ:SYNChronize[:STATe] ON|OFF

If this command is switched on, the start of I/Q measured-data acquisition will be synchronized with the trigger time. For this command to operate, I/Q measured-data acquisition must be switched on before with `TRAC:IQ ON`, and the sampling rate for the signal measured must be 32 MHz.

Synchronization ensures that measured-data acquisition is phase-locked to the trigger signal. Phase synchronism is necessary for I/Q averaging to function properly.

Note:

This function is not supported with sampling rates <> 32 MHz.

Example:

```

TRAC:IQ ON           'Switch on I/Q measured-data acquisition
TRAC:IQ:SYNC ON     'Switch on synchronization of I/Q measured-data
                    'acquisition with trigger time
TRAC:IQ:SET NORM,10MHz,32MHz,EXT,POS,0,2048
                    2048 I/Q values are to be read
                    starting from the trigger time.
                    Filter type:NORMAL (analog)
                    RBW:10 MHz
                    Sampling rate:32 MHz
                    Trigger:external
                    Trigger edge:positive
TRAC:IQ:DATA?       'Start measurement and read averaged data

```

Characteristics: *RST value: ON
 SCPI: device-specific

Operating mode: A-Z

This command is available only from firmware version 1.40.

TRACe<1|2>:IQ:ONLine[:STATe] ON|OFF

This command enables/disables the online output of I/Q measurement data via the optional LVDS interface (B17) on the rear panel of the instrument. As a precondition the I/Q data acquisition must be switched on in advance via command `TRAC:IQ ON`. The settings required for the I/Q data acquisition are configured using the command `TRAC:IQ:SET`.

Single shot measurements (default setting) or continuous measurement data output can be selected using `INIT:CONT OFF` or `INIT:CONT ON` respectively. Single shot measurements are started with `TRAC:IQ:DATA?` or `INIT`.

The format of the output data is described in detail in chapter "Option FSP-B17 – IQ Online Interface" in the manual operation part of this manual.

Please note the following restrictions for sampling rates > 2 MHz:

- ▶ The internal correction of the frequency response of the decimation filters is not available for sampling rates > 2 MHz.
- ▶ For single shot measurements additional measurement data are acquired that exceed the settings of the `TRAC:IQ:SET` command. The number of samples (each I and Q) acquired before the trigger event and after the specified number of samples is indicated in the following table:

Sampling rate	Additional samples before the trigger event	Additional samples after the specified # of samples
≤ 2 MHz	0	0
4 MHz	15	31
8 MHz	14	29
16 MHz	68	137
32 MHz	70	141

Note: *The I/Q data acquisition is not compatible with other measurement functions. Therefore all other measurement functions will be switched off as soon as the I/Q measurement function is switched on. Additionally a trace display is not possible in this operating mode. Therefore all traces are set to "BLANK". Finally split screen operation will automatically be stopped.*

Example:

<code>TRAC:IQ ON</code>	'Switches the I/Q data acquisition on.
<code>TRAC:IQ:ONL ON</code>	'Switches the online output of the I/Q data on.
<code>INIT:CONT ON</code>	'Selects continuous measurement data output.

Characteristics: *RST value: OFF
SCPI: device-specific

Mode: A-T

TRACe<1|2>:IQ:ONLine:SFACtor:I?
 TRACe<1|2>:IQ:ONLine:SFACtor:Q?

The query command reads the scaling factors valid for the current device setup for the measured I/Q data. The scaling factors differ for the I and the Q data depending on the device setup selected.

The I/Q data, which is output via the LVDS interface of option B17 (value_{LVDS}), consists of the raw data from the A/D converter. The physical measurement data value_{Volt} in volts is calculated from the read values of the LVDS interface value_{LVDS} via the scaling factor Sfact according to the following formulae for the I and the Q path:

```

if (ValueLVDS[I] < 4096)
    ValueVolt[I] = ValueLVDS[I] * SFact[I]
else
    ValueVolt[I] = (ValueLVDS[I] - 8192) * SFact[I]

if (ValueLVDS[Q] < 4096)
    ValueVolt[Q] = ValueLVDS[Q] * SFact[Q]
else
    ValueVolt[Q] = (ValueLVDS[Q] - 8192) * SFact[Q]
  
```

Example:

TRAC: IQ ON	'Switches on acquisition of I/Q data.
TRAC: IQ:ONL ON	Switches on the online output of I/Q measurement data.
TRAC: IQ:ONL:SFAC:I?	'Reads out the currently valid scaling factor for 'I data
TRAC: IQ:ONL:SFAC:Q?	'Reads out the currently valid scaling factor for 'Q data

Characteristics: *RST value: --
 SCPI: device-specific

Mode: A-Z

TRIGger Subsystem

The TRIGger subsystem is used to synchronize instrument actions with events. It is thus possible to control and synchronize the start of a sweep. An external trigger signal can be applied to the connector at the rear panel of the instrument. A distinction is made between TRIGger1 (screen A) and TRIGger2 (screen B).

COMMAND	PARAMETERS	UNIT	COMMENT
TRIGger<1 2> [:SEQuence] :SOURce	IMMediate EXTernal VIDeo IFPower RFPower TV AM AF FM		TV, RFPOWer only with Option FSP-B6 AM, AF, FM only with option FS-K7
:LEVel			
:AM	<numeric_value>	DBM	Option FS-K7 FM Demodulator
:FM	<numeric_value>	HZ	Option FS-K7 FM Demodulator
:IFPower	<numeric_value>	DBM	
:RFPower	<numeric_value>	DBM	Option FSP-B6 TV and RF Trigger
:VIDeo	<numeric_value>	PCT	
:HOLDoff	<numeric_value>	S	
:SLOPe	POSitive NEGative	--	
:VIDeo			
:FORMat			
:LPFRame	525 625		Option FSP-B6 TV and RF Trigger
:FIEld			
:SElect	ALL ODD EVEN		Option FSP-B6 TV and RF Trigger
:LINE			
:NUMBer	<numeric_value>		Option FSP-B6 TV and RF Trigger
:SSIGnal			
:POLarity	NEGative POSitive		Option FSP-B6 TV and RF Trigger
:SYNChronize			Option FS-K5
:ADJust			
:EXTernal	<numeric_value>	s	
:IFPower	<numeric_value>	s	
:RFPower	<numeric_value>	s	Option FS-K5 und FSP- B6

TRIGger<1|2>[:SEQuence]:SOURce IMMediate | EXTernal | VIDeo | IFPower | RFPower | TV | AF | FM | AM

This command selects the trigger source for the start of a sweep.

Note: This command is not available during GSM measurements. The trigger source selection has to be done with the command TRIGger<1|2>[:SEQuence]:SYNChronize:ADJust..

The selection RFPower or TV is only available with option FSP-B6 (TV and RF Trigger).

The selection AF, AM or FM is only available with option FS-K7 (FM Demodulator).

Parameter:

- IMMediate = automatic triggering the next measurement at the end of the previous one. The value IMMediate corresponds to the FREE RUN setting.
- EXTernal = the next measurement is triggered by the signal at the external trigger input.
- VIDeo = the next measurement is triggered by the detection of a signal at the video filter output (not available for FM DEMOD mode).

- IFPower = the next measurement is triggered by the detection of a signal at the instrument IF (10 MHz bandwidth)
- RFPower = the next measurement is triggered by the detection of a signal at the instrument RF (80 MHz bandwidth)
- TV = the next measurement is triggered by the detection of a TV signal according to the settings of the TRIGger:SEquence:VIDeo-subsystem (not available for FM DEMOD mode)
- AF | FM = the next measurement is triggered by the detection of a FM modulated signal (AF is synonymous with FM)
- AM = the next measurement is triggered by the detection of a audio signal after AM demodulation

Note: *To ensure successful triggering with trigger sources AF, AM and FM, the measurement time should include at least 5 periods of the audio signal.*

Example: "TRIG:SOUR EXT" 'Selects the external trigger input as source of the trigger signal

Characteristics: *RST value: IMMEDIATE
SCPI: conforming

Mode: A, FM

TRIGger<1|2>[:SEquence]:LEVel:AM -100 to +30dBm

The command sets the level when AM-modulated signals are used as a trigger source.

Note: *To ensure successful triggering with trigger sources AF, AM and FM, the measurement time should include at least 5 periods of the audio signal.*

Example: "TRIG:LEV:AM 10 kHz" 'Sets the AM trigger threshold to 10 kHz

Characteristics: *RST value: 0 Hz
SCPI: device-specific

Mode: FM

This command is only available with option FS-K7 (FM Demodulator) installed.

TRIGger<1|2>[:SEquence]:LEVel:AF -10 to +10MHz

TRIGger<1|2>[:SEquence]:LEVel:FM -10 to +10MHz

The command sets the level when FM-modulated signals are used as a trigger source.

Note: *To ensure successful triggering with trigger sources AF, AM and FM, the measurement time should include at least 5 periods of the audio signal.*

Example: "TRIG:LEV:FM 10 kHz" 'Sets the FM trigger threshold to 10 kHz

Characteristics: *RST value: 0 Hz
SCPI: device-specific

Mode: FM

This command is only available with option FS-K7 (FM Demodulator) installed.

TRIGger<1|2>[:SEQuence]:LEVel[:EXTeRnal] -5.0 to +5.0V

This command sets the level of the external trigger source.

Example: "TRIG:LEV 2V"

Characteristics: *RST value: -5.0V
SCPI: conforming

Modes: all

TRIGger<1|2>[:SEQuence]:LEVel:IFPower -30 to -10DBM

This command sets the level of the IF power trigger source.

Example: "TRIG:LEV:IFP -20DBM"

Characteristics: *RST value: -20 DBM
SCPI: device-specific

Mode: all, except for FM

This command is only available from firmware version 1.20 or higher.

TRIGger<1|2>[:SEQuence]:LEVel:RFPower -50 to -10DBM

This command sets the level of the RF power trigger source.

Example: "TRIG:LEV:RFP -20DBM"

Characteristics: *RST value: -20 DBM
SCPI: device-specific

Mode: all, except for FM

This command is only available with option FSP-B6 (TV and RF Trigger).

TRIGger<1|2>[:SEQuence]:LEVel:VIDeo 0 to 100PCT

This command sets the level of the video trigger source.

Example: "TRIG:LEV:VID 50PCT"

Characteristics: *RST value: 50 PCT
SCPI: device-specific

Mode: all, except for FM

TRIGger<1|2>[:SEQUence]:HOLDoff -100 to 100s

This command defines the length of the trigger delay.

A negative delay time (pretrigger) can be set in the time domain (span < 0 Hz) only.

Example: "TRIG:HOLD 500us"

Characteristics: *RST value: 0s
SCPI: conforming

Mode: all

TRIGger<1|2>[:SEQUence]:SLOPe POSitive | NEGative

This command selects the slope of the trigger signal. The selected trigger slope applies to all trigger signal sources .

Example: "TRIG:SLOP NEG"

Characteristics: *RST value: POSitive
SCPI: conforming

Mode: all

TRIGger<1|2>[:SEQUence]:VIDeo:FORMat:LPFRame 525 | 625

This command defines the line system in use (525 or 625 lines) with active TV trigger.

Example: "TRIG:VID:FORM:LPFR 525"

Characteristics: *RST value:
SCPI: conforming

Mode: A-T

This command is only available with option FSP-B6 (TV and RF Trigger).

TRIGger<1|2>[:SEQUence]:VIDeo:LINE:NUMBer <numeric_value>

With active TV trigger this command activates triggering at the horizontal sync signal of the indicated line number.

Example: "TRIG:VID:LINE:NUMB 17"

Characteristics: *RST value:
SCPI: conforming

Mode: A-T

This command is only available with option FSP-B6 (TV and RF Trigger).

TRIGger<1|2>[:SEQuence]:VIDeo:FIELd:SELEct ALL | ODD | EVEN

With active TV trigger this command activates triggering at the vertical sync signal.

The measurement is triggered on both fields with selection ALL, on odd fields with selection ODD and on even fields with selection EVEN.

Example: "TRIG:VID:FIEL:SEL ALL"

Characteristics: *RST value:
SCPI: conforming

Mode: A-T

This command is only available with option FSP-B6 (TV and RF Trigger).

TRIGger<1|2>[:SEQuence]:VIDeo:SSIGnal:POLarity NEGative | POSitive

With active TV trigger this command selects the polarity of the video sync signal.

Example: "TRIG:VID:SSIG:POL NEG "

Characteristics: *RST value:
SCPI: conforming

Mode: A-T

This command is only available with option FSP-B6 (TV and RF Trigger).

TRIGger<1|2>[:SEQuence]:SYNChronize:ADJust:EXTernal -460µs to 100s

This command is a combination of 2 commands:

For one, the 'Extern' GSM trigger is selected. For all GSM measurements requiring a trigger signal and for which an external trigger is possible, the `EXTernal` trigger setting is used. If an external trigger is not possible, the `IMMediate` trigger setting is used (see manual of option).

For another, the correction value for the time offset of the external trigger from the beginning of the first active slot is defined (see manual of option).

This correction value is needed in order to establish an exact time reference between the trigger event and the beginning of the slot if there is no midamble triggering. The correction value for the DUT in question can be determined in the `GENERAL SETTINGS` menu with the `TRIGGER OFFSET` softkey.

This command is available only if GSM MS Analyzer (FS-K5) application firmware is installed.

Note: - If the analyzer is set to external trigger when the GSM MS mode is activated (using `INST:SEL MGSM`), the GSM trigger 'Extern' is used. If it is set to RF power, the GSM trigger 'RF Power' is used; otherwise the GSM trigger 'IF Power' (default).

- When the instrument switches over from GSM MS mode to analyzer mode, the GSM MS trigger setting is maintained, i.e. IF power, RF power, or external trigger.

Example: "INST MGSM" 'Switches the instrument to GSM MS mode
"TRIG:SYNC:ADJ:EXT 200us" 'Selects 'Extern' GSM trigger and a GSM
'trigger offset of 200 µs between the
'external trigger and the beginning of the slot.

Characteristics: *RST value: 0s
SCPI: device-specific

Mode: MS

TRIGger<1|2>[:SEQUENCE]:SYNChronize:ADJust:IFPower -460µs to 100s

This command is a combination of 2 commands:

For one, the 'IF Power' GSM trigger is selected. For all GSM measurements for which an IF power trigger is possible, the `IFPower` trigger setting is used. If an IF power trigger is not possible, the `IMMEDIATE` trigger setting is used (see manual of option).

For another, the correction value for the time offset of the IF power trigger from the beginning of the first active slot is defined (see manual of option). This correction value is needed in order to establish an exact time reference between the trigger event and the beginning of the slot if there is no midamble triggering. The correction value for the DUT in question can be determined in the `GENERAL SETTINGS` menu with the `TRIGGER OFFSET` softkey.

This command is available only if GSM MS Analyzer application firmware (FS-K5) is installed.

Note: When entering the option GSM MS Analyzer (with `INST:SEL MGSM`), the following GSM Trigger selection is made:

If the Analyzer trigger source is 'IF POWER trigger' the GSM trigger 'IF POWER' is selected.

If the Analyzer trigger source is 'Extern trigger' the GSM trigger 'Extern' is selected.

If the Analyzer trigger source is 'RF POWER trigger' the GSM trigger 'RF POWER' is selected.

Otherwise the (default) GSM Trigger 'IF POWER' is selected.

When switching from GSM MS mode to Analyzer mode, the GSM MS trigger setting is maintained, i.e. IF power if 'IF Power' was set before, RF power if 'RF Power' was set before and external trigger, if 'Extern' was set before.

Example:

"INST MGSM"	'Switches the instrument to GSM MS mode
"TRIG:SYNC:ADJ:IFP 20us"	'Selects 'IF Power' GSM trigger and a GSM trigger offset of 20 µs between the IF power trigger and the beginning of the slot

Characteristics: *RST value: 0s
SCPI: device-specific

Mode: MS

TRIGger[:SEQUENCE]:SYNChronize:ADJust:RFPower -460µs to 100s

This command is a combination of 2 commands:

For one, the 'RF Power' GSM trigger is selected. For all GSM measurements for which an RF power trigger is possible, the `RFPower` trigger setting is used. If an RF power trigger is not possible, the `IMMEDIATE` trigger setting is used (see table of triggers in FS-K5 manual)

For another, the correction value for the time offset of the RF power trigger from the beginning of the first active slot is defined. This correction value is needed in order to establish an exact time reference between the trigger event and the beginning of the slot if there is no midamble triggering. The correction value for the DUT in question can be determined in the `GENERAL SETTINGS` menu of option FS-K5 with the `TRIGGER OFFSET` softkey.

This command is available only if GSM MS Analyzer application firmware (FS-K5) is installed and if the option FSP-B6 (TV and RF Trigger) is available.

Note: When entering the option GSM MS Analyzer (with `INST:SEL MGSM`), the following GSM Trigger selection is made:

If the Analyzer trigger source is 'IF POWER trigger' the GSM trigger 'IF POWER' is selected.

If the Analyzer trigger source is 'Extern trigger' the GSM trigger 'Extern' is selected.

If the Analyzer trigger source is 'RF POWER trigger' the GSM trigger 'RF POWER' is selected.

Otherwise the (default) GSM Trigger 'IF POWER' is selected. When switching from GSM MS mode to Analyzer mode, the GSM MS trigger setting is maintained, i.e. IF power if 'IF Power' was set before, RF power if 'RF Power' was set before and external trigger, if 'Extern' was set before.

Example:

"INST MGSM"	'Switches the instrument to GSM MS mode
"TRIG:SYNC:ADJ:RFP 20us"	'Selects 'RF Power' GSM trigger and a GSM trigger offset of 20 µs between the 'RF power trigger and the beginning of the slot

Characteristics: *RST value: 0s
SCPI: device-specific

Mode: MS

UNIT Subsystem

The UNIT subsystem is used to switch the basic unit of setting parameters. A distinction is made between UNIT1 (screen A) and UNIT2 (screen B).

COMMAND	PARAMETERS	UNIT	COMMENT
UNIT<1 2> :POWer	DBM V A W DBPW WATT DBUV DBMV VOLT DBUA AMPere		

UNIT<1|2>:POWer DBM | DBPW | WATT | DBUV | DBMV | VOLT | DBUA | AMPere | V | A | W

This command selects the default unit for the selected measurement window.

Note: This command is not available in GSM MS mode. In GSM MS mode, the unit is fixed, i.e. dBm (for power measurements) or deg (for phase error measurements).

Example: "UNIT:POW DBUV" 'Sets the power unit for screen A to dBm.

Characteristics: *RST value: DBM
SCPI: conforming

Mode: A

Supported GPIB Commands of the HP 8590 Series

The FSP analyzer family has the capability to support a subset of the HP 8590 GPIB command set. Due to the differences in system architecture and features this can only be a limited support that comes to its limits where the corresponding parameters differ in their value ranges or default values or where hardware dependencies have to be taken into account. Nevertheless in many cases the subset supported by the FSP will make the adaption of existing GPIB programs for use with the FSP easier.

Supported Command Subset

Function Category	Function	HP 8590 Command	Supported Subset	Known differences
Amplitude				
	Attenuation	AT	AT <numeric_value> DB AT DN AT UP AT AUTO AT?	AT DN/UP: Stepsizes if option FSP-B25 is present. AT AUTO: Dependency calculation
	Amplitude Units	AUNITS	AUNITS DBM DBMV DBUV AUNITS?	
	Input Impedance	INZ	INZ 75 INZ 50 INZ?	
	Amplitude Scale Log	LG	LG <numeric_value> DB LG?	
	Amplitude Scale Lin	LN	LN	
	Reference Level	RL	RL <numeric_value> DB DM RL DN RL UP RL?	Stepsize and default value
	Reference Level Position	RLPOS	RLPOS <numeric_value> RLPOS DN RLPOS UP RLPOS?	On the FSP this function affects the Reference Level Position also if tracking generator normalization is inactive.
	Reference Level Offset	ROFFSET	ROFFSET <numeric_value> DB ROFFSET?	
Auxiliary Control				
	AF Demodulator	DEMOD	DEMOD ON OFF AM FM	
	Normalized Reference Level	NRL	NRL <numeric_value> DB NRL?	requires Option FSP-B10
	Source Normalization	SRCNORM	SRCNORM ON OFF SRCNORM 1 0	requires Option FSP-B10
	Source Power Offset	SRCPOFS	SRCPOFS <numeric_value> DB SRCPOFS DN SRCPOFS UP SRCPOFS?	requires Option FSP-B10
	Source Power	SRCPWR	SRCPWR <numeric_value> DB SRCPWR DN SRCPWR UP SRCPWR ON SRCPWR OFF SRCPWR?	requires Option FSP-B10

Function Category	Function	HP 8590 Command	Supported Subset	Known differences
Bandwidth				
	Resolution Bandwidth	RB	RB <numeric_value> HZ KHZ MHZ GHZ RB DN RB UP RB AUTO RB?	Value range. Formula for dependent parameters (video bandwidth, sweeptime).
	Video Bandwidth	VB	VB <numeric_value> HZ KHZ MHZ GHZ VB DN VB UP VB AUTO VB?	Value range. Formula for dependent parameters (sweeptime).
	Video Bandwidth Ratio	VBR	VBR <numeric_value> VBR DN VBR UP VBR?	Default value.
Calibration				
	Start analyzer self alignment	CAL	CAL ALL CAL ON CAL OFF	The CAL commands do not automatically set the command complete bit (Bit 4) in the status byte. An additional DONE is required for that purpose.
Configuration				
	Time Display	TIMEDSP	TIMEDSP ON OFF TIMEDSP 1 0 TIMEDSP?	
Display				
	Annotation	ANNOT	ANNOT ON OFF ANNOT 1 0 ANNOT?	Only frequency axis annotation is affected.
	Threshold	TH	TH <numeric_value> DB DM TH DN TH UP TH ON TH OFF TH AUTO TH?	Default value is different. Threshold line has no effect on trace data (TH AUTO is always active).
Frequency				
	Center Frequency	CF	CF <numeric_value> HZ KHZ MHZ GHZ CF UP CF DN CF?	Default value. Range. Stepsize.
	Start Frequency	FA	FA <numeric_value> HZ KHZ MHZ GHZ FA UP FA DN FA?	Range. Stepsize.
	Stop Frequency	FB	FB <numeric_value> HZ KHZ MHZ GHZ FB UP FB DN FB?	Default value. Range. Stepsize.
	Frequency Offset	FOFFSET	FOFFSET <numeric_value> HZ KHZ MHZ GHZ FOFFSET?	

Function Category	Function	HP 8590 Command	Supported Subset	Known differences
	CF Step Size	SS	SS <numeric_value> HZ KHZ MHZ GHZ SS DN SS UP SS AUTO SS?	Stepsize.
Information				
	Clear all status bits	CLS	CLS	
	Service Request Bit mask	RQS	RQS	Bits supported: 1 (Units key pressed) 2 (End of Sweep) 3 (Device error) 4 (Command complete) 5 (Illegal command)
	Status byte query	STB	STB	Status bits will be mapped as stated under RQS <i>Note:</i> <i>Bit 2 and 4 will always be set together if "Command complete" or "End of Sweep" is detected. The FSP cannot distinguish between these two conditions. Additionally these bits cannot be used for synchronisation on the sweep end in continuous sweep mode.</i> The status byte obtained by a serial poll will always be conforming to IEEE 488.2 / SCPI.
Marker				
	Marker Frequency Query	MF	MF MF?	
	Set Marker Frequency	MKF	MKF <numeric_value> HZ KHZ MHZ GHZ MKF?	
	Marker Amplitude	MKA	MKA?	
	Select the active marker	MKACT	MKACT 1 MKACT?	Only marker 1 is supported as the active marker.
	N dB Down	MKBW	MKBW <numeric_value> MKBW ON MKBW OFF	Different default value.
	Center Freq = Marker Freq	MKCF	MKCF	
	Delta Marker	MKD	MKD <numeric_value>HZ KHZ MHZ GHZ MKD DN MKD UP MKD ON MKD OFF	Only Deltamarker 1 is supported. Different default value. Different stepsize.
	Frequency Counter	MKFC	MKFC ON OFF MKFC 1 0	
	Frequency Counter Resolution	MKFCR	MKFCR <numeric_value> HZ KHZ MHZ GHZ MKFCR DN MKFCR UP MKFCR?	

Function Category	Function	HP 8590 Command	Supported Subset	Known differences
	Marker -> Min	MKMIN	MKMIN	
	Normal Marker	MKN	MKN <numeric_value> HZ KHZ MHZ GHZ MKN DN MKN UP MKN ON MKN OFF MKN?	
	Noise Measurement	MKNOISE	MKNOISE ON OFF MKNOISE 1 0 MKNOISE?	
	Marker off	MKOFF	MKOFF MKOFF ALL	
	Marker Search	MKPK	MKPK MKPK HI MKPK NH MKPK NR MKPK NL	
	Peak Excursion	MKPX	MKPX <numeric_value> DB MKPX DN MKPX UP MKPX?	Different stepsize.
	Ref Level = Marker Level	MKRL	MKRL	
	CF Stepsize = Marker Freq	MKSS	MKSS	
	Marker to Trace	MKTRACE	MKTRACE TRA TRB TRC	
	Signal Track	MKTRACK	MKTRACK ON OFF MKTRACK 1 0 MKTRACK?	
Preset				
	Instrument preset	IP	IP	Does not reset the status reporting information.*RST
Printer				
	Hardcopy	PRINT	PRINT	
Program Flow				
	Stop previous function	ABORT	ABORT	Does not automatically set the command complete bit (Bit 4) in the status byte. An additional DONE is required for that purpose.
Recall or Save				
	Recall analyzer state	RCLS	RCLS <numeric_value>	
	Save analyzer state	SAVES	SAVES <numeric_value>	

Function Category	Function	HP 8590 Command	Supported Subset	Known differences
Span				
	Full Span	FS	FS	Full span value.
	Frequency Span value	SP	SP <numeric_value> SP DN SP UP SP?	Default value. Stepsize. Formula for dependent values (Resolution Bandwidth, Video Bandwidth, Sweeptime)
Sweep				
	Continuous Sweep Mode	CONTS	CONTS	
	Single Sweep	SNGLS	SNGLS	
	Gated Sweep On/Off	GATE	GATE ON OFF GATE 1 0	
	Gate Mode Edge/Level	GATECTL	GATECTL EDGE LEVEL GATECTL?	
	Gate delay	GD	GD <numeric_value> US MS SC GD DN GD UP GD?	
	Gate length	GL	GL <numeric_value> US MS SC GL DN GL UP GL?	
	Gate polarity	GP	GP POS NEG GP?	
	Sweep time value	ST	ST <numeric_value> US MS SC ST DN ST UP ST AUTO ST?	SWE:TIME Valid values. Range. Stepsize
Synchroni- zation				
	Synchronization on end of all previous commands	DONE	DONE DONE?	
	Start and complete a Full Sweep	TS	TS	Only available in single sweep mode

Function Category	Function	HP 8590 Command	Supported Subset	Known differences
Trace				
	Trace difference w. display line	AMBPL	AMBPL ON OFF AMBPL 1 0 AMBPL?	
	Trace Position (Display Line)	DL	DL <numeric_value> DB DM DL DN DL UP DL ON DL OFF DL?	The display line function is only supported in terms of trace position on the screen and video trigger level. The general display line function does not exist on the FSP. ON/OFF are accepted, but ignored; the line is automatically switched on/off with AMBPL ON/OFF. Its default position is different.
	Trace Blank	BLANK	BLANK TRA TRB TRC	
	Trace Copy	MOV	MOV TRA TRB TRC,TRA TRB TRC	
	Trace Clear/Write	CLRW	CLRW TRA TRB TRC	
	Detector selection	DET	DET POS SMP NEG DET?	DET? returns SAMP instead of SMP on the FSP. DET not automatically set the command complete bit (Bit 4) in the status byte. An additional DONE is required for that purpose.
	Trace Max Hold	MXMH	MXMH TRA TRB	
	Trace Min Hold	MINH	MINH TRC	
	Video Averaging	VAVG	VAVG TRA TRB TRC	
	Trace View	VIEW	VIEW TRA TRB TRC	
Trigger				
	Trigger Mode	TM	TM FREE VID EXT TM?	
	Start new sweep	TS	TS	

Differences in Status Reporting

The major difference in status reporting between the FSP and the HP 8590 analyzers is that the FSP has a hierarchical status reporting system conforming to IEEE 488.2/SCPI, whereas the HP 8590 series has a very simple status reporting system that consists simply of the bit patterns in the status byte.

As described above, for the RQS and STB command the bit mapping of the HP 8590 analyzers is supported as described in the table below. For the status byte returned by a serial poll the bit mapping is different on the FSP. In detail this means that all of the bits enabled by the RQS command will be mapped onto **bit 5** of the Service Request Status Byte of the FSP.

This mechanism makes sure that a Service Request is generated as soon as one of the conditions enabled becomes true.

What the Service Request Routine should do rather than evaluating the return value of a serial poll is to use the STB command in order to identify the reason for the service request. The bits returned by the STB command are mapped in the same way as for the RQS command.

Bit enabled by RQS	Bit set in the status byte on serial poll
1 (Units key pressed)	5 (Event Status Register Summary Bit)
2 (End of Sweep)	5 (Event Status Register Summary Bit)
3 (Device Error)	5 (Event Status Register Summary Bit)
4 (Command Complete)	5 (Event Status Register Summary Bit)
5 (Illegal Command)	5 (Event Status Register Summary Bit)

What needs to be noted is that the FSP will notify any key pressed on the frontpanel rather than only the unit keys if bit 1 is set by the RQS command.

Additionally there is a difference in the handling of bit 6. This bit reflects the status of the SRQ line of the GPIB bus on the HP 8590 analyzers. With the FSP this is not possible. Therefore this bit will be set as soon as any of the bits 1 to 5 is set, but it will not be cleared on a serial poll.

Differences in GPIB behavior between the FSP and the FSE families of instruments

The following list of commands contains the differences in syntax and behavior between the GPIB command set of the FSP and the FSE families of instruments. FSE alone in column "Devices" denotes the instrument families FSE, FSIQ, FSET and ESIB, unless otherwise noted in column "Notes".

Devices	Command	Parameter	Notes
FSP + FSE	*CAL?		FSP: executes total calibration FSE: executes short calibration
FSP + FSE	*CLS		
FSP + FSE	*ESE		
FSP + FSE	*ESR?		
FSP + FSE	*IDN?		model indicator and version index is different for FSP and FSE
FSP + FSE	*IST?		
FSP + FSE	*OPC?		
FSP + FSE	*OPT?		list of available options is slightly different for FSP and FSE, but equally available options have equal names
FSP + FSE	*PCB		
FSP + FSE	*PRE		
FSP + FSE	*PSC		
FSP + FSE	*RST		instrument settings are slightly different for FSP and FSE due to different instrument specs
FSP + FSE	*SRE		
FSP + FSE	*STB?		
FSP + FSE	*TRG		FSP starts measurement in active screen FSE: starts measurement in both screens (split screen mode)
FSP + FSE	*TST?		
FSP + FSE	*WAI		
FSP + FSE	ABORT		
FSE	CALCulate:LIMit:CATalog?		not available in FSP
FSP	CALCulate:STATistics:APD[:STATe]	ON OFF	new function for FSP
FSP	CALCulate:STATistics:CCDF[:STATe]	ON OFF	new function for FSP
FSP	CALCulate:STATistics:NSAMples	100 to 1E9	new function for FSP
FSP	CALCulate:STATistics:PRESet		new function for FSP
FSP	CALCulate:STATistics:Result<1...3>?	MEAN PEAK CFACtor ALL	new function for FSP
FSP	CALCulate:STATistics:SCALe:AUTO	ONCE	new function for FSP
FSP	CALCulate:STATistics:X:RANGe	-10dB to 200dB	new function for FSP
FSP	CALCulate:STATistics:X:RLEVel	-130dBm to 30dBm	new function for FSP
FSP	CALCulate:STATistics:Y:LOWer	-1E-9 to 0.1	new function for FSP
FSP	CALCulate:STATistics:Y:UPPer	-1E-8 to 1.0	new function for FSP
FSE	CALCulate<1 2>:CTHReshold	MIN to MAX	not available in FSP
FSE	CALCulate<1 2>:CTHReshold:STATe	ON OFF	not available in FSP
FSP	CALCulate<1 2>:DELTaMarker<1...4>:AOFF		markers 2...4 are either normal or delta markers; marker 1 always serves as the reference marker for all deltamarkers
FSE	CALCulate<1 2>:DELTaMarker<1...4>:AOFF		there are 4 markers and 4 deltamarkers; the most recently used marker serves as the reference marker for all deltamarkers

Devices	Command	Parameter	Notes
FSP + FSE	CALCulate<1 2>:DELTamarker<1...4>:FUNctioN:FIXed:RPOint:X	<numeric_value>	FSP: marker 1 can be moved independently from the reference point FSE: the marker and the reference point are linked to each other
FSP + FSE	CALCulate<1 2>:DELTamarker<1...4>:FUNctioN:FIXed:RPOint:Y	<numeric_value>	FSP: marker 1 can be moved independently from the reference point; FSE: the marker and the reference point are linked to each other
FSP + FSE	CALCulate<1 2>:DELTamarker<1...4>:FUNctioN:FIXed:RPOint:Y:OFFSet	<numeric_value>	
FSP	CALCulate<1 2>:DELTamarker<1...4>:FUNctioN:FIXed:RPOint:MAX:PEAK		new function for FSP
FSP + FSE	CALCulate<1 2>:DELTamarker<1...4>:FUNctioN:FIXed[:STATe]	ON OFF	
FSP + FSE	CALCulate<1 2>:DELTamarker<1...4>:FUNctioN:PNOise:RESult?		
FSP + FSE	CALCulate<1 2>:DELTamarker<1...4>:FUNctioN:PNOise[:STATe]	ON OFF	
FSE	CALCulate<1 2>:DELTamarker<1...4>:MAXimum:APEak		not available for FSP
FSP + FSE	CALCulate<1 2>:DELTamarker<1...4>:MAXimum:LEFT		
FSP + FSE	CALCulate<1 2>:DELTamarker<1...4>:MAXimum:NEXT		
FSP + FSE	CALCulate<1 2>:DELTamarker<1...4>:MAXimum:RIGHT		
FSP + FSE	CALCulate<1 2>:DELTamarker<1...4>:MAXimum[:PEAK]		
FSP + FSE	CALCulate<1 2>:DELTamarker<1...4>:MINimum:LEFT		
FSP + FSE	CALCulate<1 2>:DELTamarker<1...4>:MINimum:NEXT		
FSP + FSE	CALCulate<1 2>:DELTamarker<1...4>:MINimum:RIGHT		
FSP + FSE	CALCulate<1 2>:DELTamarker<1...4>:MINimum[:PEAK]		
FSP + FSE	CALCulate<1 2>:DELTamarker<1...4>:MODE	ABSolute RELative	
FSE	CALCulate<1 2>:DELTamarker<1...4>:STEP:AUTO	ON OFF	not available for FSP
FSE	CALCulate<1 2>:DELTamarker<1...4>:STEP[:INCRement]	<numeric_value>	not available for FSP
FSP + FSE	CALCulate<1 2>:DELTamarker<1...4>:TRACe	1 to 3	FSP: 3 traces are available per screen; FSE: 4 traces are available in full screen mode and 2 traces per screen in split screen mode
FSP + FSE	CALCulate<1 2>:DELTamarker<1...4>:X	0 to MAX (frequency sweep time)	unit 'SYM' is not available for FSP
FSP + FSE	CALCulate<1 2>:DELTamarker<1...4>:X:RELative		
FSP + FSE	CALCulate<1 2>:DELTamarker<1...4>:Y?		
FSP + FSE	CALCulate<1 2>:DELTamarker<1...4>[:STATe]	ON OFF	
FSP + FSE	CALCulate<1 2>:DLINe<1 2>	MIN to MAX	
FSP + FSE	CALCulate<1 2>:DLINe<1 2>:STATe	ON OFF	
FSE	CALCulate<1 2>:FEED	'XTIM:DDEM:MEAS' 'XTIM:DDEM:REF' 'XTIM:DDEM:ERR:MPH' 'XTIM:DDEM:ERR:VECT' 'XTIM:DDEM:SYMB' 'XTIM:AM' 'XTIM:FM' 'XTIM:PM' 'XTIM:AMSummary' 'XTIM:FMSummary' 'XTIM:PMSummary' 'TCAP'	not available for FSP
FSET	CALCulate<1 2>:FEED	'XTIM:DDEM:MEAS' 'XTIM:DDEM:REF' 'XTIM:DDEM:ERR:MPH' 'XTIM:DDEM:ERR:VECT' 'XTIM:DDEM:SYMB' 'TCAP'	not available for FSP
FSP + FSE	CALCulate<1 2>:FLINe<1 2>	0 to fmax	
FSP + FSE	CALCulate<1 2>:FLINe<1 2>:STATe	ON OFF	
FSE	CALCulate<1 2>:FORMat	MAGNitude PHASe UPHase RIMag FREQuency IEYE QEYE TEYE FEYE COMP CONS	not available for FSP
FSE	CALCulate<1 2>:FSK:DEViation:REFerence	<numeric value>	not available for FSP

Devices	Command	Parameter	Notes
FSE	CALCulate<1 2>:LIMit<1...8>:ACPoweR:ACHannel	0 to 100 DB, 0 to 100 DB	compatible to CALCulate<1 2>:LIMit<1...8>: ACPoweR:ACHannel [:RELative] of FSP not available for FSET
FSP	CALCulate<1 2>:LIMit<1...8>:ACPoweR:ACHannel:ABSolute	-200 to 200 DBM, -200 to 200 DBM	new function for FSP
FSP	CALCulate<1 2>:LIMit<1...8>:ACPoweR:ACHannel:ABSolute:STATe	ON OFF	new function for FSP
FSP + FSE	CALCulate<1 2>:LIMit<1...8>:ACPoweR:ACHannel:RESult?		
FSE	CALCulate<1 2>:LIMit<1...8>:ACPoweR:ACHannel:STATe	ON OFF	compatible to CALCulate<1 2>:LIMit<1...8>: ACPoweR:ACHannel[:RELativ e]:STATe of FSP not available for FSET
FSP	CALCulate<1 2>:LIMit<1...8>:ACPoweR:ACHannel[:RELative]	0 to 100 DB, 0 to 100 DB	compatible to CALCulate<1 2>:LIMit<1...8>: ACPoweR:ACHannel of FSE
FSP	CALCulate<1 2>:LIMit<1...8>:ACPoweR:ACHannel[:RELative]:STATe	ON OFF	compatible to CALCulate<1 2>:LIMit<1...8>: ACPoweR:ACHannel:STATe of FSE
FSE	CALCulate<1 2>:LIMit<1...8>:ACPoweR:ALTernate<1 2>	0 to 100 DB, 0 to 100 DB	compatible to CALCulate<1 2>:LIMit<1...8>: ACPoweR:ALTernate<1 2> [:RELative] of FSP not available for FSET
FSP	CALCulate<1 2>:LIMit<1...8>:ACPoweR:ALTernate<1 2>:ABSolute	-200 to 200 DBM, -200 to 200 DBM	new function for FSP
FSP	CALCulate<1 2>:LIMit<1...8>:ACPoweR:ALTernate<1 2>:ABSolute:STATe	ON OFF	new function for FSP
FSP + FSE	CALCulate<1 2>:LIMit<1...8>:ACPoweR:ALTernate<1 2>:RESult?		
FSE	CALCulate<1 2>:LIMit<1...8>:ACPoweR:ALTernate<1 2>:STATe	ON OFF	compatible to CALCulate<1 2>:LIMit<1...8>: ACPoweR:ALTernate<1 2> [:RELative]:STATe of FSP not available for FSET
FSP	CALCulate<1 2>:LIMit<1...8>:ACPoweR:ALTernate<1 2>[:RELative]	0 to 100 DB, 0 to 100 DB	compatible to CALCulate<1 2>:LIMit<1...8>: ACPoweR:ALTernate<1 2> of FSE
FSP	CALCulate<1 2>:LIMit<1...8>:ACPoweR:ALTernate<1 2>	ON OFF	compatible to CALCulate<1 2>:LIMit<1...8>: ACPoweR:ALTernate<1 2>: STATe of FSE
FSP + FSE	CALCulate<1 2>:LIMit<1...8>:ACPoweR[:STATe]	ON OFF	
FSE	CALCulate<1 2>:LIMit<1...8>:BURSt:POWeR?		not available for FSP, FSET and ESI
FSE	CALCulate<1 2>:LIMit<1...8>:BURSt:PTEMplate?		not available for FSP, FSET and ESI
FSP + FSE	CALCulate<1 2>:LIMit<1...8>:CLEar[:IMMediate]		
FSP + FSE	CALCulate<1 2>:LIMit<1...8>:COMMeNt	<string>	
FSP + FSE	CALCulate<1 2>:LIMit<1...8>:CONTRol:DOMain	FREQuency TIME	
FSP + FSE	CALCulate<1 2>:LIMit<1...8>:CONTRol:MODE	RELative ABSolute	
FSP + FSE	CALCulate<1 2>:LIMit<1...8>:CONTRol:OFFset	<numeric value>	
FSP + FSE	CALCulate<1 2>:LIMit<1...8>:CONTRol:SHIFt	<numeric_value>	
FSE	CALCulate<1 2>:LIMit<1...8>:CONTRol:SPACing	LINear LOGarithmic	not available for FSP
FSE	CALCulate<1 2>:LIMit<1...8>:CONTRol:UNIT[:TIME]	S SYM	not available for FSP
FSP + FSE	CALCulate<1 2>:LIMit<1...8>:CONTRol[:DATA]	<numeric value>, <numeric value>	
FSP + FSE	CALCulate<1 2>:LIMit<1...8>:COpy	1 to 8 -name>	
FSP + FSE	CALCulate<1 2>:LIMit<1...8>:DELeTe		
FSP + FSE	CALCulate<1 2>:LIMit<1...8>:FAIL?		
FSP + FSE	CALCulate<1 2>:LIMit<1...8>:LOWer:MARGin	<numeric value>	
FSP + FSE	CALCulate<1 2>:LIMit<1...8>:LOWer:MODE	RELative ABSolute	
FSP + FSE	CALCulate<1 2>:LIMit<1...8>:LOWer:OFFset	<numeric value>	
FSP + FSE	CALCulate<1 2>:LIMit<1...8>:LOWer:SHIFt	<numeric_value>	
FSE	CALCulate<1 2>:LIMit<1...8>:LOWer:SPACing	LINear LOGarithmic	not available for FSP
FSP + FSE	CALCulate<1 2>:LIMit<1...8>:LOWer:STATe	ON OFF	
FSP	CALCulate<1 2>:LIMit<1...8>:LOWer:THReshold	<numeric value>	new function for FSP

Devices	Command	Parameter	Notes
FSP + FSE	CALCulate<1 2>:LIMit<1...8>:LOWer[:DATA]	<numeric value>	
FSE	CALCulate<1 2>:LIMit<1...8>:MARGin	0 to 100DB	not available for FSP, FSET and ESI
FSP + FSE	CALCulate<1 2>:LIMit<1...8>:NAME	1 to 8 <string>	
FSE	CALCulate<1 2>:LIMit<1...8>:SPECTrum:MODulation:EXCeptions?	ARFCn TXBand RXBand COMBined DCSRx1800	not available for FSP, FSET and ESI
FSE	CALCulate<1 2>:LIMit<1...8>:SPECTrum:MODulation:FAILs?	ARFCn TXBand RXBand COMBined DCSRx1800	not available for FSP, FSET and ESI
FSE	CALCulate<1 2>:LIMit<1...8>:SPECTrum:MODulation?	ARFCn TXBand RXBand COMBined DCSRx1800	not available for FSP, FSET and ESI
FSE	CALCulate<1 2>:LIMit<1...8>:SPECTrum:SWITChing:FAILs?		not available for FSP, FSET and ESI
FSE	CALCulate<1 2>:LIMit<1...8>:SPECTrum:SWITChing?		not available for FSP, FSET and ESI
FSE	CALCulate<1 2>:LIMit<1...8>:SPURious:FAILs?	TXBand OTXBand RXBand IDLeband	not available for FSP, FSET and ESI
FSE	CALCulate<1 2>:LIMit<1...8>:SPURious?	TXBand OTXBand RXBand IDLeband	not available for FSP, FSET and ESI
FSP + FSE	CALCulate<1 2>:LIMit<1...8>:STATe	ON OFF	
FSP + FSE	CALCulate<1 2>:LIMit<1...8>:TRACe	1 to 3	FSP: 3 traces are available per screen FSE: 4 traces are available in full screen mode and 2 traces per screen in split screen mode
FSP	CALCulate<1 2>:LIMit<1...8>:UNIT	DBM DBPW WATT DBUV DBMV VOLT DBUA AMPere DB DBUV_M DBUA_M DEG RAD S HZ PCT UNITLESS	Available units are compatible to the FSE
FSE/ FSIQ	CALCulate<1 2>:LIMit<1...8>:UNIT	DBM DBPW WATT DBUV DBMV VOLT DBUA AMPere DB DBUV_MHZ DBMV_MHZ DBUA_MHZ DBUV_M DBUA_M DBUV_MHZ DBUA_MHZ DEG RAD S HZ PCT UNITLESS	only the following units are available for the FSP:DBM DBPW WATT DBUV DBMV VOLT DBUA AMPere DB DBUV_M DBUA_M DEG RAD S HZ PCT UNITLESS
FSET/ ESI	CALCulate<1 2>:LIMit<1...8>:UNIT	DBM DBPW WATT DBUV DBMV VOLT DBUA AMPere DB DBUV_MHZ DBMV_MHZ DBUA_MHZ DBUV_M DBUA_M DBUV_MHZ DBUA_MHZ DEG RAD S HZ PCT UNITLESS	only the following units are available for the FSP:DBM DBPW WATT DBUV DBMV VOLT DBUA AMPere DB DBUV_M DBUA_M DEG RAD S HZ PCT UNITLESS
FSP + FSE	CALCulate<1 2>:LIMit<1...8>:UPPer:MARGin	<numeric value>	
FSP + FSE	CALCulate<1 2>:LIMit<1...8>:UPPer:MODE	RELative ABSolute	
FSP + FSE	CALCulate<1 2>:LIMit<1...8>:UPPer:OFFset	<numeric value>	
FSP + FSE	CALCulate<1 2>:LIMit<1...8>:UPPer:SHIFt	<numeric_value>	
FSE	CALCulate<1 2>:LIMit<1...8>:UPPer:SPACing	LINear LOGarithmic	not available for FSP
FSP + FSE	CALCulate<1 2>:LIMit<1...8>:UPPer:STATe	ON OFF	
FSP	CALCulate<1 2>:LIMit<1...8>:UPPer:THReshold	<numeric value>	new function for FSP
FSP + FSE	CALCulate<1 2>:LIMit<1...8>:UPPer[:DATA]	<numeric value>	
FSP + FSE	CALCulate<1 2>:MARKer<1...4>:AOFF		
FSP + FSE	CALCulate<1 2>:MARKer<1...4>:COUNT	ON OFF	
FSP + FSE	CALCulate<1 2>:MARKer<1...4>:COUNT:FREQUency?		
FSP + FSE	CALCulate<1 2>:MARKer<1...4>:COUNT:RESolution	0.1 1 10 100 1000 10000 Hz	
FSE	CALCulate<1 2>:MARKer<1...4>:COUPled[STATe]	ON OFF	not available for FSP
FSE	CALCulate<1 2>:MARKer<1...4>:FUNCTion:ADEMod		not available for FSP and FSET
FSE	CALCulate<1 2>:MARKer<1...4>:FUNCTion:ADEMod:AM[:RESult]?	PPEak MPEak MIDDLE RMS	not available for FSP and FSET
FSE	CALCulate<1 2>:MARKer<1...4>:FUNCTion:ADEMod:CARRier		not available for FSP and FSET

Devices	Command	Parameter	Notes
FSE	CALCulate<1 2>:MARKer<1...4>:FUNction:ADEMod:FERRor		not available for FSP and FSET
FSE	CALCulate<1 2>:MARKer<1...4>:FUNction:ADEMod:FM	PPEak MPEak MIDDLE RMS RDEV	not available for FSP and FSET
FSE	CALCulate<1 2>:MARKer<1...4>:FUNction:ADEMod:PM	PPEak MPEak MIDDLE RMS	not available for FSP and FSET
FSE	CALCulate<1 2>:MARKer<1...4>:FUNction:ADEMod:SINad:RESult?		not available for FSP and FSET
FSE	CALCulate<1 2>:MARKer<1...4>:FUNction:ADEMod:SINad	ON OFF	not available for FSP and FSET
FSP + FSE	CALCulate<1 2>:MARKer<1...4>:FUNction:CENTer		
FSP + FSE	CALCulate<1 2>:MARKer<1...4>:FUNction:CSTep		
FSE	CALCulate<1 2>:MARKer<1...4>:FUNction:DDEMod:RESult?	MERM MEPK MEPS PERM PEPK PEPS EVRM EVPK EVPS IQOF IQIM ADR FERR FEPK RHO DEV FSRM FSPK FSPS DTTS	not available for FSP
FSP	CALCulate<1 2>:MARKer<1...4>:FUNction:DEModulation:CONTInuous		new function for FSP
FSP + FSE	CALCulate<1 2>:MARKer<1...4>:FUNction:DEModulation:HOLDoff	10ms to 1000s	
FSP + FSE	CALCulate<1 2>:MARKer<1...4>:FUNction:DEModulation:SElect	AM FM	
FSP + FSE	CALCulate<1 2>:MARKer<1...4>:FUNction:DEModulation[:STATe]	ON OFF	
FSP	CALCulate<1 2>:MARKer<1...4>:FUNction:FPEaks[:IMMediate]	<numeric value>	new function for FSP
FSP	CALCulate<1 2>:MARKer<1...4>:FUNction:FPEaks:COUNt?		new function for FSP
FSP	CALCulate<1 2>:MARKer<1...4>:FUNction:FPEaks:X?		new function for FSP
FSP	CALCulate<1 2>:MARKer<1...4>:FUNction:FPEaks:Y?		new function for FSP
FSP	CALCulate<1 2>:MARKer<1...4>:FUNction:FPEaks:SORT	X Y	new function for FSP
FSP	CALCulate<1 2>:MARKer<1...4>:FUNction:MDEPth:RESult?		new function for FSP
FSP	CALCulate<1 2>:MARKer<1...4>:FUNction:MDEPth[:STATe]		new function for FSP
FSP	CALCulate<1 2>:MARKer<1...4>:FUNction:MSUMmary?	<numeric value>, <numeric value>, <numeric value>, <numeric value>	new function for FSP
FSE	CALCulate<1 2>:MARKer<1...4>:FUNction:MSTep		not available for FSP
FSP + FSE	CALCulate<1 2>:MARKer<1...4>:FUNction:NDBDown	<numeric value>	
FSP + FSE	CALCulate<1 2>:MARKer<1...4>:FUNction:NDBDown:FREQuency?		
FSP + FSE	CALCulate<1 2>:MARKer<1...4>:FUNction:NDBDown:RESult?		
FSP + FSE	CALCulate<1 2>:MARKer<1...4>:FUNction:NDBDown:STATe	ON OFF	
FSP + FSE	CALCulate<1 2>:MARKer<1...4>:FUNction:NOISe:RESult?		
FSP + FSE	CALCulate<1 2>:MARKer<1...4>:FUNction:NOISe:STATe	ON OFF	
FSE	CALCulate<1 2>:MARKer<1...4>:FUNction:POWer:CFILter	ON OFF	not available for FSP
FSP + FSE	CALCulate<1 2>:MARKer<1...4>:FUNction:POWer:PRESet	NADC TETRA PDC PHS CDPD FWCDma RWCDma F8CDma R8CDma F19Cdma R19Cdma FW3Gppcdma RW3Gppcdma D2CDma S2CDma M2CDma NONE	available standards are compatible to the FSE
FSP	CALCulate<1 2>:MARKer<1...4>:FUNction:POWer:RESult:PHZ	ON OFF	new function for FSP
FSP + FSE	CALCulate<1 2>:MARKer<1...4>:FUNction:POWer:RESult?	ACPower CPOWer OBANdwidth OBWidth	CN and CN0 are not available on the FSP ACPower and CPOWer are not available on the FSET
FSP	CALCulate<1 2>:MARKer<1...4>:FUNction:POWer:SElect?	ACPower CPOWer OBANdwidth OBWidth	CN and CN0 are not available on the FSP
FSE	CALCulate<1 2>:MARKer<1...4>:FUNction:POWer:SElect?	ACPower CPOWer OBANdwidth OBWidth CN CN0	CN and CN0 are not available on the FSP and FSET
FSET	CALCulate<1 2>:MARKer<1...4>:FUNction:POWer:SElect?	OBANdwidth OBWidth	
FSP + FSE	CALCulate<1 2>:MARKer<1...4>:FUNction:POWer[:STATe]	OFF	
FSP + FSE	CALCulate<1 2>:MARKer<1...4>:FUNction:REFerence		
FSE	CALCulate<1 2>:MARKer<1...4>:FUNction:SFActor	(60dB/3dB) (60dB/6dB)	not available for FSP
FSE	CALCulate<1 2>:MARKer<1...4>:FUNction:SFActor:FREQuency?		not available for FSP
FSE	CALCulate<1 2>:MARKer<1...4>:FUNction:SFActor:RESult?		not available for FSP
FSE	CALCulate<1 2>:MARKer<1...4>:FUNction:SFActor:STATe	ON OFF	not available for FSP
FSE	CALCulate<1 2>:MARKer<1...4>:FUNction:STARt		not available for FSP

Devices	Command	Parameter	Notes
FSE	CALCulate<1 2>:MARKer<1...4>:FUNction:STOP		not available for FSP
FSP	CALCulate<1 2>:MARKer<1...4>:FUNction:STRack: BANDwidth BWIDth	10 Hz to MAX(span)	new function for FSP. Replaces DISP:FLINE of the FSE.
FSP	CALCulate<1 2>:MARKer<1...4>:FUNction:STRack:THReshold	-330 to +30 dBm	new function for FSP
FSP	CALCulate<1 2>:MARKer<1...4>:FUNction:STRack:TRACe	1 to 3	new function for FSP
FSP + FSE	CALCulate<1 2>:MARKer<1...4>:FUNction:STRack[:STATe]	ON OFF	
FSP + FSE	CALCulate<1 2>:MARKer<1...4>:FUNction:SUMMary:AOFF		
FSP + FSE	CALCulate<1 2>:MARKer<1...4>:FUNction:SUMMary:AVERage	ON OFF	
FSE	CALCulate<1 2>:MARKer<1...4>:FUNction:SUMMary:MAXimum: AVERage:RESult?		not available for FSP
FSE	CALCulate<1 2>:MARKer<1...4>:FUNction:SUMMary:MAXimum: PHOLd:RESult?		not available for FSP
FSE	CALCulate<1 2>:MARKer<1...4>:FUNction:SUMMary:MAXimum: RESult?		not available for FSP
FSE	CALCulate<1 2>:MARKer<1...4>:FUNction:SUMMary:MAXimum [:STATe]	ON OFF	not available for FSP
FSP + FSE	CALCulate<1 2>:MARKer<1...4>:FUNction:SUMMary:MEAN: AVERage:RESult?		
FSP + FSE	CALCulate<1 2>:MARKer<1...4>:FUNction:SUMMary:MEAN:PHOLd:R ESult?		
FSP + FSE	CALCulate<1 2>:MARKer<1...4>:FUNction:SUMMary:MEAN:RESult?		
FSP + FSE	CALCulate<1 2>:MARKer<1...4>:FUNction:SUMMary:MEAN[:STATe]	ON OFF	
FSE	CALCulate<1 2>:MARKer<1...4>:FUNction:SUMMary:MIDDLE: AVERage:RESult?		not available for FSP
FSE	CALCulate<1 2>:MARKer<1...4>:FUNction:SUMMary:MIDDLE: PHOLd:RESult?		not available for FSP
FSE	CALCulate<1 2>:MARKer<1...4>:FUNction:SUMMary:MIDDLE: RESult?		not available for FSP
FSE	CALCulate<1 2>:MARKer<1...4>:FUNction:SUMMary:MIDDLE [:STATe]	ON OFF	not available for FSP
FSP	CALCulate<1 2>:MARKer<1...4>:FUNction:SUMMary:MODE	ABSolute RELative	new function for FSP
FSE	CALCulate<1 2>:MARKer<1...4>:FUNction:SUMMary:MPEak: AVERage:RESult?		not available for FSP
FSE	CALCulate<1 2>:MARKer<1...4>:FUNction:SUMMary:MPEak: PHOLd:RESult?		not available for FSP
FSE	CALCulate<1 2>:MARKer<1...4>:FUNction:SUMMary:MPEak: RESult?		not available for FSP
FSE	CALCulate<1 2>:MARKer<1...4>:FUNction:SUMMary:MPEak [:STATe]	ON OFF	not available for FSP
FSP + FSE	CALCulate<1 2>:MARKer<1...4>:FUNction:SUMMary:PHOLd	ON OFF	
FSP + FSE	CALCulate<1 2>:MARKer<1...4>:FUNction:SUMMary:PPEak: AVERage:RESult?		
FSP + FSE	CALCulate<1 2>:MARKer<1...4>:FUNction:SUMMary:PPEak:PHOLd:R ESult?		
FSP + FSE	CALCulate<1 2>:MARKer<1...4>:FUNction:SUMMary:PPEak:RESult?		
FSP + FSE	CALCulate<1 2>:MARKer<1...4>:FUNction:SUMMary:PPEak[:STATe]	ON OFF	
FSP	CALCulate<1 2>:MARKer<1...4>:FUNction:SUMMary:REfERENCE: AUTO	ONCE	new function for FSP
FSP + FSE	CALCulate<1 2>:MARKer<1...4>:FUNction:SUMMary:RMS:AVERage:R ESult?		
FSP + FSE	CALCulate<1 2>:MARKer<1...4>:FUNction:SUMMary:RMS:PHOLd: RESult?		
FSP + FSE	CALCulate<1 2>:MARKer<1...4>:FUNction:SUMMary:RMS:RESult?		
FSP + FSE	CALCulate<1 2>:MARKer<1...4>:FUNction:SUMMary:RMS[:STATe]	ON OFF	
FSP	CALCulate<1 2>:MARKer<1...4>:FUNction:SUMMary:SDEviation: RESult?		new function for FSP
FSP	CALCulate<1 2>:MARKer<1...4>:FUNction:SUMMarySDEviation: AVERage:RESult?		new function for FSP
FSP	CALCulate<1 2>:MARKer<1...4>:FUNction:SUMMary:SDEviation: PHOLd:RESult?		new function for FSP
FSP	CALCulate<1 2>:MARKer<1...4>:FUNction:SUMMary:SDEviation [:STATe]	ON OFF	new function for FSP
FSP + FSE	CALCulate<1 2>:MARKer<1...4>:FUNction:SUMMary[:STATe]	ON OFF	
FSP	CALCulate<1 2>:MARKer<1...4>:FUNction:TOI:RESult?		new function for FSP
FSP	CALCulate<1 2>:MARKer<1...4>:FUNction:TOI[:STATe]	ON OFF	new function for FSP
FSP + FSE	CALCulate<1 2>:MARKer<1...4>:FUNction:ZOOM	<numeric value>	FSP: function uses always marker 1 as its reference marker; FSE: all available markers can be used as a reference marker

Devices	Command	Parameter	Notes
FSP + FSE	CALCulate<1 2>:MARKer<1...4>:LOEXclude	ON OFF	
FSE	CALCulate<1 2>:MARKer<1...4>:MAXimum:APEak		not available for FSP
FSP + FSE	CALCulate<1 2>:MARKer<1...4>:MAXimum:LEFT		
FSP + FSE	CALCulate<1 2>:MARKer<1...4>:MAXimum:NEXT		
FSP + FSE	CALCulate<1 2>:MARKer<1...4>:MAXimum:RIGHT		
FSP + FSE	CALCulate<1 2>:MARKer<1...4>:MAXimum[:PEAK]		
FSP + FSE	CALCulate<1 2>:MARKer<1...4>:MINimum:LEFT		
FSP + FSE	CALCulate<1 2>:MARKer<1...4>:MINimum:NEXT		
FSP + FSE	CALCulate<1 2>:MARKer<1...4>:MINimum:RIGHT		
FSP + FSE	CALCulate<1 2>:MARKer<1...4>:MINimum[:PEAK]		
FSP + FSE	CALCulate<1 2>:MARKer<1...4>:PEXCursion	<numeric value>	
FSE	CALCulate<1 2>:MARKer<1...4>:READout	MPHase RIMaginary	not available for FSP
FSE	CALCulate<1 2>:MARKer<1...4>:SCOupled[STATe]	ON OFF	not available for FSP
FSE	CALCulate<1 2>:MARKer<1...4>:STEP:AUTO	ON OFF	not available for FSP
FSE	CALCulate<1 2>:MARKer<1...4>:STEP[:INCRement]	<numeric_value>	not available for FSP
FSP + FSE	CALCulate<1 2>:MARKer<1...4>:TRACe	1 to 3	FSP: 3 traces are available per screen FSE: 4 traces are available in full screen mode and 2 traces per screen in split screen mode
FSP + FSE	CALCulate<1 2>:MARKer<1...4>:X	0 to MAX (frequency sweep time)	additional unit SYM is available for FSE
FSP	CALCulate<1 2>:MARKer<1...4>:X:SLIMits:LEFT	0 to MAX (frequency sweep time)	new function for FSP. Replaces DISP:FLIN and DISP:TLIN commands of the FSE
FSP	CALCulate<1 2>:MARKer<1...4>:X:SLIMits:RIGHT	0 to MAX (frequency sweep time)	new function for FSP. Replaces DISP:FLIN and DISP:TLIN commands of the FSE
FSP + FSE	CALCulate<1 2>:MARKer<1...4>:X:SLIMits[:STATe]	ON OFF	
FSP + FSE	CALCulate<1 2>:MARKer<1...4>:Y?		
FSP	CALCulate<1 2>:MARKer<1...4>:Y:PERCent	<numeric_value>	new function for FSP
FSP + FSE	CALCulate<1 2>:MARKer<1...4>[:STATe]	ON OFF	
FSP	CALCulate<1 2>:MATH:MODE	LINear LOGarithmic	affects all traces on the FSP; therefore the numeric suffix :MATH<1...4> is not allowed for the FSP
FSE	CALCulate<1 2>:MATH<1...4>:MODE	LINear LOGarithmic	for FSE, only the trace indicated by a numeric suffix is affected
FSP	CALCulate<1 2>:MATH:POS	-100PCT to 200PCT	new function for FSP; replacement for CALC:RLINE of the FSE
FSP + FSE	CALCulate<1 2>:MATH:STATe	ON OFF	for FSP, traces can only be subtracted from trace 1; therefore there is no numeric suffix behind :MATH
FSP + FSE	CALCulate<1 2>:MATH[:EXPRession][:DEFine]	<expr>	for FSP, traces can only be subtracted from trace 1; therefore there is no numeric suffix behind :MATH and <expr> may only consist of (TRACE1-TRACE2) or (TRACE1-TRACE3)
FSE	CALCulate<1 2>:RLINe	MIN to MAX	not available for FSP (replaced by CALC:MATH:POS)
FSE	CALCulate<1 2>:RLINe:STATe	ON OFF	not available for FSP (replaced by CALC:MATH:POS)
FSP + FSE	CALCulate<1 2>:THReshold	MIN to MAX	
FSP + FSE	CALCulate<1 2>:THReshold:STATe	ON OFF	
FSE	CALCulate<1 2>:TLINe<1 2>	0 to 1000s	not available on the FSP; replaced by CALC:SLIMits:LEFT and CALC:SLIMits:RIGHT

Devices	Command	Parameter	Notes
FSE	CALCulate<1 2>:TLINe<1 2>:STATe	ON OFF	not available on the FSP; replaced by CALC:SLIMits:LEFT and CALC:SLIMits:RIGHT
FSE	CALCulate<1 2>:UNIT:ANGLE	DEG RAD	not available for FSP
FSP	CALCulate<1 2>:UNIT:POWer	DBM V A W DBPW WATT DBUV DBMV VOLT DBUA AMPere	available units are compatible to the FSE
FSET/ ESI	CALCulate<1 2>:UNIT:POWer	DBM V W DB PCT UNITLESS DBPW WATT DBUV DBMV VOLT DBUA AMPere DBPT DBUV_MHZ DBMV_MHZ DBUA_MHZ DBUV_M DBUA_M DBUV_MMHZ DBUA_MMHZ	the FSP supports the following units:DBM V A W DBPW WATT DBUV DBMV VOLT DBUA AMPere
FSE/ FSIQ	CALCulate<1 2>:UNIT:POWer	DBM V W DB PCT UNITLESS DBPW WATT DBUV DBMV VOLT DBUA AMPere DBUV_MHZ DBMV_MHZ DBUA_MHZ DBUV_M DBUA_M DBUV_MMHZ DBUA_MMHZ	the FSP supports the following units:DBM V A W DBPW WATT DBUV DBMV VOLT DBUA AMPere
FSE	CALCulate<1 2>:X:UNIT:TIME	S SYM	not available for FSP
FSP	CALibration:ABORt		new function for FSP
FSE	CALibration:BANDwidth BWIDth[:RESolution]?		not available for FSP
FSE	CALibration:IQ?		not available for FSP
FSE	CALibration:LDETEctor?		not available for FSP
FSE	CALibration:LOSuppression?		not available for FSP
FSE	CALibration:PPEak?		not available for FSP
ESI	CALibration:PRESelector?		not available for FSP
FSP	CALibration:RESult?		new function for FSP
FSE	CALibration:SHORT?		not available for FSP
FSP + FSE	CALibration:STATe	ON OFF	
FSP + FSE	CALibration[:ALL]?		
FSE	CONFigure:BURSt:PFERror:COUNT	1 to 1000	not available for FSP and FSET
FSE	CONFigure:BURSt:PFERror[IMMediate]		not available for FSP and FSET
FSE	CONFigure:BURSt:POWer:CONDition	NORMal EXTReMe	not available for FSP and FSET
FSE	CONFigure:BURSt:POWer:COUNT	1 to 1000	not available for FSP and FSET
FSE	CONFigure:BURSt:POWer[IMMediate]		not available for FSP and FSET
FSE	CONFigure:BURSt:PTEMplate:[IMMediate]		not available for FSP and FSET
FSE	CONFigure:BURSt:PTEMplate:COUNT	1 to 1000	not available for FSP and FSET
FSE	CONFigure:BURSt:PTEMplate:SElect	FULL TOP RISing FALLing	not available for FSP and FSET
FSE	CONFigure:BURSt:REFErence:AUTO	ON OFF	not available for FSP and FSET
FSE	CONFigure:SPECTrum:MODulation:COUNT	1 to 1000	not available for FSP and FSET
FSE	CONFigure:SPECTrum:MODulation:RANGE	ARFCn TXBand RXBand COMBined DCSRx1800	not available for FSP and FSET
FSE	CONFigure:SPECTrum:MODulation:TGATe	ON OFF	not available for FSP and FSET
FSE	CONFigure:SPECTrum:MODulation[:IMMediate]		not available for FSP and FSET
FSE	CONFigure:SPECTrum:SWITChing:COUNT	1 to 1000	not available for FSP and FSET
FSE	CONFigure:SPECTrum:SWITChing[:IMMediate]		not available for FSP and FSET
FSE	CONFigure:SPURious:ANTenna	CONDucted RADiated	not available for FSP and FSET

Devices	Command	Parameter	Notes
FSE	CONFigure:SPURious:COUN:RXBandt	1 to 1000	not available for FSP and FSET
FSE	CONFigure:SPURious:COUNT	1 to 1000	not available for FSP and FSET
FSE	CONFigure:SPURious:RANGE	TXBand OTXBand RXBand IDLeband COMBined	not available for FSP and FSET
FSE	CONFigure:SPURious:STEP:COUNT?		not available for FSP and FSET
FSE	CONFigure:SPURious:STEP<1..26>	ON OFF	not available for FSP and FSET
FSE	CONFigure:SPURious:IMMediate]		not available for FSP and FSET
FSE	CONFigure[:BTS]:ARFCn	<numeric_value>	not available for FSP and FSET
FSE	CONFigure[:BTS]:ARFCn:AUTO	ONCE	not available for FSP and FSET
FSE	CONFigure[:BTS]:CHANnel:SFH	ON OFF	not available for FSP and FSET
FSE	CONFigure[:BTS]:CHANnel:SLOT	0 to 7	not available for FSP and FSET
FSE	CONFigure[:BTS]:CHANnel:SLOT:AUTO	ONCE	not available for FSP and FSET
FSE	CONFigure[:BTS]:CHANnel:TSC	0 to 7	not available for FSP and FSET
FSE	CONFigure[:BTS]:CHANnel:TSC:AUTO	ON OFF	not available for FSP and FSET
FSE	CONFigure[:BTS]:COSiting	ON OFF	not available for FSP and FSET
FSE	CONFigure[:BTS]:LIMit:FREQency	<numeric_value>	not available for FSP and FSET
FSE	CONFigure[:BTS]:LIMit:PPEak	<numeric_value>	not available for FSP and FSET
FSE	CONFigure[:BTS]:LIMit:PRMS	<numeric_value>	not available for FSP and FSET
FSE	CONFigure[:BTS]:LIMit:STANdard	ON OFF	not available for FSP and FSET
FSE	CONFigure[:BTS]:NETWork:PHASe	1 2[,PLUS]	not available for FSP and FSET
FSE	CONFigure[:BTS]:NETWork[:TYPE]	PGSM PGSM900 EGSM EGSM900 DCS GSM1800 PCS GSM1900 RGSM RGSM900	not available for FSP and FSET
FSE	CONFigure[:BTS]:POWer:CLASs	1 to 8 1 to 4 M1 M2 M3	not available for FSP and FSET
FSE	CONFigure[:BTS]:POWer:COUPled	ON OFF	not available for FSP and FSET
FSE	CONFigure[:BTS]:POWer:DYNamic	0 to 15	not available for FSP and FSET
FSE	CONFigure[:BTS]:POWer:EXPEcted	<numeric_value>	not available for FSP and FSET
FSE	CONFigure[:BTS]:POWer:LIMit	<numeric_value>	not available for FSP and FSET
FSE	CONFigure[:BTS]:POWer:SINgle:CLEar		not available for FSP and FSET
FSE	CONFigure[:BTS]:POWer:SINgle[:STATe]	ON OFF	not available for FSP and FSET
FSE	CONFigure[:BTS]:POWer:STATic	0 to 6	not available for FSP and FSET
FSE	CONFigure[:BTS]:PRESet		not available for FSP and FSET
FSE	CONFigure[:BTS]:SWEeptime	STANdard AUTO	not available for FSP and FSET
FSE	CONFigure[:BTS]:TXSupp	ON OFF	not available for FSP and FSET
FSE	CONFigure[:BTS]:MEASurement?		not available for FSP and FSET
FSE	CONFigure[:MS]:ARFCn	<numeric_value>	not available for FSP and FSET

Devices	Command	Parameter	Notes
FSE	CONFigure[:MS]:ARFCn:AUTO	ONCE	not available for FSP and FSET
FSE	CONFigure[:MS]:CHANnel:SFH	ON OFF	not available for FSP and FSET
FSE	CONFigure[:MS]:CHANnel:TSC	0 to 7	not available for FSP and FSET
FSE	CONFigure[:MS]:LIMIt:FREQuency	<numeric_value>	not available for FSP and FSET
FSE	CONFigure[:MS]:LIMIt:PPEak	<numeric_value>	not available for FSP and FSET
FSE	CONFigure[:MS]:LIMIt:PRMS	<numeric_value>	not available for FSP and FSET
FSE	CONFigure[:MS]:LIMIt:STANdard	ON OFF	not available for FSP and FSET
FSE	CONFigure[:MS]:NETWork:PHASe	1 2[,PLUS]	not available for FSP and FSET
FSE	CONFigure[:MS]:NETWork[:TYPE]	PGSM PGSM900 EGSM EGSM900 DCS GSM1800 PCS GSM1900 RGSM RGSM900	not available for FSP and FSET
FSE	CONFigure[:MS]:POWer:CLASs	<numeric_value>	not available for FSP and FSET
FSE	CONFigure[:MS]:POWer:COUPlEd	ON OFF	not available for FSP and FSET
FSE	CONFigure[:MS]:POWer:EXPEctEd	<numeric_value>	not available for FSP and FSET
FSE	CONFigure[:MS]:POWer:LEVel	0 to 31	not available for FSP and FSET
FSE	CONFigure[:MS]:POWer:LIMIt	<numeric_value>	not available for FSP and FSET
FSE	CONFigure[:MS]:POWer:SINGle:CLEar		not available for FSP and FSET
FSE	CONFigure[:MS]:POWer:SINGle[:STATe]	ON OFF	not available for FSP and FSET
FSE	CONFigure[:MS]:POWer:SMALl	ON OFF	not available for FSP and FSET
FSE	CONFigure[:MS]:PRESet		not available for FSP and FSET
FSE	CONFigure[:MS]:SWEeptime	STANdard AUTO	not available for FSP and FSET
FSE	CONFigure[:MS]:TXSupp	ON OFF	not available for FSP and FSET
FSE	CONFigure[:MS]MEASurement?		not available for FSP and FSET
FSET	DIAGnostic:INFO:CCOunt:ATTenuation?		not available for FSP
FSE	DIAGnostic:INFO:CCOunt:ATTenuation<1 10>?		not available for FSP
FSIQ	DIAGnostic:INFO:CCOunt:ATTenuation<1 2 3>?		not available for FSP
ESI	DIAGnostic:INFO:CCOunt:ATTenuation<1 2 4>?		not available for FSP
FSE	DIAGnostic:INFO:CCOunt:PRESelector<1..6>?		not available for FSP
FSP	DIAGnostic:SERVice:CSOource[:POWer]	<numeric_value>	new function for FSP
FSE	DIAGnostic:SERVice:FUNCTion	<numeric_value>, <numeric_value> to	not available for FSP. Replaced by DIAG:SERV:SFUNCTion
FSET	DIAGnostic:SERVice:HGENerator	OFF 10 kHz 100 kHz BALanced	not available for FSP
FSP	DIAGnostic:SERVice:HWINfo?		new function for FSP
FSP + FSE	DIAGnostic:SERVice:INPut[:SELect]	CALibration RF	
FSP	DIAGnostic:SERVice:INPut:PULSed[:STATe]	ON OFF	new command for FSP
FSP	DIAGnostic:SERVice:INPut:PULSed:PRATe	<numeric value>	new command for FSP
FSP + FSE	DIAGnostic:SERVice:NSOource	ON OFF	
FSP	DIAGnostic:SERVice:SFUNCTion	<string> to	replacement for DIAG:SERV:FUNCT of FSP; necessary due to different parameter formats needed on the FSP
FSP	DIAGnostic:SERVice:STESt:RESUlt?		new function for FSP

Devices	Command	Parameter	Notes
FSP + FSE	DISPlay:ANNotation:FREQuency	ON OFF	
	DISPlay:BARGraph:LEVel:LOWer		not available for FSP
	DISPlay:BARGraph:LEVel:UPPer		not available for FSP
FSP + FSE	DISPlay:CMAP<1...26>:DEFault<1 2>		larger selection of independently configurable items (1 to 26)
FSP + FSE	DISPlay:CMAP<1...26>:HSL	0 to 1,0 to 1,0 to 1	larger selection of independently configurable items (1 to 26)
FSP + FSE	DISPlay:CMAP<1...26>:PDEFined	<color>	larger selection of independently configurable items (1 to 26)
FSP + FSE	DISPlay:FORmat	SINGLE SPLit	
FSP + FSE	DISPlay:LOGO	ON OFF	
FSE	DISPlay:PROGram[:MODE]	ON OFF	not available for FSP
FSP + FSE	DISPlay:PSAVe:HOLDoff	0 to 60	
FSP + FSE	DISPlay:PSAVe[:STATe]	ON OFF	
FSE	DISPlay[:WINDow<1 2>]:FEED	'AF' 'VIDeo'	not available for FSP
FSE	DISPlay[:WINDow<1 2>]:MINFo	ON OFF	not available for FSP
FSP	DISPlay[:WINDow<1 2>]:SELEct		new function for FSP
FSP	DISPlay[:WINDow<1 2>]:SIZE	LARGE SMALL	new function for FSP
FSP + FSE	DISPlay[:WINDow<1 2>]:TEXT:STATe	ON OFF	
FSP + FSE	DISPlay[:WINDow<1 2>]:TEXT[:DATA]	<string>	
FSP + FSE	DISPlay[:WINDow<1 2>]:TIME	ON OFF	
FSP + FSE	DISPlay[:WINDow<1 2>]:TRACe<1...3>:MODE	WRITE VIEW AVERage MAXHold MINHold	FSP: 3 traces are available per screen FSE: 4 traces are available in full screen mode and 2 traces per screen in split screen mode
FSE	DISPlay[:WINDow<1 2>]:TRACe<1...4>:EYE:COUNT	1 to Result Length	not available for FSP
FSE	DISPlay[:WINDow<1 2>]:TRACe<1...4>:MODE:ANALog	ON OFF	not available for FSP
FSE	DISPlay[:WINDow<1 2>]:TRACe<1...4>:MODE:CWRite	ON OFF	not available for FSP
FSE	DISPlay[:WINDow<1 2>]:TRACe<1...4>:MODE:HCONTinuous	ON OFF	not available for FSP
FSE	DISPlay[:WINDow<1 2>]:TRACe<1...4>:SYMBOL	DOTS BARS OFF	not available for FSP
FSE	DISPlay[:WINDow<1 2>]:TRACe<1...4>:X:SPACing	LINEar LOGarithmic	not available for FSP
FSE	DISPlay[:WINDow<1 2>]:TRACe<1...4>:X[:SCALE]:RVALue	<numeric value>	not available for FSP
FSE	DISPlay[:WINDow<1 2>]:TRACe<1...4>:X[:SCALE]:ZOOM	ON OFF	not available for FSP
FSE	DISPlay[:WINDow<1 2>]:TRACe<1...4>:X[:SCALE]:ZOOM [:FREQuency]:CENTer	<numeric_value>	not available for FSP
FSE	DISPlay[:WINDow<1 2>]:TRACe<1...4>:X[:SCALE]:ZOOM [:FREQuency]:	<numeric_value>	not available for FSP
FSP	DISPlay[:WINDow<1 2>]:TRACe<1...3>:Y:SPACing	LINEar LOGarithmic	FSP: TRACe<1...3>
FSE	DISPlay[:WINDow<1 2>]:TRACe<1...4>:Y:SPACing	LINEar LOGarithmic PERCent	PERCent is not available for FSP + FSE: TRACe<1...4>
FSP + FSE	DISPlay[:WINDow<1 2>]:TRACe<1...3>:Y[:SCALE]	10dB to 200dB	FSP: TRACe<1...3> FSE: TRACe<1...4>
FSET/ESI	DISPlay[:WINDow<1 2>]:TRACe<1...4>:Y[:SCALE]:BOTTom	<numeric value>	not available for FSP
FSP + FSE	DISPlay[:WINDow<1 2>]:TRACe<1...3>:Y[:SCALE]:MODE	ABSolute RELative	FSP: TRACe<1...3> FSE: TRACe<1...4>
FSE	DISPlay[:WINDow<1 2>]:TRACe<1...4>:Y[:SCALE]:PDIVision		not available for FSP
FSP + FSE	DISPlay[:WINDow<1 2>]:TRACe<1...3>:Y[:SCALE]:RLEVel	-130dBm to 30dBm	FSP: TRACe<1...3> FSE: TRACe<1...4>
FSP + FSE	DISPlay[:WINDow<1 2>]:TRACe<1...3>:Y[:SCALE]:RLEVel:OFFSet	-200dB to 200dB	FSP: TRACe<1...3> FSE: TRACe<1...4>
FSP + FSE	DISPlay[:WINDow<1 2>]:TRACe<1...3>:Y[:SCALE]:RPOSITION	0 to 100 PCT	FSP: TRACe<1...3> FSE: TRACe<1...4>
FSP + FSE	DISPlay[:WINDow<1 2>]:TRACe<1...3>:Y[:SCALE]:RVALue	<numeric value>	FSP: TRACe<1...3> FSE: TRACe<1...4>
FSE	DISPlay[:WINDow<1 2>]:TRACe<1...4>:Y[:SCALE]:RVALue:AUTO	ON OFF	not available for FSP
FSET/ESI	DISPlay[:WINDow<1 2>]:TRACe<1...4>:Y[:SCALE]:TOP	<numeric value>	not available for FSP

Devices	Command	Parameter	Notes
FSP	DISPlay[:WINDow<1 2>]:TRACe<1...3>[:STATe]	ON OFF	FSP: TRACe<1...3> FSE: TRACE<1...4>
FSE	FETCh:BURSt:FERRor:AVERAge?		not available for FSP and FSET
FSE	FETCh:BURSt:FERRor:MAXimum?		not available for FSP and FSET
FSE	FETCh:BURSt:FERRor:STATus?		not available for FSP and FSET
FSE	FETCh:BURSt:PERRor:PEAK:AVERAge?		not available for FSP and FSET
FSE	FETCh:BURSt:PERRor:PEAK:MAXimum?		not available for FSP and FSET
FSE	FETCh:BURSt:PERRor:PEAK:STATus?		not available for FSP and FSET
FSE	FETCh:BURSt:PERRor:RMS:AVERAge?		not available for FSP and FSET
FSE	FETCh:BURSt:PERRor:RMS:MAXimum?		not available for FSP and FSET
FSE	FETCh:BURSt:PERRor:RMS:STATus?		not available for FSP and FSET
FSE	FETCh:BURSt:POWER[:IMMediate]?		not available for FSP and FSET
FSE	FETCh:MODulation[:ALL]?	ARFCn TXBand RXBand COMBined DCSRx1800	not available for FSP and FSET
FSE	FETCh:PTEmplate:REFerence?	TXBand	not available for FSP and FSET
FSE	FETCh:SPECTrum:MODulation:REFerence?	TXBand	not available for FSP and FSET
FSE	FETCh:SPECTrum:SWITChing:REFerence?	TXBand	not available for FSP and FSET
FSE	FETCh:SPECTrum:SWITChing[:ALL]?		not available for FSP and FSET
FSE	FETCh:SPURious:STEP?		not available for FSP and FSET
FSE	FETCh:SPURious[:ALL]?	TXBand OTXBand RXBand IDLeband	not available for FSP and FSET
FSE	FORMat:DEXPort:APPend[:STATe] ON OFF[,32]		not available for FSP
FSP + FSE	FORMat:DEXPort:DSEParator	POINT COMMa	
FSE	FORMat:DEXPort:HEADer[:STATe] ON OFF[,32]		not available for FSP
FSP	FORMat[:DATA]	ASCIi REAL[,32]	
FSE	FORMat[:DATA]	ASCIi REAL UINt [,32]	UINt is not available for FSP
FSP + FSE	HCOPy:ABORt		
FSP	HCOPy:CMAP:DEFault		new function for FSP
FSP	HCOPy:CMAP:HSL	<numeric value>, <numeric value>, <numeric value>	new function for FSP
FSP	HCOPy:CMAP:PDEFined	<char data>	new function for FSP
FSP	HCOPy:DESTination<1 2>	'MMEM' 'SYST:COMM:PRIN' 'SYST:COMM:CLIP'	
FSE/	HCOPy:DESTination<1 2>	'SYST:COMM:GPIB' 'SYST:COMM:SER1' 'SYST:COMM:SER2' 'SYST:COMM:CENt' 'MMEM' 'SYST:COMM:PRIN' SYST :COMM:CLIP'	SYST:COMM:GPIB/SER1/SE R2 is not available for FSP
FSIQ/ ESI	HCOPy:DESTination<1 2>	"MMEM" 'SYST:COMM:PRIN' 'SYST:COMM:CLIP'	
FSP + FSE	HCOPy:DEVice:COLor	ON OFF	
FSP	HCOPy:DEVice:LANGuage<1 2>	GDI WMF EWMF BMP	
FSE/	HCOPy:DEVice:LANGuage<1 2>	HPGL PCL4 PCL5 POSTscript ESCP WMF PCX HP7470 to	
FSIQ/ ESI	HCOPy:DEVice:LANGuage<1 2>	WMF GDI EWMF BMP to	
FSE/	HCOPy:DEVice:PRESet<1 2>	ON OFF	not available for FSP

Devices	Command	Parameter	Notes
FSE/	HCOPY:DEVIce:RESolution<1 2>	150 300	not available for FSP
FSP + FSE	HCOPY:ITEM:ALL		
FSE	HCOPY:ITEM:FFEEed<1 2>:STATe	ON OFF	not available for FSP
FSE	HCOPY:ITEM:LABel:TEXT	<string>	not available for FSP
FSE	HCOPY:ITEM:PFEEed<1 2>:STATe	ON OFF	not available for FSP
FSP + FSE	HCOPY:ITEM:WINDow<1 2>:TABLE:STATe	ON OFF	
FSP + FSE	HCOPY:ITEM:WINDow<1 2>:TEXT	<string>	
FSE	HCOPY:ITEM:WINDow<1 2>:TRACe:CAINcrement	ON OFF	not available for FSP
FSP + FSE	HCOPY:ITEM:WINDow<1 2>:TRACe:STATe	ON OFF	
FSE	HCOPY:PAGE:DIMensions:FULL		not available for FSP
FSE	HCOPY:PAGE:DIMensions:QUADrant<1...4>		not available for FSP
FSP + FSE	HCOPY:PAGE:ORientation<1 2>	LANDscape PORTrait	
FSP + FSE	HCOPY[:IMMediate]		
FSET/ ESI	HOLD		not available for FSP
FSP + FSE	INITiate<1 2>:CONMeas	ON OFF	
FSP + FSE	INITiate<1 2>:CONTInuous	ON OFF	
FSP + FSE	INITiate<1 2>:DISPlay	ON OFF	
FSP + FSE	INITiate<1 2>[:IMMediate]		
FSET	INPut:PRESelection:CATalog?		not available for FSP
FSET	INPut:PRESelection:USET:NAME	'name of user defined preselector set (to edit existing set or to create new set)'	not available for FSP
FSET	INPut:PRESelection:USET:CLEar		not available for FSP
FSET	INPut:PRESelection:USET:COMMeNt	'comment for preselector-set'	not available for FSP
FSET	INPut:PRESelection:USET:LRANge[:DATA]	<numeric value>, <numeric value>, <numeric_value>	not available for FSP
FSET	INPut:PRESelection:USET:MRANge[:DATA]	<numeric value>, <numeric value>, <numeric_value>, <numeric_value>	not available for FSP
FSP + FSE	INPut<1 2>:ATTenuation	0 to 70dB	
FSET	INPut<1 2>:ATTenuation	0 to 70 80dB	80 dB not available for FSP
FSP + FSE	INPut<1 2>:ATTenuation:AUTO	ON OFF	
FSE	INPut<1 2>:ATTenuation:AUTO:MODE	NORMal LNOise LDISTorsion	not available for FSP
FSET/ ESI	INPut<1 2>:ATTenuation:PROTection	ON OFF	not available for FSP
FSU	INPut<1 2>:ATTenuation:PROTection:PRESet		new function for FSU
FSET	INPut<1 2>:ATTenuation:STEPsize	1dB 10dB	not available for FSP
FSET	INPut<1 2>:BIMPedance	150OHM 600OHM 10KOHM	not available for FSP
FSET	INPut<1 2>:COUPling	AC DC	not available for FSP
FSP	INPut<1 2>:EATT	0 to 30dB	new function for FSP
FSP	INPut<1 2>:EATT:AUTO	ON OFF	new function for FSP
FSP	INPut<1 2>:EATT:STATe	ON OFF	new function for FSP
FSET	INPut<1 2>:GAIN	0 to 30dB	not available for FSP
FSET/ ESI	INPut<1 2>:GAIN:AUTO	ON OFF	not available for FSP
FSP + FSE	INPut<1 2>:GAIN:STATe	ON OFF	
FSP + FSE	INPut<1 2>:IMPedance	50 75	
FSE	INPut<1 2>:IMPedance:CORRection	RAM RAZ	not available for FSP
FSET	INPut<1 2>:LISN:PEARth	GRounded FLOating	not available for FSP
FSET	INPut<1 2>:LISN:PHASe	L1 L2 L3 N	not available for FSP
FSET	INPut<1 2>:LISN[:TYPE]	TWOphase FOURphase OFF	not available for FSP
FSP + FSE	INPut<1 2>:MIXer	<numeric value>	not available for FSP
FSU	INPut<1 2>:MIXer[:POWER]:AUTO	ON OFF	new function for FSU
FSET	INPut<1 2>:PRESelection:COUPling	ON OFF	not available for FSP
FSET	INPut<1 2>:PRESelection:COUPling:HIGh:FREQuency	5MHz to 500MHz	not available for FSP

Devices	Command	Parameter	Notes
FSET	INPut<1 2>:PRESelection:COUPling:HIGH:SET	'name of preselector set for high RBW'	not available for FSP
FSET	INPut<1 2>:PRESelection:COUPling:LOW:FREQuency	10Hz to 5MHz	not available for FSP
FSET	INPut<1 2>:PRESelection:COUPling:LOW:SET	"name of preselector set for low RBW"	not available for FSP
FSET	INPut<1 2>:PRESelection:COUPling:MID:SET	"name of preselector set for medium RBW"	not available for FSP
FSET	INPut<1 2>:PRESelection:FILTer:HPASS[:FREQuency]	100Hz to 5MHz	not available for FSP
FSET	INPut<1 2>:PRESelection:FILTer:LPASS[:FREQuency]	20KHz to 40MHz	not available for FSP
FSET	INPut<1 2>:PRESelection:FILTer[:STATe]	ON OFF	not available for FSP
FSET	INPut<1 2>:PRESelection:SET	NARRow NORMal WIDE	not available for FSP
FSET	INPut<1 2>:PRESelection:USET[:SElect]	"name of user defined preselector set"	not available for FSP
FSET	INPut<1 2>:PRESelection[:STATe]	ON OFF	not available for FSP
FSET	INPut<1 2>:TYPE	RF BALanced	not available for FSP
ESI	INPut<1 2>:TYPE	INPUT1 INPUT2	not available for FSP
FSE	INPut<1 2>:UPORt<1 2>:STATe	ON OFF	not available for FSP
FSE	INPut<1 2>:UPORt<1 2>[:VALue]?		not available for FSP
ESI	INPut2:COUPling	AC DC	not available for FSP
FSP	INSTRument:COUPlE	NONE RLEVel CF_B CF_A	available coupling modes between Screen A and Screen B have been changed between FSE and FSP
FSE	INSTRument:COUPlE	NONE MODE X Y CONTROL XY XCONTROL YCONTROL ALL	Available coupling modes between screen A and screen B have been changed between FSE and FSP
FSP	INSTRument<1 2>:NSElect	1	currently only parameter value 1 available
ESI	INSTRument<1 2>:NSElect	1 to 3 6	4 parameter values are available
FSE/FSIQ	INSTRument<1 2>:NSElect	1 to 5	5 parameter values are available
FSET	INSTRument<1 2>:NSElect	1 2 6	3 parameter values are available
FSP	INSTRument<1 2>[:SElect]	SANalyzer	Currently only SANalyzer available
FSE/FSIQ	INSTRument<1 2>[:SElect]	SANalyzer DDEMod ADEMod BGSM MGSM	5 parameters are available.
ESI	INSTRument<1 2>[:SElect]	RECEiver SANalyzer DDEMod ADEMod	4 parameters are available.
FSET	INSTRument<1 2>[:SElect]	ANalyzer DDEMod RECEiver	3 parameters are available.
FSP + FSE	MMEMory:CATalog?	string	
FSP + FSE	MMEMory:CDIRectory	directory name	
FSP + FSE	MMEMory:CLear:ALL		
FSP + FSE	MMEMory:CLear:STATe	1,path	
FSP + FSE	MMEMory:COMMent	<string>	
FSP + FSE	MMEMory:COpy	path\file, path\file	
FSP + FSE	MMEMory:DATA	filename [, <block data>]	
FSP + FSE	MMEMory:DELete	path\filename	
FSP + FSE	MMEMory:LOAD:AUTO	1,path	
FSP + FSE	MMEMory:LOAD:STATe	1,path	
FSP + FSE	MMEMory:MDIRectory	path	
FSP + FSE	MMEMory:MOVE	path	
FSP + FSE	MMEMory:MSIS	'A:' 'D:'	FSP: valid drives are A: and D: FSE: valid drives are A: and C:
FSP + FSE	MMEMory:NAME	path\filename	
FSP + FSE	MMEMory:RDIRectory	directory	
FSP + FSE	MMEMory:SElect[:ITEM]:ALL		
FSE	MMEMory:SElect[:ITEM]:CSETup	ON OFF	not available for FSP (default setting on the FSP)
FSE	MMEMory:SElect[:ITEM]:CVL:ALL	ON OFF	not available for FSP and FSET

Devices	Command	Parameter	Notes
FSE	MMEMory:SElect[:ITEM]:CVL[:ACTive]	ON OFF	not available for FSP and FSET
FSP + FSE	MMEMory:SElect[:ITEM]:DEFault		
FSE	MMEMory:SElect[:ITEM]:GSETup	ON OFF	not available for FSP (default setting on the FSP)
FSE	MMEMory:SElect[:ITEM]:HCOPy	ON OFF	not available for FSP (default setting on the FSP)
FSP + FSE	MMEMory:SElect[:ITEM]:HWSettings	ON OFF	
FSP + FSE	MMEMory:SElect[:ITEM]:LINes:ALL	ON OFF	
FSE	MMEMory:SElect[:ITEM]:LINes:ALL	ON OFF	
FSE	MMEMory:SElect[:ITEM]:LINes[:ACTive]	ON OFF	not available for FSP (default setting on the FSP)
FSE	MMEMory:SElect[:ITEM]:MACROs	ON OFF	not available for FSP
FSP + FSE	MMEMory:SElect[:ITEM]:NONE		
FSP + FSE	MMEMory:SElect[:ITEM]:SCData	ON OFF	
FSP	MMEMory:SElect[:ITEM]:TRACe[:ACTive]	ON OFF	no numeric suffixes behind TRACe
FSE	MMEMory:SElect[:ITEM]:TRACe<1...4>	ON OFF	numeric suffixes behind TRACe
FSE	MMEMory:SElect[:ITEM]:TRANsducer:ALL	ON OFF	not available for FSP
FSE	MMEMory:SElect[:ITEM]:TRANsducer[:ACTive]	ON OFF	not available for FSP
FSP + FSE	MMEMory:STORe:STATe	1,path	
FSP + FSE	MMEMory:STORe:TRACe	1 to 3,path	
FSE	OUTPut:AF:SENSitivity	<numeric_value>	not available for FSP and FSET
FSE	OUTPut:UPORt<1 2>:STATe	ON OFF	not available for FSP
FSE	OUTPut:UPORt<1 2>[:VALue]	#B00000000 to #B11111111	not available for FSP
FSP + FSE	OUTPut<1 2>[:STATe]	ON OFF	
FSE	READ:BURSt:FERRor:AVERAge?		not available for FSP and FSET
FSE	READ:BURSt:FERRor:MAXimum?		not available for FSP and FSET
FSE	READ:BURSt:FERRor:STATus?		not available for FSP and FSET
FSE	READ:BURSt:PERRor:PEAK:AVERAge?		not available for FSP and FSET
FSE	READ:BURSt:PERRor:PEAK:MAXimum?		not available for FSP and FSET
FSE	READ:BURSt:PERRor:PEAK:STATus?		not available for FSP and FSET
FSE	READ:BURSt:PERRor:RMS:AVERAge?		not available for FSP and FSET
FSE	READ:BURSt:PERRor:RMS:MAXimum?		not available for FSP and FSET
FSE	READ:BURSt:PERRor:RMS:STATus?		not available for FSP and FSET
FSE	READ:BURSt:POWer:DYNamic?		not available for FSP and FSET
FSE	READ:BURSt:POWer:LEVel?		not available for FSP and FSET
FSE	READ:BURSt:POWer:STATic?		not available for FSP and FSET
FSE	READ:BURSt:POWer?		not available for FSP and FSET
FSE	READ:BURSt:REFerence[:IMMediate?]		not available for FSP and FSET
FSE	READ:SPECTrum:MODulation[:ALL]?		not available for FSP and FSET
FSE	READ:SPECTrum:SWITching[:ALL]?		not available for FSP and FSET
FSE	READ:SPURious:STEP?		not available for FSP and FSET
FSE	READ:SPURious[:ALL]?		not available for FSP and FSET
FSE	[SENSe<1 2>:]ADEMod:AF:COUPling	AC DC	not available for FSP and FSET
FSE	[SENSe<1 2>:]ADEMod:RTIME	ON OFF	not available for FSP and FSET

Devices	Command	Parameter	Notes
FSE	[SENSe<1 2>:]ADEMod:SBANd	NORMal INVerse	not available for FSP and FSET
FSE	[SENSe<1 2>:]ADEMod:SQUelch:LEVel	30 to 150 dBm	not available for FSP and FSET
FSE	[SENSe<1 2>:]ADEMod:SQUelch[:STATe]	ON OFF	not available for FSP and FSET
FSET	[SENSe<1 2>:]AM:RANGe[:UPPer]	3PCT 10 PCT 100PCT	not available for FSP
FSE	[SENSe<1 2>:]AVERage:AUTO	ON OFF	not available for FSP
FSP + FSE	[SENSe<1 2>:]AVERage:COUNt	0 to 32767	
FSE	[SENSe<1 2>:]AVERage:COUNt	0 to 32767	
FSP	[SENSe<1 2>:]AVERage:TYPE	VIDeo LINear	command is used to select logarithmic or linear averaging on the FSP; therefore parameters are incompatible to the FSE
FSE	[SENSe<1 2>:]AVERage:TYPE	MAXimum MINimum SCALar	command is used to select logarithmic or linear averaging on the FSP; therefore parameters are incompatible to the FSE
FSP + FSE	[SENSe<1 2>:]AVERage[:STATe<1...3>]	ON OFF	
FSE	[SENSe<1 2>:]BANDwidth BWIDth:DEMod	<numeric_value>	not available for FSP and FSET
FSE	[SENSe<1 2>:]BANDwidth BWIDth:PLL	AUTO HIGH MEDIum LOW	not available for FSP
FSU	[SENSe<1 2>:]BANDwidth BWIDth:PLL	AUTO HIGH MEDIum NARRow	new function for FSU
FSP + FSE	[SENSe<1 2>:]BANDwidth BWIDth:VIDeo	1Hz to 10MHz	FSP
FSET	[SENSe<1 2>:]BANDwidth BWIDth:VIDeo	1Hz to 500MHz	
FSP + FSE	[SENSe<1 2>:]BANDwidth BWIDth:VIDeo:AUTO	ON OFF	
FSET	[SENSe<1 2>:]BANDwidth BWIDth:VIDeo:EXTernal[:STATe]	ON OFF	not available for FSP
FSP	[SENSe<1 2>:]BANDwidth BWIDth:VIDeo:RATio	0.0001 to 1	only numeric values available. Parameter ranges differ between FSP and FSE
FSE	[SENSe<1 2>:]BANDwidth BWIDth:VIDeo:RATio	0.001 to 1000 SINE PULSe NOISe	also text parameters are available. Parameter ranges differ between FSP and FSE not available for FSET
FSP + FSE	[SENSe<1 2>:]BANDwidth BWIDth[:RESolution]	10Hz to 10MHz (anal. filter) 1Hz to 10MHz (FFT filter)	FSE: 10Hz to 10MHz (models 20) 1Hz to 10MHz (models 30)
FSET	[SENSe<1 2>:]BANDwidth BWIDth[:RESolution]	10 Hz to 500MHz	
FSP + FSE	[SENSe<1 2>:]BANDwidth BWIDth[:RESolution]:AUTO	ON OFF	
FSE	[SENSe<1 2>:]BANDwidth BWIDth[:RESolution]:MODE	ANALog DIGital	not available for FSP and FSET
FSP + FSE	[SENSe<1 2>:]BANDwidth BWIDth[:RESolution]:MODE:FFT	ON OFF	old command that is still supported, but has been replaced on the FSP by [SENSe<1 2>:]BANDwidth BWIDth[:RESolution]:TYPE
FSP + FSE	[SENSe<1 2>:]BANDwidth BWIDth[:RESolution]:RATio	0.0001 to 1	
FSP	[SENSe<1 2>:]BANDwidth BWIDth[:RESolution]:TYPE	NORMal FFT CFILter RRC	new function for FSP
FSP	[SENSe<1 2>:]BANDwidth BWIDth:VIDeo:TYPE	LINear LOGarithmic	new function for FSP
FSP + FSE	[SENSe<1 2>:]CORRection:COLLect[:ACQuire]	THROUGH OPEN	
FSE	[SENSe<1 2>:]CORRection:CVL:RAND	A Q U V E W F D G Y J	not available for FSP and FSET
FSE	[SENSe<1 2>:]CORRection:CVL:BIAS	<numeric_value>	not available for FSP and FSET
FSE	[SENSe<1 2>:]CORRection:CVL:CATalog?		not available for FSP and FSET
FSE	[SENSe<1 2>:]CORRection:CVL:CLEar		not available for FSP and FSET
FSE	[SENSe<1 2>:]CORRection:CVL:COMMENT	<string>	not available for FSP and FSET
FSE	[SENSe<1 2>:]CORRection:CVL:DATA	<freq>,<level> to	not available for FSP and FSET
FSE	[SENSe<1 2>:]CORRection:CVL:MIXer	<string>	not available for FSP and FSET

Devices	Command	Parameter	Notes
FSE	[SENSe<1 2>:]CORRection:CVL:PORTs	2 3	not available for FSP and FSET
FSE	[SENSe<1 2>:]CORRection:CVL:SElect	<file_name>	not available for FSP and FSET
FSE	[SENSe<1 2>:]CORRection:CVL:SNUMber	<string>	not available for FSP and FSET
FSE	[SENSe<1 2>:]CORRection:CVL:TYPE	ODD EVEN EODD	not available for FSP and FSET
FSE/ FSIQ	[SENSe<1 2>:]CORRection:LOSS:INPut[:MAGNitude]	<numeric_value>	not available for FSP
FSP + FSE	[SENSe<1 2>:]CORRection:METhod	TRANsmission REFLExion	
FSP + FSE	[SENSe<1 2>:]CORRection:RECall		
FSE	[SENSe<1 2>:]CORRection:RXGain:INPut[:MAGNitude]	<numeric_value>	not available for FSP, FSET and ESI
FSP + FSE	[SENSe<1 2>:]CORRection[:STATe]	ON OFF	
FSE	[SENSe<1 2>:]CORRection:TRANsducer:ACTive?		not available for FSP
FSE	[SENSe<1 2>:]CORRection:TRANsducer:CATalog?		not available for FSP
FSE	[SENSe<1 2>:]CORRection:TRANsducer:COMMeNt	<string>	not available for FSP
FSE	[SENSe<1 2>:]CORRection:TRANsducer:DATA	<freq>,<level> to	not available for FSP
FSE	[SENSe<1 2>:]CORRection:TRANsducer:DELeTe		not available for FSP
FSE	[SENSe<1 2>:]CORRection:TRANsducer:SCALing	LINear LOGarithmic	not available for FSP
FSE	[SENSe<1 2>:]CORRection:TRANsducer:SElect	<name>	not available for FSP
FSE	[SENSe<1 2>:]CORRection:TRANsducer:UNIT	<string>	not available for
FSE	[SENSe<1 2>:]CORRection:TRANsducer[:STATe]	ON OFF	not available for FSP
FSE	[SENSe<1 2>:]CORRection:TSET:ACTive?		not available for FSP
FSE	[SENSe<1 2>:]CORRection:TSET:BReak	ON OFF	not available for FSP
FSE	[SENSe<1 2>:]CORRection:TSET:CATalog?		not available for FSP
FSE	[SENSe<1 2>:]CORRection:TSET:COMMeNt	<string>	not available for FSP
FSE	[SENSe<1 2>:]CORRection:TSET:DELeTe		not available for FSP
FSE	[SENSe<1 2>:]CORRection:TSET:RANGe<1...10>	<freq>,<freq>,<name> to	not available for FSP
FSE	[SENSe<1 2>:]CORRection:TSET:SElect	<name>	not available for FSP
FSE	[SENSe<1 2>:]CORRection:TSET:UNIT	<string>	not available for FSP
FSE	[SENSe<1 2>:]CORRection:TSET[:STATe]	ON OFF	not available for FSP
FSE	[SENSe<1 2>:]DDEMod:FILTer:ALPHa	0.2 to 1	not available for FSP
FSE	[SENSe<1 2>:]DDEMod:FILTer:MEASurement	OFF RCOSine RRCosine GAUSSian B22 B25 B44 QFM QFR QRM QRR A25Fm EMES EREF	not available for FSP
FSE	[SENSe<1 2>:]DDEMod:FILTer:REFerence	RCOSine RRCosine GAUSSian B22 B25 B44 QFM QFR QRM QRR A25Fm EMES EREF	not available for FSP
FSE	[SENSe<1 2>:]DDEMod:FORMat	QPSK PSK MSK QAM FSK	not available for FSP
FSE	[SENSe<1 2>:]DDEMod:FSK:NState	2 4	not available for FSP
FSE	[SENSe<1 2>:]DDEMod:MSK:FORMat	TYPE1 TYPE2 NORMAl DIFFerential	not available for FSP
FSE	[SENSe<1 2>:]DDEMod:NORMAlize	ON OFF	not available for FSP
FSE	[SENSe<1 2>:]DDEMod:PRATe	1 2 4 8 16	not available for FSP
FSE/ ESI	[SENSe<1 2>:]DDEMod:PRESet	GSM EDGe NADC TETRa DCS1800 PCS1900 PHS PDCup PDCDown APCO25CQPSK APCO25C4FM CDPD DECT CT2 ERMes MODacom PWT TFTS F16 F322 F324 F64 FQCDma RQCDma FNADc RNADc BPSK18 GMSK18 QPSK18 GMSK36	not available for FSP

Devices	Command	Parameter	Notes
FSIQ	[SENSe<1 2>:]DDEMod:PRESet	GSM EDGe NADC TETra PHS PDCup PDCDown APCO25CQPSK APCO25C4FM CDPD DECT CT2 ERMes MODacom PWT TFTS F16 F322 F324 F64 FWCDma RWCDma FW3Gppcdma RW3Gppcdma BPSK18 GMSK18 QPSK18 GMSK36	not available for FSP
FSET	[SENSe<1 2>:]DDEMod:PRESet	GSM EDGe NADC TETra DCS1800 PCS1900 PHS PDCup PDCDown APCO25CQPSK APCO25C4FM CDPD DECT CT2 ERMes MODacom PWT TFTS F16 F322 F324 F64 FQCDma RQCDma FNADc RNADc BPSK18 GMSK18 QPSK18 GMSK36	not available for FSP
FSE	[SENSe<1 2>:]DDEMod:PSK:FORMat	NORMal DIFFerential N3Pi8	not available for FSP
FSE	[SENSe<1 2>:]DDEMod:PSK:NSTate	2 8	not available for FSP
FSE	[SENSe<1 2>:]DDEMod:QAM:NSTate	16	not available for FSP
FSE	[SENSe<1 2>:]DDEMod:QPSK:FORMat	NORMal DIFFerential OFFSet DPI4	not available for FSP
FSE	[SENSe<1 2>:]DDEMod:SBANd	NORMal INVerse	not available for FSP
FSE	[SENSe<1 2>:]DDEMod:SEARch:PULSe:STATe	ON OFF	not available for FSP
FSE	[SENSe<1 2>:]DDEMod:SEARch:SYNC:CATalog?		not available for FSP
FSE	[SENSe<1 2>:]DDEMod:SEARch:SYNC:COMment	<string>	not available for FSP
FSE	[SENSe<1 2>:]DDEMod:SEARch:SYNC:DATA	<string>	not available for FSP
FSE	[SENSe<1 2>:]DDEMod:SEARch:SYNC:NAME	<string>	not available for FSP
FSE	[SENSe<1 2>:]DDEMod:SEARch:SYNC:OFFSet	<numeric_value>	not available for FSP
FSE	[SENSe<1 2>:]DDEMod:SEARch:SYNC:PATtern	<string>	not available for FSP
FSE	[SENSe<1 2>:]DDEMod:SEARch:SYNC:SElect	<string>	not available for FSP
FSE	[SENSe<1 2>:]DDEMod:SEARch:SYNC:STATe	ON OFF	not available for FSP
FSE	[SENSe<1 2>:]DDEMod:SEARch:TIME	100 to 1600	not available for FSP
FSE	[SENSe<1 2>:]DDEMod:SRATe	160 Hz to 1,6 MHz	not available for FSP
FSIQ	[SENSe<1 2>:]DDEMod:SRATe	160 Hz to 7 MHz	not available for FSP
	[SENSe<1 2>:]DDEMod:TIME	1 to Frame Length	not available for FSP
FSET	[SENSe<1 2>:]DEMod	OFF AM AMVideo FM PM	not available for FSP
ESI	[SENSe<1 2>:]DEMod	OFF AM FM	not available for FSP
FSET	[SENSe<1 2>:]DEMod:FILTer:HPASs:FREQuency	0 Hz 10 Hz 100 Hz 1 kHz	not available for FSP
FSET	[SENSe<1 2>:]DEMod:FILTer[:LPASs]:AUTO	ON OFF	not available for FSP
FSET	[SENSe<1 2>:]DEMod:FILTer[:LPASs]:FREQuency	<numeric_value>	not available for FSP
FSE	[SENSe<1 2>:]DETEctor<1...4>:CMEM[:STATe]	ON OFF	not available for FSP
FSP	[SENSe<1 2>:]DETEctor<1...3>[:FUNction]	APEak NEGative POSitive SAMPlE RMS AVERAge QPEak	FSP: number of traces restricted to 3; detector settings correspond to selected screen FSE: Qpeak not available
ESI	[SENSe<1 2>:]DETEctor<1..4>[:FUNction]	APEak NEGative POSitive SAMPlE RMS AVERAge QPEak	
FSP + FSE	[SENSe<1 2>:]DETEctor<1...3>[:FUNction]:AUTO	ON OFF	number of traces restricted to 3
FSET	[SENSe<1 2>:]DETEctor<1...4>:PSTRetch:AUTO	ON OFF	not available for FSP
FSET	[SENSe<1 2>:]DETEctor<1...4>:PSTRetch[:STATe]	ON OFF	not available for FSP
ESI	[SENSe<1 2>:]DETEctor<1...4>:RECeiver[:FUNction]	POSitive NEGative RMS AVERAge QPEak	not available for FSP
FSET	[SENSe<1 2>:]DETEctor<1...4>:RECeiver[:FUNction]	POSitive NEGative RMS AVERAge	not available for FSP

Devices	Command	Parameter	Notes
FSE	[SENSe<1 2>:]FILTer:CCITf[:STATe]	ON OFF	not available for FSP and FSET
FSE	[SENSe<1 2>:]FILTer:CMESsage[:STATe]	ON OFF	not available for FSP and FSET
FSE	[SENSe<1 2>:]FILTer:DEMPHasis:LINK	DISPlay AUDio	not available for FSP and FSET
FSE	[SENSe<1 2>:]FILTer:DEMPHasis:TCONstant	<numeric_value>	not available for FSP and FSET
FSE	[SENSe<1 2>:]FILTer:DEMPHasis[:STATe]	ON OFF	not available for FSP and FSET
FSE	[SENSe<1 2>:]FILTer:HPASs:FREQuency	30 Hz 300 HZ	not available for FSP and FSET
FSET	[SENSe<1 2>:]FILTer:HPASs:FREQuency	10 kHz 1 kHz 100 Hz	not available for FSP
FSE	[SENSe<1 2>:]FILTer:HPASs[:STATe]	ON OFF	not available for FSP
FSE	[SENSe<1 2>:]FILTer:LPASs:FREQuency	3 kHz 15 kHz	not available for FSP and FSET
FSE	[SENSe<1 2>:]FILTer:LPASs[:STATe]	ON OFF	not available for FSP and FSET
FSET	[SENSe<1 2>:]FILTer:NOTCh[:STATe]	ON OFF	not available for FSP
FSET	[SENSe<1 2>:]FM[:DEVIation]:RANGe:UPPer	ON OFF	not available for FSP
FSET	[SENSe<1 2>:]FM[:DEVIation]:RANGe[:UPPer]	<numeric_value>	not available for FSP
FSP + FSE	[SENSe<1 2>:]FREQuency:CENTer	0 to f_{max}	frequency ranges are different for FSP and FSE
FSE	[SENSe<1 2>:]FREQuency:CENTer:LINK	START STOP SPAN	not available for FSP
FSP + FSE	[SENSe<1 2>:]FREQuency:CENTer:STEP	0 to f_{max}	frequency ranges are different for FSP and FSE
FSP + FSE	[SENSe<1 2>:]FREQuency:CENTer:STEP:LINK	SPAN RBW OFF	
FSP + FSE	[SENSe<1 2>:]FREQuency:CENTer:STEP:LINK:FACTor	1 to 100 PCT	
FSP + FSE	[SENSe<1 2>:]FREQuency:MODE	CW FIXed SWEep	
FSP + FSE	[SENSe<1 2>:]FREQuency:OFFSet	<numeric_value>	
FSET	[SENSe<1 2>:]FREQuency:RANGe	2 GHz 22 GHz	not available for FSP
FSP + FSE	[SENSe<1 2>:]FREQuency:SPAN	0 to f_{max}	frequency ranges are different for FSP and FSE
FSP + FSE	[SENSe<1 2>:]FREQuency:SPAN:FULL		
FSE	[SENSe<1 2>:]FREQuency:SPAN:LINK	CENTer STOP SPAN	not available for FSP
FSP + FSE	[SENSe<1 2>:]FREQuency:START	0 to f_{max}	frequency ranges are different for FSP and FSE
FSET	[SENSe<1 2>:]FREQuency:START:FLINe[:STATe]	ON OFF	not available for FSP. Replaced by CALC:MARK:FUNC:SLIMits
FSE	[SENSe<1 2>:]FREQuency:START:LINK	CENTer STOP SPAN	not available for FSP
FSP + FSE	[SENSe<1 2>:]FREQuency:STOP	0 to f_{max}	frequency ranges are different for FSP and FSE
FSET	[SENSe<1 2>:]FREQuency:STOP:FLINe[:STATe]	ON OFF	not available for FSP; replaced by CALC:MARK:FUNC:SLIMits.
FSE	[SENSe<1 2>:]FREQuency:STOP:LINK	CENTer START SPAN	not available for FSP
FSET/ESI	[SENSe<1 2>:]FREQuency[:CW]:FIXed]	f_{min} to f_{max}	not available for FSP
FSET/ESI	[SENSe<1 2>:]FREQuency[:CW]:FIXed:STEP	f_{min} to f_{max}	not available for FSP
FSP	[SENSe<1 2>:]LIST:POWer:RESult?		new function for FSP
FSP	[SENSe<1 2>:]LIST:POWer[:SEQuence]	<analyzer freq>, <ref level>, <rf att>, <el att>, <filter type>, <rbw>, <vbw>, <meas time>, <trigger level>,...	new function for FSP
FSP	[SENSe<1 2>:]LIST:POWer:SET	<PEAK meas>, <RMS meas>, <AVG meas>, <trigger mode>, <trigger slope>, <trigger offset>, <gate length>	new function for FSP
FSP	[SENSe<1 2>:]LIST:POWer:STATe	ON OFF	new function for FSP
FSE	[SENSe<1 2>:]MIXer:BIAS	<numeric_value>	not available for FSP
FSE	[SENSe<1 2>:]MIXer:BIAS:LIMit:MIN	<numeric_value>	not available for FSP
FSE	[SENSe<1 2>:]MIXer:BIAS:LIMit[:MAX]	<numeric_value>	not available for FSP
FSE	[SENSe<1 2>:]MIXer:BLOCK	ON OFF	not available for FSP

Devices	Command	Parameter	Notes
FSE	[SENSe<1 2>:]MIXer:HARMonic	<numeric_value>	not available for FSP
FSE	[SENSe<1 2>:]MIXer:HARMonic:BAND	A Q U V E W F D G Y J	not available for FSP
FSE	[SENSe<1 2>:]MIXer:HARMonic:TYPE	ODD EVEN EODD	not available for FSP
FSE	[SENSe<1 2>:]MIXer:LOSS:HIGH	<numeric_value>	not available for FSP
FSE	[SENSe<1 2>:]MIXer:LOSS:TABLE	<file_name>	not available for FSP
FSE	[SENSe<1 2>:]MIXer:LOSS[:LOW]	<numeric_value>	not available for FSP
FSE	[SENSe<1 2>:]MIXer:PORTs	2 3	not available for FSP
FSE	[SENSe<1 2>:]MIXer:SIGNal	2 3	not available for FSP
FSE	[SENSe<1 2>:]MIXer:THReshold	0.1 to 100 dB	not available for FSP
FSE	[SENSe<1 2>:]MIXer:STATe]	ON OFF	not available for FSP
FSP	[SENSe<1 2>:]MPOWer[:SEquence]	<analyzer freq>, <rbw>, <meas time>, <trigger source>, <trigger level>, <trigger offset>, <type of meas>, <# of meas>	new function for FSP
FSP	[SENSe<1 2>:]MPOWer:RESult[:LIST]?]		new function for FSP
FSP	[SENSe<1 2>:]MPOWer:RESult:MIN?		new function for FSP
FSE	[SENSe<1 2>:]MSUMmary:AHOLd[:STATe]	ON OFF	not available for FSP and FSET
FSE	[SENSe<1 2>:]MSUMmary:MODE	ABSolute RELative	not available for FSP and FSET
FSE	[SENSe<1 2>:]MSUMmary:MTIME	0.1S 1S	not available for FSP and FSET
FSE	[SENSe<1 2>:]MSUMmary:REFerence	<numeric_value>	not available for FSP and FSET
FSE	[SENSe<1 2>:]MSUMmary:REFerence:AUTO	ONCE	not available for FSP and FSET
FSE	[SENSe<1 2>:]MSUMmary:RUNit	PCT DB	not available for FSP and FSET
FSET	[SENSe<1 2>:]PM[:DEViation]:RANGe[:UPPer]	<numeric_value>	not available for FSP
FSP + FSE	[SENSe<1 2>:]POWer:ACHannel:ACPairs	0 to 3	FSP: new parameter value 0 for channel power measurement
FSP + FSE	[SENSe<1 2>:]POWer:ACHannel:BANDwidth BWIDth:ACHannel	100 to 1000MHz	FSP: parameter range starts at 100Hz FSE: parameter range starts at 0 Hz
FSP + FSE	[SENSe<1 2>:]POWer:ACHannel:BANDwidth BWIDth:ALTErnate<1 2>	100 to 1000MHz	FSP: parameter range starts at 100Hz FSE: parameter range starts at 0 Hz
FSP + FSE	[SENSe<1 2>:]POWer:ACHannel:BANDwidth BWIDth[:CHANnel]	100 to 1000MHz	FSP: parameter range starts at 100Hz FSE: parameter range starts at 0 Hz
FSP + FSE	[SENSe<1 2>:]POWer:ACHannel:MODE	ABSolute RELative	
FSP + FSE	[SENSe<1 2>:]POWer:ACHannel:PRESet	ACPowEr CPowEr OBANDwidth OBWIDth CN CNO	
FSP	[SENSe<1 2>:]POWer:ACHannel:PRESet:RLEVel		new function for FSP
FSP + FSE	[SENSe<1 2>:]POWer:ACHannel:REFerence:AUTO	ONCE	
FSP + FSE	[SENSe<1 2>:]POWer:ACHannel:SPACing[:ACHannel]	100Hz to 2000MHz	different parameter range
FSE	[SENSe<1 2>:]POWer:ACHannel:SPACing[:UPPer]	0 to 1000MHz	not available for FSP and FSET
FSP + FSE	[SENSe<1 2>:]POWer:ACHannel:SPACing:ALTErnate<1 2>	100Hz to 2000MHz	different parameter range
FSP + FSE	[SENSe<1 2>:]POWer:BANDwidth BWIDth	10 to 99.9PCT	different parameter range
FSP	[SENSe<1 2>:]POWer:HSPeed	ON OFF	new function for FSP
FSP	[SENSe<1 2>:]POWer:NCORrection	ON OFF	new function for FSP
FSP	[SENSe<1 2>:]POWer:TRACe	1 to 3	new function for FSP
FSP + FSE	[SENSe<1 2>:]ROSCillator[:INTernal]:TUNE	0 to 4095	
FSP + FSE	[SENSe<1 2>:]ROSCillator[:INTernal]:TUNE:SAVE		
FSE	[SENSe<1 2>:]ROSCillator:EXTernal:FREQUency	1MHz to 16MHz	not available for FSP
FSP + FSE	[SENSe<1 2>:]ROSCillator:SOURce	INTernal EXTernal	
FSET/ESI	[SENSe<1 2>:]SCAN<:RANGes[COUNt]	1 to 10	not available for FSP

Devices	Command	Parameter	Notes
FSE/ ESI	[SENSe<1 2>:]SCAN<1...10>:BANDwidth:RESolution	f_{min} to f_{max}	not available for FSP
FSET/ ESI	[SENSe<1 2>:]SCAN<1...10>:INPut:ATTenuation	dB _{min} to dB _{max}	not available for FSP
FSET/ ESI	[SENSe<1 2>:]SCAN<1...10>:INPut:ATTenuation:AUTO	ON OFF	not available for FSP
FSET	[SENSe<1 2>:]SCAN<1...10>:INPut:BIMPedance	150OHM 600OHM 10kOHM	not available for FSP
FSET	[SENSe<1 2>:]SCAN<1...10>:INPut:GAIN	0dB to 30dB	not available for FSP
FSET/ ESI	[SENSe<1 2>:]SCAN<1...10>:INPut:GAIN:AUTO	ON OFF	not available for FSP
ESI	[SENSe<1 2>:]SCAN<1...10>:INPut:GAIN:STATe	ON OFF	not available for FSP
ESI	[SENSe<1 2>:]SCAN<1...10>:INPut:TYPE	INPUT1 INPUT2	not available for FSP
FSET	[SENSe<1 2>:]SCAN<1...10>:INPut:TYPE	RF BALanced	not available for FSP
FSET/ ESI	[SENSe<1 2>:]SCAN<1...10>:START	f_{min} to f_{max}	not available for FSP
FSET/ ESI	[SENSe<1 2>:]SCAN<1...10>:STEP	f_{min} to f_{max}	not available for FSP
FSET/ ESI	[SENSe<1 2>:]SCAN<1...10>:STOP	f_{min} to f_{max}	not available for FSP
FSET/ ESI	[SENSe<1 2>:]SCAN<1...10>:TIME	100 μ s to 100 s	not available for FSP
FSP + FSE	[SENSe<1 2>:]SWEep:COUNT	0 to 32767	
FSP + FSE	[SENSe<1 2>:]SWEep:EGATe	ON OFF	
FSP + FSE	[SENSe<1 2>:]SWEep:EGATe:HOLDoff	0 to 100s	
FSP + FSE	[SENSe<1 2>:]SWEep:EGATe:LENGth	0 to 100s	
FSE	[SENSe<1 2>:]SWEep:EGATe:LENGth	0 to 100s	
FSE	[SENSe<1 2>:]SWEep:EGATe:LEVel	-5V to +5V	not available for FSP
FSP + FSE	[SENSe<1 2>:]SWEep:EGATe:POLarity	POSITive NEGative	
FSP + FSE	[SENSe<1 2>:]SWEep:EGATe:SOURce	EXTernal IFPower RFPower	
FSP + FSE	[SENSe<1 2>:]SWEep:EGATe:TYPE	LEVel EDGE	
FSE	[SENSe<1 2>:]SWEep:GAP	ON OFF	not available for FSP
FSE	[SENSe<1 2>:]SWEep:GAP:LENGth	0 to 100s	not available for FSP
FSE	[SENSe<1 2>:]SWEep:GAP:PRETrigger	0 to 100s	not available for FSP
FSE	[SENSe<1 2>:]SWEep:GAP:TRGTogap	0 to 100s	not available for FSP
FSP	[SENSe<1 2>:]SWEep:POINts	<numeric value>	not available for FSE
FSET/ ESI	[SENSe<1 2>:]SWEep:SPACing	LINear LOGarithmic AUTO	not available for FSP
FSE/ FSIQ	[SENSe<1 2>:]SWEep:SPACing	LINear LOGarithmic	not available for FSP
FSP + FSE	[SENSe<1 2>:]SWEep:TIME	2.5ms to 1000s 1 μ s to 16000s	different parameter ranges for FSP and FSE
FSP + FSE	[SENSe<1 2>:]SWEep:TIME:AUTO	ON OFF	
FSE	[SENSe<1 2>:]TCApTure:LENGth	1024 2048 4096 8192 16384	not available for FSP
FSE	[SENSe<1 2>:]TV:PSOFFset	0 to 6.5 MHz	not available for FSP and FSET
FSP	[SENSe<1 2>:]TV:CCVS	INTernal EXTernal	new function for FSP
FSP + FSE	[SENSe<1 2>:]TV[:STATe]	ON OFF	
FSP + FSE	SOURce:AM:STATe	ON OFF	
FSP + FSE	SOURce:DM:STATe	ON OFF	
FSP	SOURce:EXTernal[:STATe]	ON OFF	new command for FSP
FSP	SOURce:EXTernal:FREQuency:OFFset	<numeric_value>	new command for FSP
FSP	SOURce:EXTernal:FREQuency[:FACtor]:NUMerator	<numeric_value>	new command for FSP
FSP	SOURce:EXTernal:FREQuency[:FACtor]:DENominator	<numeric_value>	new command for FSP
FSP	SOURce:EXTernal:FREQuency:SWEep[:STATe]	ON OFF	new command for FSP
FSP	SOURce:EXTernal:POWer[:LEVel]	<numeric_value>	new command for FSP
FSP + FSE	SOURce:FM:STATe	ON OFF	
FSP + FSE	SOURce:FREQuency:OFFSet	-150Hz to 150MHz	different value ranges for FSP and FSE
FSE	SOURce:POWer:ALC:SOURce	INTernal EXTernal	not available for FSP and FSET
FSP + FSE	SOURce:POWer[:LEVel][:IMMediate]:OFFSet	-200dB to +200dB	
FSP + FSE	SOURce:POWer[:LEVel][:IMMediate][:AMPLitude]	-30dBm to 0dBm	different value ranges for FSP and FSE

Devices	Command	Parameter	Notes
FSP + FSE	STATus:OPERation:CONDition?		
FSE	STATus:OPERation:CONDition?		
FSP + FSE	STATus:OPERation:ENABle	0 to 65535	
FSP + FSE	STATus:OPERation:NTRansition	0 to 65535	
FSP + FSE	STATus:OPERation:PTRansition	0 to 65535	
FSP + FSE	STATus:OPERation[:EVENT]?		
FSP + FSE	STATus:PRESet		
FSP + FSE	STATus:QUEStionable:ACPLimit:CONDition?		
FSP + FSE	STATus:QUEStionable:ACPLimit:ENABle	0 to 65535	
FSP + FSE	STATus:QUEStionable:ACPLimit:NTRansition	0 to 65535	
FSP + FSE	STATus:QUEStionable:ACPLimit:PTRansition	0 to 65535	
FSP + FSE	STATus:QUEStionable:ACPLimit[:EVENT]?		
FSP + FSE	STATus:QUEStionable:CONDition?		
FSP + FSE	STATus:QUEStionable:ENABle	0 to 65535	
FSP + FSE	STATus:QUEStionable:FREQuency:CONDition?		
FSP + FSE	STATus:QUEStionable:FREQuency:ENABle	0 to 65535	
FSP + FSE	STATus:QUEStionable:FREQuency:NTRansition	0 to 65535	
FSP + FSE	STATus:QUEStionable:FREQuency:PTRansition	0 to 65535	
FSP + FSE	STATus:QUEStionable:FREQuency[:EVENT]?		
FSP + FSE	STATus:QUEStionable:LIMit<1 2>:CONDition?		FSP: individual registers for screen A and B
FSP + FSE	STATus:QUEStionable:LIMit<1 2>:ENABle	0 to 65535	FSP: individual registers for screen A and B
FSP + FSE	STATus:QUEStionable:LIMit<1 2>:NTRansition	0 to 65535	FSP: individual registers for screen A and B
FSP + FSE	STATus:QUEStionable:LIMit<1 2>:PTRansition	0 to 65535	FSP: individual registers for screen A and B
FSP + FSE	STATus:QUEStionable:LIMit<1 2>[:EVENT]?		FSP: individual registers for screen A and B
FSP + FSE	STATus:QUEStionable:LMARgin<1 2>:CONDition?		FSP: individual registers for screen A and B
FSP + FSE	STATus:QUEStionable:LMARgin<1 2>:ENABle	0 to 65535	FSP: individual registers for screen A and B
FSP + FSE	STATus:QUEStionable:LMARgin<1 2>:NTRansition	0 to 65535	FSP: individual registers for screen A and B
FSP + FSE	STATus:QUEStionable:LMARgin<1 2>:PTRansition	0 to 65535	FSP: individual registers for screen A and B
FSP + FSE	STATus:QUEStionable:LMARgin<1 2>[:EVENT]?		FSP: individual registers for screen A and B
FSP + FSE	STATus:QUEStionable:NTRansition	0 to 65535	
FSP + FSE	STATus:QUEStionable:POWer:CONDition?		
FSP + FSE	STATus:QUEStionable:POWer:ENABle	0 to 65535	
FSP + FSE	STATus:QUEStionable:POWer:NTRansition	0 to 65535	
FSP + FSE	STATus:QUEStionable:POWer:PTRansition	0 to 65535	
FSP + FSE	STATus:QUEStionable:POWer[:EVENT]?		
FSP + FSE	STATus:QUEStionable:PTRansition	0 to 65535	
FSP + FSE	STATus:QUEStionable:SYNC:CONDition?		
FSP + FSE	STATus:QUEStionable:SYNC:ENABle	0 to 65535	
FSP + FSE	STATus:QUEStionable:SYNC:NTRansition	0 to 65535	
FSP + FSE	STATus:QUEStionable:SYNC:PTRansition	0 to 65535	
FSP + FSE	STATus:QUEStionable:SYNC[:EVENT]?		
FSE	STATus:QUEStionable:TRANsducer:CONDition?		not available for FSP
FSE	STATus:QUEStionable:TRANsducer:ENABle	0 to 65535	not available for FSP
FSE	STATus:QUEStionable:TRANsducer:NTRansition	0 to 65535	not available for FSP
FSE	STATus:QUEStionable:TRANsducer:PTRansition	0 to 65535	not available for FSP
FSE	STATus:QUEStionable:TRANsducer[:EVENT]?		not available for FSP
FSP + FSE	STATus:QUEStionable[:EVENT]?		
FSP + FSE	STATus:QUEue[:NEXT]?		
FSE	SYSTem:BINFo?		not available for FSP
FSP	SYSTem:COMMunicate:GPIB:RDEvice:GENerator<1 2>:ADDResS	0 to 30	new command for FSP
FSE	SYSTem:COMMunicate:GPIB:RDEvice<1 2>:ADDResS	0 to 30	not available for FSP
FSP + FSE	SYSTem:COMMunicate:GPIB[:SELf]:ADDResS	0 to 30	
FSP + FSE	SYSTem:COMMunicate:GPIB[:SELf]:RTERminator	LFEOI EOI	
FSP + FSE	SYSTem:COMMunicate:PRINter:ENUMerate:FIRSt?		

Devices	Command	Parameter	Notes
FSP + FSE	SYSTem:COMMunicate:PRINter:ENUMerate:NEXT?		
FSP	SYSTem:COMMunicate:PRINter:SElect<1 2>	<printer_name>	numeric suffix behind SElect
FSIQ/ESI	SYSTem:COMMunicate:PRINter<1 2>:SElect	<printer_name>	numeric suffix behind PRINters
FSP	SYSTem:COMMunicate:RDEvice:GENerator<1 2>:LINK	GPIO TTL	new function for FSP
FSP	SYSTem:COMMunicate:RDEvice:GENerator<1 2>:TYPE	<name>	new function for FSP
FSP + FSE	SYSTem:COMMunicate:SERial:CONTRol:DTR	IBFull OFF	only SERIAL1 available for FSP
FSP + FSE	SYSTem:COMMunicate:SERial:CONTRol:RTS	IBFull OFF	only SERIAL1 available for FSP
FSP + FSE	SYSTem:COMMunicate:SERial[:RECeive]:BAUD	110 300 600 1200 2400 9600 19200	only SERIAL1 available for FSP
FSP + FSE	SYSTem:COMMunicate:SERial[:RECeive]:BITS	7 8	only SERIAL1 available for FSP
FSP + FSE	SYSTem:COMMunicate:SERial[:RECeive]:PACE	XON NONE	only SERIAL1 available for FSP
FSP + FSE	SYSTem:COMMunicate:SERial[:RECeive]:PARity[:TYPE]	EVEN ODD NONE	only SERIAL1 available for FSP
FSP + FSE	SYSTem:COMMunicate:SERial[:RECeive]:SBITS	1 2	only SERIAL1 available for FSP
FSP + FSE	SYSTem:DATE	1980 to 2099, 1 to 12, 1 to 31	
FSP	SYSTem:DISPlay:FPANel	ON OFF	new function for FSP
FSP + FSE	SYSTem:DISPlay:UPDate	ON OFF	
FSP + FSE	SYSTem:ERRor[:NEXT]?		new function for FSP, but compatible to SYSTem:ERRor? on the FSE
FSP	SYSTem:ERRor:LIST?		new function for FSP
FSP	SYSTem:ERRor:CLEar:ALL		new command for FSP
FSP + FSE	SYSTem:PASSword[:CENable]	'pass word	
FSP + FSE	SYSTem:PRESet		
ESI/FSIQ	SYSTem:PRESet:COMPAtible	FSE OFF	not available for FSP
FSP + FSE	SYSTem:SET		
FSP + FSE	SYSTem:SPEaker:VOLume	0 to 1	
FSP + FSE	SYSTem:TIME	0 to 23, 0 to 59, 0 to 59	
FSP + FSE	SYSTem:VERSion?		
FSP + FSE	TRACe:COpy	TRACE1 TRACE2 TRACE3 , TRACE1 TRACE2 TRACE3	only TRACE1...TRACE3 available for FSP
FSET/ESI	TRACe:FEED:CONTRol<1...4>	ALWayS NEVer	not available for FSP
FSP + FSE	TRACe[:DATA]	TRACE1 TRACE2 TRACE3 , <block> <numeric_value>	only TRACE1...TRACE3 available for FSP
FSET/ESI	TRACe[:DATA]	TRACE1 TRACE2 TRACE3 TRACE4 SINGLE SCAN STATus, <block> <numeric_value>	
FSP	TRACe:IQ:DATA?		new function for FSP
FSP	TRACe:IQ:DATA:MEMory?	<offset samples>, <# of samples>	new function for FSP
FSP	TRACe:IQ:SET	<filter type>, <rbw>, <sample rate>, <trigger source>, <trigger slope>, <pretrigger samples>, <# of samples>	new function for FSP
FSP	TRACe:IQ:AVERAge[:STATe]	ON OFF	new function for FSP
FSP	TRACe:IQ:AVERAge:COUNt	<numeric value>	new function for FSP
FSP	TRACe:IQ:SRATe	16kHz to 32MHz	new function for FSP
FSP	TRACe:IQ[:STATe]	ON OFF	new function for FSP
FSP + FSE	TRIGger<1 2>[:SEQUence]:HOLDoff	0 to 100s	
FSE	TRIGger<1 2>[:SEQUence]:LEVel:AF	-120 to +120PCT	not available for FSP
FSE	TRIGger<1 2>[:SEQUence]:LEVel:VIDeo	0 to 100PCT	not available for FSP; replaced by TRIGger:SEQUence:SOURce:VIDeo
FSE	TRIGger<1 2>[:SEQUence]:LEVel[:EXTernal]	-5.0 to +5.0V	not available for FSP

Devices	Command	Parameter	Notes
FSP	TRIGger<1 2>[:SEQuence]:LEVel:IFPower	<numeric value>	new command for FSP
FSP	TRIGger<1 2>[:SEQuence]:LEVel:RFPower	<numeric value>	new command for FSP, required option B6
FSP + FSE	TRIGger<1 2>[:SEQuence]:SLOPe	POSitive NEGative	
FSP	TRIGger<1 2>[:SEQuence]:SOURce	IMMediate LINE EXTernal VIDEo IFPower	
FSE/ESI	TRIGger<1 2>[:SEQuence]:SOURce	IMMediate LINE EXTernal VIDEo RFPower TV AF	
FSIQ	TRIGger<1 2>[:SEQuence]:SOURce	IMMediate LINE EXTernal VIDEo RFPower AF	
FSET	TRIGger<1 2>[:SEQuence]:SOURce	IMMediate LINE EXTernal VIDEo	
FSP + FSE	TRIGger<1 2>[:SEQuence]:SOURce:VIDeo:FORMat:LPFrame	525 625	requires option B6 on FSP
FSP + FSE	TRIGger<1 2>[:SEQuence]:SOURce:VIDeo:FIELD:SElect	ALL ODD EVEN	requires option B6 on FSP
FSP + FSE	TRIGger<1 2>[:SEQuence]:SOURce:VIDeo:LINE:NUMBer	<numeric value>	requires option B6 on FSP
FSP + FSE	TRIGger<1 2>[:SEQuence]:SOURce:VIDeo:SSIGnal:POLarity	NEGative POSitive	requires option B6 on FSP
FSE/ESI	TRIGger<1 2>[:SEQuence]:SYNChronize:ADJust:FRAME	0 to 100s	not available for FSP
FSE	TRIGger<1 2>[:SEQuence]:SYNChronize:ADJust:FRAME:AUTO	ONCE	not available for FSP and FSET
FSE	TRIGger<1 2>[:SEQuence]:SYNChronize:ADJust:SLOT	0 to 100s	not available for FSP and FSET
FSE	TRIGger<1 2>[:SEQuence]:SYNChronize:ADJust:SLOT:AUTO	ONCE	not available for FSP and FSET
FSE	TRIGger<1 2>[:SEQuence]:SYNChronize:SOURce	FRAME TSC	not available for FSP and FSET
FSP	UNIT<1 2>:POWER	DBM DBPW WATT DBUV DBMV VOLT DBUA AMP V A W	available units are compatible to the FSE.
FSE/FSIQ	UNIT<1 2>:POWER	DBM DBPW WATT DBUV DBMV VOLT DBUA AMP DB PCT UNITLESS DBUV_MHZ DBMV_MHZ DBUA_MHZ DBUV_M DBIA_M DBUV_MMHZ DBUA_MMHZ	for FSP, the following units apply:DBM DBPW WATT DBUV DBMV VOLT DBUA AMP V A W
FSET/ESI	UNIT<1 2>:POWER	DBM DBPW DBPT WATT DBUV DBMV VOLT DBUA AMPere V W DB PCT UNITLESS DBUV_MHZ DBMV_MHZ DBUA_MHZ DBUV_M DBIA_M DBUV_MMHZ DBUA_MMHZ	for FSP, the following units apply:DBM DBPW WATT DBUV DBMV VOLT DBUA AMP V A W
FSE	UNIT<1 2>:PROBe	ON OFF	not available for FSP

Alphabetical List of Commands

In the following, all remote-control commands are listed with their parameters and page numbers. Generally, they are arranged alphabetically according to the keywords of the command. The list of common commands starts the table.

Command	Parameter	Page
*CAL?		6.5
*CLS		6.5
*ESE	0 to 255	6.5
*ESR?		6.5
*IDN?		6.5
*IST?		6.5
*OPC		6.5
*OPC?		6.5
*OPT?		6.6
*PCB	0 to 30	6.6
*PRE	0 to 255	6.6
*PSC	0 1	6.6
*RST		6.7
*SRE	0 to 255	6.7
*STB?		6.7
*TRG		6.7
*TST?		6.7
*WAI		6.7
ABORT		6.8
CALCulate<1 2>:DELTamarker<1...4>[:STATe]	ON OFF	6.9
CALCulate<1 2>:DELTamarker<1...4>:MODE	ABSolute RELative	6.10
CALCulate<1 2>:DELTamarker<1...4>:AOFF		6.10
CALCulate<1 2>:DELTamarker<1...4>:TRACe	1 to 3	6.10
CALCulate<1 2>:DELTamarker<1...4>:X	0 to MAX (frequency sweep time)	6.11
CALCulate<1 2>:DELTamarker<1...4>:X:RELative		6.11
CALCulate<1 2>:DELTamarker<1...4>:Y?		6.12
CALCulate<1 2>:DELTamarker<1...4>:MAXimum[:PEAK]		6.12
CALCulate<1 2>:DELTamarker<1...4>:MAXimum:NEXT		6.12
CALCulate<1 2>:DELTamarker<1...4>:MAXimum:RIGHT		6.13
CALCulate<1 2>:DELTamarker<1...4>:MAXimum:LEFT		6.13
CALCulate<1 2>:DELTamarker<1...4>:MINimum[:PEAK]		6.13
CALCulate<1 2>:DELTamarker<1...4>:MINimum:NEXT		6.13
CALCulate<1 2>:DELTamarker<1...4>:MINimum:RIGHT		6.14
CALCulate<1 2>:DELTamarker<1...4>:MINimum:LEFT		6.14
CALCulate<1 2>:DELTamarker<1...4>:FUNCTion:FIXed[:STATe]	ON OFF	6.14
CALCulate<1 2>:DELTamarker<1...4>:FUNCTion:FIXed:RPOint:MAXimum[:PEAK]	!<numeric_value>	6.15
CALCulate<1 2>:DELTamarker<1...4>:FUNCTion:FIXed:RPOint:Y	<numeric_value>	6.15
CALCulate<1 2>:DELTamarker<1...4>:FUNCTion:FIXed:RPOint:Y:OFFSet	<numeric_value>	6.15
CALCulate<1 2>:DELTamarker<1...4>:FUNCTion:FIXed:RPOint:X	<numeric_value>	6.16

Command	Parameter	Page
CALCulate<1 2>:DELTaMarker<1 to 4>:FUNction:PNOise[:STATe]	ON OFF	6.16
CALCulate<1 2>:DELTaMarker<1 to 4>:FUNction:PNOise:RESult?		6.16
CALCulate<1 2>:FEED	'XTIM:AM' 'XTIM:RFPower' 'XTIM:FM' 'XTIM:SPEctrum' 'XTIM:AMSummary' 'XTIM:FMSummary' 'XPOW:CDP' 'XPOW:CDP:RAT' 'XPOW:CDP:OVERview' 'XTIM:CDP:ERR' 'XTIM:CDP:ERR:PHASe' 'XTIM:CDP:ERR:SUMMary' 'XTIM:CDP:ERR:CTABle' 'XTIM:CDP:ERR:PCDomain' 'XTIM:CDP:MACCuracy' 'XTIM:CDP:PVSLot' 'XTIM:CDP:PVSymbol' 'XTIM:CDP:BSTReam' 'XTIM:CDP:SYMB:CONStellation' 'XTIM:CDP:SYMB:EVM'	6.17
CALCulate<1 2>:LIMit<1 to 8>:TRACe	<numeric_value>	6.20
CALCulate<1 2>:LIMit<1..8>:UNIT	DBM DBPW WATT DBUV DBMV VOLT DBUA AMPere DB DEG RAD S HZ PCT UNITLESS	6.21
CALCulate<1 2>:LIMit<1 to 8>:FAIL?		6.21
CALCulate<1 2>:LIMit<1 to 8>:CLEar[:IMMediate]		6.22
CALCulate<1 2>:LIMit<1 to 8>:COMMeNT	<string>	6.22
CALCulate<1 2>:LIMit<1 to 8>:COpy	1 to 8 <name>	6.22
CALCulate<1 2>:LIMit<1 to 8>:NAME	1 to 8 <string>	6.22
CALCulate<1 2>:LIMit<1 to 8>:DELeTe		6.23
CALCulate<1 2>:LIMit<1 to 8>:ESPeCtrum:MODE	AUTO MANual USER	6.24
CALCulate<1 2>:LIMit<1 to 8>:ESPeCtrum:VALue	<numeric_value>	6.24
REStore		6.25
CALCulate<1 2>:LIMit<1 to 8>:ACPower[:STATe]	ON OFF	6.26
CALCulate<1 2>:LIMit<1 to 8>:ACPower:ACHannel[:RELative]	0 to 100 DB, 0 to 100 DB	6.27
CALCulate<1 2>:LIMit<1 to 8>:ACPower:ACHannel[:RELative]:STATe	ON OFF	6.28
CALCulate<1 2>:LIMit<1 to 8>:ACPower:ACHannel:ABSolute	-200 to 200 DBM, -200 to 200 DBM	6.29
CALCulate<1 2>:LIMit<1 to 8>:ACPower:ACHannel:ABSolute:STATe	ON OFF	6.30
CALCulate<1 2>:LIMit<1 to 8>:ACPower:ACHannel:RESult?		6.31
CALCulate<1 2>:LIMit<1 to 8>:ACPower:ALTeRnate<1 2>[:RELative]	0 to 100 DB, 0 to 100 DB	6.32
CALCulate<1 2>:LIMit<1 to 8>:ACPower:ALTeRnate<1 2>[:RELative]:STATe	ON OFF	6.33
CALCulate<1 2>:LIMit<1 to 8>:ACPower:ALTeRnate<1 2>:ABSolute	-200 to 200 DBM, -200 to 200 DBM	6.34
CALCulate<1 2>:LIMit<1 to 8>:ACPower:ALTeRnate<1 2>:ABSolute:STATe	ON OFF	6.35
CALCulate<1 2>:LIMit<1 to 8>:ACPower:ALTeRnate<1 2>:RESult?		6.36
CALCulate<1 2>:LIMit<1 to 8>:CONTRol[:DATA]	<numeric value>,<numeric value>	6.37
CALCulate<1 2>:LIMit<1 to 8>:CONTRol:DOMain	FREQuency TIME	6.37
CALCulate<1 2>:LIMit<1 to 8>:CONTRol:OFFset	<numeric value>	6.38
CALCulate<1 2>:LIMit<1 to 8>:CONTRol:MODE	RELative ABSolute	6.38
CALCulate<1 2>:LIMit<1 to 8>:CONTRol:SHIFt	<numeric_value>	6.38
CALCulate<1 2>:LIMit<1 to 8>:LOWer[:DATA]	<numeric value>	6.39
CALCulate<1 2>:LIMit<1 to 8>:LOWer:STATe	ON OFF	6.40
CALCulate<1 2>:LIMit<1 to 8>:LOWer:OFFset	<numeric value>	6.40
CALCulate<1 2>:LIMit<1 to 8>:LOWer:MARGin	<numeric value>	6.40
CALCulate<1 2>:LIMit<1 to 8>:LOWer:MODE	RELative ABSolute	6.40
CALCulate<1 2>:LIMit<1 to 8>:LOWer:SHIFt	<numeric_value>	6.41

Command	Parameter	Page
CALCulate<1 2>:LIMit<1 to 8>:LOWer:THReshold	<numeric value>	6.41
CALCulate<1 2>:LIMit<1 to 8>:UPPer[:DATA]	<numeric value>	6.42
CALCulate<1 2>:LIMit<1 to 8>:UPPer:STATe	ON OFF	6.43
CALCulate<1 2>:LIMit<1 to 8>:UPPer:OFFset	<numeric value>	6.43
CALCulate<1 2>:LIMit<1 to 8>:UPPer:MARGin	<numeric value>	6.43
CALCulate<1 2>:LIMit<1 to 8>:UPPer:MODE	RELative ABSolute	6.44
CALCulate<1 2>:LIMit<1 to 8>:UPPer:SHIFt	<numeric_value>	6.44
CALCulate<1 2>:LIMit<1 to 8>:UPPer:THReshold	<numeric value>	6.44
CALCulate<1 2>:MARKer<1 to 4>[:STATe]	ON OFF	6.45
CALCulate<1 2>:MARKer<1 to 4>:AOFF		6.46
CALCulate<1 2>:MARKer<1 to 4>:TRACe	1 to 3	6.46
CALCulate<1 2>:MARKer<1 to 4>:X	0 to MAX (frequency sweep time)	6.46
CALCulate<1 2>:MARKer<1 to 4>:X:SLIMits[:STATe]	ON OFF	6.46
CALCulate<1 2>:MARKer<1 to 4>:X:SLIMits:LEFT	0 to MAX (frequency sweep time)	6.47
CALCulate<1 2>:MARKer<1 to 4>:X:SLIMits:RIGHT	0 to MAX (frequency sweep time)	6.47
CALCulate<1 2>:MARKer<1 to 4>:COUNT	ON OFF	6.48
CALCulate<1 2>:MARKer<1 to 4>:COUNT:RESolution	0.1 1 10 100 1000 10000 Hz	6.48
CALCulate<1 2>:MARKer<1 to 4>:COUNT:FREQuency?		6.48
CALCulate<1 2>:MARKer<1 to 4>:LOEXclude	ON OFF	6.49
CALCulate<1 2>:MARKer<1 to 4>:Y?		6.49
CALCulate<1 2>:MARKer<1 to 4>:Y:PERCent	0 to 100%	6.49
CALCulate<1 2>:MARKer<1 to 4>:MAXimum[:PEAK]		6.50
CALCulate<1 2>:MARKer<1 to 4>:MAXimum:NEXT		6.50
CALCulate<1 2>:MARKer<1 to 4>:MAXimum:RIGHT		6.50
CALCulate<1 2>:MARKer<1 to 4>:MAXimum:LEFT		6.51
CALCulate<1 2>:MARKer<1 to 4>:MINimum[:PEAK]		6.51
CALCulate<1 2>:MARKer<1 to 4>:MINimum:NEXT		6.51
CALCulate<1 2>:MARKer<1 to 4>:MINimum:RIGHT		6.52
CALCulate<1 2>:MARKer<1 to 4>:MINimum:LEFT		6.52
CALCulate<1 2>:MARKer<1 to 4>:PEXCursion	<numeric value>	6.52
CALCulate<1 2>:MARKer<1 to 4>:FUNCTion:ADEMod:FM[:RESult<1 to 3>]?	PPEak MPEak MIDDLE RMS	6.53
CALCulate<1 2>:MARKer<1 to 4>:FUNCTion:ADEMod:AFRequency[:RESult<1 to 3>]?		6.53
CALCulate<1 2>:MARKer<1 to 4>:FUNCTion:ADEMod:FERRor[:RESult<1 to 3>]?		6.54
CALCulate<1 2>:MARKer<1 to 4>:FUNCTion:ADEMod:CARRier[:RESult<1 to 3>]?		6.54
CALCulate<1 2>:MARKer<1 to 4>:FUNCTion:FPEaks[:IMMediate]	<numeric value>	6.55
CALCulate<1 2>:MARKer<1 to 4>:FUNCTion:FPEaks:COUNt?		6.56
CALCulate<1 2>:MARKer<1 to 4>:FUNCTion:FPEaks:X?		6.56
CALCulate<1 2>:MARKer<1 to 4>:FUNCTion:FPEaks:X?		6.57
CALCulate<1 2>:MARKer<1 to 4>:FUNCTion:FPEaks:SORT	X Y	6.57
CALCulate<1 2>:MARKer<1 to 4>:FUNCTion:NDBDown	<numeric value>	6.57
CALCulate<1 2>:MARKer<1 to 4>:FUNCTion:NDBDown:STATe	ON OFF	6.58
CALCulate<1 2>:MARKer<1 to 4>:FUNCTion:NDBDown:RESult?		6.58
CALCulate<1 2>:MARKer<1 to 4>:FUNCTion:NDBDown:FREQuency?		6.59
CALCulate<1 2>:MARKer:FUNCTion:ZOOM	<numeric value>	6.59
CALCulate<1 2>:MARKer<1 to 4>:FUNCTion:NOISe[:STATe]	ON OFF	6.60

Command	Parameter	Page
CALCulate<1 2>:MARKer<1 to 4>:FUNction:NOISe:RESult?		6.60
CALCulate<1 2>:MARKer<1 to 4>:FUNction:DEModulation:SElect	AM FM	6.60
CALCulate<1 2>:MARKer<1 to 4>:FUNction:DEModulation[:STATe]	ON OFF	6.61
CALCulate<1 2>:MARKer<1 to 4>:FUNction:DEModulation:HOLDoff	10ms to 1000s	6.61
CALCulate<1 2>:MARKer<1 to 4>:FUNction:DEModulation:CONTinuous	ON OFF	6.61
CALCulate<1 2>:MARKer<1 to 4>:FUNction:MDEPth[:STATe]		6.62
CALCulate<1 2>:MARKer<1 to 4>:FUNction:MDEPth:RESult?		6.62
CALCulate<1 2>:MARKer<1 to 4>:FUNction:TOI[:STATe]	ON OFF	6.63
CALCulate<1 2>:MARKer<1 to 4>:FUNction:TOI:RESult?		6.63
CALCulate<1 2>:MARKer<1 to 4>:FUNction:CENTer		6.64
CALCulate<1 2>:MARKer<1 to 4>:FUNction:CSTep		6.64
CALCulate<1 2>:MARKer<1 to 4>:FUNction:REFerence		6.64
CALCulate<1 2>:MARKer<1 to 4>:FUNction:POWer:SElect?	ACPower CPOWer OBANdwidth OBWidth CN CN0	6.65
CALCulate<1 2>:MARKer<1 to 4>:FUNction:POWer:RESult?	ACPower CPOWer OBANdwidth OBWidth CN CN0	6.66
CALCulate<1 2>:MARKer<1 to 4>:FUNction:POWer:RESult:PHZ	ON OFF	6.68
CALCulate<1 2>:MARKer<1 to 4>:FUNction:POWer[:STATe]	OFF	6.69
CALCulate<1 2>:MARKer<1 to 4>:FUNction:POWer:PRESet	<standard>	6.69
CALCulate<1 2>:MARKer<1 to 4>:FUNction:STRack[:STATe]	ON OFF	6.70
CALCulate<1 2>:MARKer<1 to 4>:FUNction:STRack:BANdwidth BWIDth	10 Hz to MAX(SPAN)	6.70
CALCulate<1 2>:MARKer<1 to 4>:FUNction:STRack:THReshold	-330 dBm to +30 dBm	6.71
CALCulate<1 2>:MARKer<1 to 4>:FUNction:STRack:TRACe	1 to 3	6.71
CALCulate<1 2>:MARKer<1 to 4>:FUNction:SUMMary[:STATe]	ON OFF	6.73
CALCulate<1 2>:MARKer<1 to 4>:FUNction:SUMMary:PPEak[:STATe]	ON OFF	6.73
CALCulate<1 2>:MARKer<1 to 4>:FUNction:SUMMary:PPEak:RESult?		6.73
CALCulate<1 2>:MARKer<1 to 4>:FUNction:SUMMary:PPEak:AVERAge:RESult?		6.74
CALCulate<1 2>:MARKer<1 to 4>:FUNction:SUMMary:PPEak:PHOLd:RESult?		6.74
CALCulate<1 2>:MARKer<1 to 4>:FUNction:SUMMary:RMS[:STATe]	ON OFF	6.75
CALCulate<1 2>:MARKer<1 to 4>:FUNction:SUMMary:RMS:RESult?		6.75
CALCulate<1 2>:MARKer<1 to 4>:FUNction:SUMMary:RMS:AVERAge:RESult?		6.75
CALCulate<1 2>:MARKer<1 to 4>:FUNction:SUMMary:RMS:PHOLd:RESult?		6.76
CALCulate<1 2>:MARKer<1 to 4>:FUNction:SUMMary:MEAN[:STATe]	ON OFF	6.76
CALCulate<1 2>:MARKer<1 to 4>:FUNction:SUMMary:MEAN:RESult?		6.77
CALCulate<1 2>:MARKer<1 to 4>:FUNction:SUMMary:MEAN:AVERAge:RESult?		6.77
CALCulate<1 2>:MARKer<1 to 4>:FUNction:SUMMary:MEAN:PHOLd:RESult?		6.78
CALCulate<1 2>:MARKer<1 to 4>:FUNction:SUMMary:SDEViation[:STATe]	ON OFF	6.78
CALCulate<1 2>:MARKer<1 to 4>:FUNction:SUMMary:SDEViation:RESult?		6.79
CALCulate<1 2>:MARKer<1 to 4>:FUNction:SUMMary:SDEViation:AVERAge:RESult?		6.79
CALCulate<1 2>:MARKer<1 to 4>:FUNction:SUMMary:SDEViation:PHOLd:RESult?		6.80
CALCulate<1 2>:MARKer<1 to 4>:FUNction:SUMMary:PHOLd	ON OFF	6.80
CALCulate<1 2>:MARKer<1 to 4>:FUNction:SUMMary:AVERAge	ON OFF	6.81
CALCulate<1 2>:MARKer<1 to 4>:FUNction:SUMMary:MODE	ABSolute RELative	6.81
CALCulate<1 2>:MARKer<1 to 4>:FUNction:SUMMary:REFerence:AUTO	ONCE	6.82
CALCulate<1 2>:MARKer<1 to 4>:FUNction:SUMMary:AOFF		6.82

Command	Parameter	Page
CALCulate<1 2>:MARKer<1 to 4>:FUNction:MSUMmary?	<time offset of first pulse>, <measurement time>, <period>, < # of pulses to measure>	6.83
CALCulate<1 2>:MARKer<1>:FUNction:CPICh		6.84
CALCulate<1 2>:MARKer<1.>:FUNction:PCCPch		6.84
CALCulate<1 2>:MARKer<1.>:FUNction:DPCCh		6.85
CALCulate<1 2>:MARKer<1 to 4>:FUNction:WCDPower:BTS:RESult?	PTOTal FERRor TFRAme MACCuracy PCDError EVMRms EVMPeak CERRor CSLot SRATe CHANNel CDPabsolute CDPRelative IQOFset IQIMbalance	6.85
CALCulate<1 2>:MARKer<1 to 4>:FUNction:WCDPower:MS:RESult?	PTOTal FERRor TFRAme MACCuracy PCDError EVMRms EVMPeak CERRor SRATe CHANNel CDPabsolute CDPRelative IQOFset IQIMbalance CMAPing PSYMBOL	6.86
CALCulate<1 2>:MATH[:EXPRession][:DEFine]	<expr>	6.87
CALCulate<1 2>:MATH:POS	-100PCT to 200PCT	6.87
CALCulate<1 2>:MATH:STATe	ON OFF	6.88
CALCulate<1 2>:MATH:MODE LINear LOGarithmic		6.88
CALCulate:STATistics:APD[:STATe]	ON OFF	6.89
CALCulate:STATistics:CCDF[:STATe]	ON OFF	6.89
CALCulate:STATistics:NSAMples	100 to 1E9	6.90
CALCulate:STATistics:SCALE:AUTO	ONCE	6.90
CALCulate:STATistics:SCALE:X:RLEVEL	-130dBm to 30dBm	6.90
CALCulate:STATistics:SCALE:X:RANGE	-10dB to 200dB	6.91
CALCulate:STATistics:SCALE:Y:UPPer	-1E-8 to 1.0	6.91
CALCulate:STATistics:SCALE:Y:LOWer	-1E-9 to 0.1	6.91
CALCulate:STATistics:PRESet		6.91
CALCulate:STATistics:Result<1 to 3>?	MEAN PEAK CFACtor ALL	6.92
CALCulate<1 2>:DLINe<1 2>	MIN to MAX (depending on current unit)	6.93
CALCulate<1 2>:DLINe<1 2>:STATe	ON OFF	6.93
CALCulate<1 2>:THReshold	MIN to MAX (depending on current unit)	6.93
CALCulate<1 2>:THReshold:STATe	ON OFF	6.94
CALCulate<1 2>:FLINe<1 2>	0 to fmax	6.94
CALCulate<1 2>:FLINe<1 2>:STATe	ON OFF	6.94
CALCulate<1 2>:TLINe<1 2>	0 to 1000s	6.94
CALCulate<1 2>:TLINe<1 2>:STATe	ON OFF	6.94
CALCulate<1 2>:UNIT:POWER	DBM V A W DBPW WATT DBUV DBMV VOLT DBUA AMPere DBPT DBUA_M DBUV_M	6.95
CALibration[:ALL]?		6.96
CALibration:ABORT		6.96
CALibration:RESult?		6.97
CALibration:STATe	ON OFF	6.97
CONFigure:CHANnel:SLOT:MULTi	ACT1_SYNC1 ACT2_SYNC1 ACT2_SYNC2 ACT3_SYNC1 ACT3_SYNC2 ACT3_SYNC3 ACT4_SYNC1 ACT4_SYNC2 ACT4_SYNC3 ACT4_SYNC4 ACT8SYNC1 ACT8SYNC2 ACT8SYNC3 ACT8SYNC4 ACT8SYNC5 ACT8SYNC6 ACT8SYNC7 ACT8SYNC8	6.98
CONFigure:CHANnel:TSC	0 to 7 USER	6.99

Command	Parameter	Page
CONFigure:CHANnel:TSC:USER	<string>	6.100
CONFigure:PRATe 4 8		6.100
CONFigure:REStore		6.101
CONFigure:MTYPe	GMSK EDGE	6.101
CONFigure:BURSt:PFERror[:IMMEDIATE]		6.102
CONFigure:BURSt:MACCuracy[:IMMEDIATE]		6.103
CONFigure:BURSt:POWer[:IMMEDIATE]		6.103
CONFigure:BURSt:PTEmplate[:IMMEDIATE]		6.103
CONFigure:BURSt:PTEmplate:SElect	FULL TOP RISING FALLING	6.104
CONFigure:SPEctrum:MODulation[:IMMEDIATE]		6.105
CONFigure:SPEctrum:SWITching[:IMMEDIATE]		6.105
CONFigure:SPURious[:IMMEDIATE]		6.106
CONFigure:WCDPower[:BTS]:MEASurement:	POWer ACLR ESpectrum OBANdwith OBWidth WCDPower FDOmain TDOmain CCDF	6.107
CONFigure<1>:WCDPower[:BTS]:CTABLE[:STATe]	ON OFF	6.108
CONFigure<1>:WCDPower[:BTS]:CTABLE:SElect	<file_name>	6.108
CONFigure<1>:WCDPower[:BTS]:CTABLE:NAME	<file_name>	6.108
CONFigure<1>:WCDPower[:BTS]:CTABLE:DATA	2 to 9, 0 to 511, 0 1, <numeric_value> AUTO, 2 4 8 16, 0 1, <numeric_value> ...	6.108
CONFigure<1>:WCDPower[:BTS]:CTABLE:COMMeNT	<string>	6.109
CONFigure<1>:WCDPower[:BTS]:CTABLE:COpy	<file_name>	6.109
CONFigure<1>:WCDPower[:BTS]:CTABLE:DELeTe		6.110
CONFigure<1>:WCDPower[:BTS]:CTABLE:CATALog?*		6.110
CONFigure<1>:WCDPower[:BTS]:CTABLE:REStore		6.110
CONFigure:WCDPower:MS:MEASurement	POWer ACLR ESpectrum OBANdwith OBWidth WCDPower FDOmain TDOmain CCDF	6.110
CONFigure<1>:WCDPower:MS:CTABLE[:STATe]	ON OFF	6.111
CONFigure<1>:WCDPower:MS:CTABLE:SElect	<string>	6.111
CONFigure<1>:WCDPower:MS:CTABLE:NAME	<file_name>	6.111
CONFigure<1>:WCDPower:MS:CTABLE:DATA	<numeric_value>, <numeric_value> ...	6.111
CONFigure<1>:WCDPower:MS:CTABLE:COMMeNT	<string>	6.112
CONFigure<1>:WCDPower:MS:CTABLE:COpy	<file_name>	6.112
CONFigure<1>:WCDPower[:BTS]:CTABLE:DELeTe		6.112
CONFigure<1>:WCDPower:MS:CTABLE:CATALog?*		6.113
DIAGnostic<1 2>:SERVice:INPut[:SElect]	CALibration RF	6.114
DIAGnostic<1 2>:SERVice:INPut:PULSed[:State]	ON OFF	6.114
DIAGnostic<1 2>:SERVice:INPut:PULSed:PRATe!10 kHz 100 kHz 1 MHz 640 MHz		6.115
DIAGnostic<1 2>:SERVice:SFUNction	<string> to	6.115
DIAGnostic<1 2>:SERVice:NSource	ON OFF	6.115
DIAGnostic<1 2>:SERVice:CSource[:POWer]	<numeric_value>	6.115
DIAGnostic<1 2>:SERVice:STESt:RESult?		6.116
DIAGnostic<1 2>:SERVice:HWINfo?		6.116
DISPlay:FORmat	SINGle SPLit	6.118
DISPlay:ANNotation:FREQUency	ON OFF	6.118

Command	Parameter	Page
DISPlay:LOGO	ON OFF	6.118
DISPlay:PSAVe[:STATe]	ON OFF	6.118
DISPlay:PSAVe:HOLDoff	0 to 60	6.118
DISPlay:CMAP<1 to 26>:DEFault<1 2>		6.119
DISPlay:CMAP<1 to 26>:HSL	0..1,0..1,0..1	6.119
DISPlay:CMAP<1 to 26>:PDEFined	<color>	6.120
DISPlay[:.WINDow<1 2>]:SElect		6.120
DISPlay[:.WINDow<1 2>]:TEXT[:DATA]	<string>	6.120
DISPlay[:.WINDow<1 2>]:TEXT:STATe	ON OFF	6.121
DISPlay[:.WINDow<1 2>]:TIME	ON OFF	6.121
DISPlay[:.WINDow<1 2>]:TRACe<1 to 3>:Y[:SCALe]	10dB to 200dB	6.121
DISPlay[:.WINDow<1 2>]:TRACe<1 to 3>:Y[:SCALe]:MODE	ABSolute RELative	6.121
DISPlay[:.WINDow<1 2>]:TRACe<1 to 3>:Y[:SCALe]:RLEVel	-130dBm to 30dBm	6.122
DISPlay[:.WINDow<1 2>]:TRACe<1 to 3>:Y[:SCALe]:RLEVel:OFFSet	-200dB to 200dB	6.122
DISPlay[:.WINDow<1 2>]:TRACe<1 to 3>:Y[:SCALe]:RVALue	<numeric value>	6.122
DISPlay[:.WINDow<1 2>]:TRACe<1 to 3>:Y[:SCALe]:RPOSition	0 to 100 PCT	6.123
DISPlay[:.WINDow<1 2>]:TRACe<1 to 3>:Y[:SCALe]:PDIVision		6.123
DISPlay[:.WINDow<1 2>]:TRACe<1 to 3>:Y:SPACing	LINear LOGarithmic	6.123
DISPlay[:.WINDow<1 2>]:TRACe<1 to 3>:MODE	WRITe VIEW AVERAge MAXHold MINHold	6.124
DISPlay[:.WINDow<1 2>]:TRACe<1 to 3>[:STATe]	ON OFF	6.124
FETCh:BURSt:PERRor:RMS:AVERAge?		6.126
FETCh:BURSt:PERRor:RMS:MAXimum?		6.126
FETCh:BURSt:PERRor:PEAK:AVERAge?		6.127
FETCh:BURSt:PERRor:PEAK:MAXimum?		6.127
FETCh:BURSt:FERRor:AVERAge?		6.128
FETCh:BURSt:FERRor:MAXimum?		6.128
FETCh:BURSt:IQOFFset:AVERAge?		6.128
FETCh:BURSt:IQOFFset:MAXimum?		6.129
FETCh:BURSt:IQIMbalance:AVERAge?		6.129
FETCh:BURSt:IQIMbalance:MAXimum?		6.130
FETCh:BURSt:PTEMplate:REFerence?		6.130
FETCh:BURSt:MACCuracy:RMS:AVERAge?		6.131
FETCh:BURSt:MACCuracy:RMS:MAXimum?		6.131
FETCh:BURSt:MACCuracy:PEAK:AVERAge?		6.132
FETCh:BURSt:MACCuracy:PEAK:MAXimum?		6.133
FETCh:BURSt:MACCuracy:OSUPpress:AVERAge?		6.133
FETCh:BURSt:MACCuracy:OSUPpress:MAXimum?		6.134
FETCh:BURSt:MACCuracy:PERCentile:AVERAge?		6.134
FETCh:BURSt:MACCuracy:PERCentile:MAXimum?		6.135
FETCh:BURSt:MACCuracy:FREQUency:AVERAge?		6.135
FETCh:BURSt:MACCuracy:FREQUency:MAXimum?		6.136
FETCh:BURSt:MACCuracy:IQOFFset:AVERAge?		6.136
FETCh:BURSt:MACCuracy:IQOFFset:MAXimum?		6.137
FETCh:BURSt:MACCuracy:IQIMbalance:AVERAge?		6.137
FETCh:BURSt:MACCuracy:IQIMbalance:MAXimum?		6.138

Command	Parameter	Page
FETCh:MODulation[:ALL]?	ARFCn	6.140
FETCh:SPECTrum:MODulation:REference?		6.141
FETCh:SPECTrum:SWITChing[:ALL]?		6.142
FORMat[:DATA]	ASCIi REAL UINt[, 8 32]	6.143
FORMat:DEXPort:DSEParator POINt COMMa		6.143
HCOPy:ABORt		6.144
HCOPy:CMAP<1 to 26>:DEFault<1 2 3>		6.144
HCOPy:CMAP<1 to 26>:HSL	0..1,0..1,0..1	6.145
HCOPy:CMAP<1 to 26>:PDEFined	<color>	6.146
HCOPy:DESTination<1 2>	'MMEM' 'SYST:COMM:PRIN' 'SYST:COMM:CLIP'	6.146
HCOPy:DEVice:COLor	ON OFF	6.147
HCOPy:DEVice:LANGUage<1 2>	GDI WMF EWMF BMP	6.147
HCOPy[:IMMediate]		6.147
HCOPy:ITEM:ALL		6.148
HCOPy:ITEM:WINDow<1 2>:TABLe:STATe	ON OFF	6.148
HCOPy:ITEM:WINDow<1 2>:TEXT	<string>	6.148
HCOPy:ITEM:WINDow<1 2>:TRACe:STATe	ON OFF	6.148
HCOPy:PAGE:ORientation<1 2>	LANDscape PORTrait	6.149
INITiate<1 2>:CONTInuous	ON OFF	6.150
INITiate<1 2>:CONMeas	ON OFF	6.150
INITiate<1 2>[:IMMediate]		6.151
INITiate<1 2>:DISPlay	ON OFF	6.151
INPut<1 2>:ATTenuation	0 to 70/75dB	6.152
INPut<1 2>:ATTenuation	0 to 70dB	6.152
INPut<1 2>:ATTenuation:AUTO	ON OFF	6.152
INPut<1 2>:EATT	0 to 30dB	6.153
INPut<1 2>:EATT:AUTO\$ON OFF		6.153
INPut<1 2>:EATT:STATe\$ON OFF		6.153
INPut<1 2>:IMPedance	50 75	6.154
INPut<1 2>:GAIN:STATe	ON OFF	6.154
INSTRument<1 2>[:SELect]	SANalyzer ADEMod MGSM WCDPower BWCDpower MWCDpower	6.155
INSTRument<1 2>:NSElect	<numeric value>	6.156
INSTRument:COUPle	NONE RLEVel CF_B CF_A	6.156
MMEMory:CATalog?	Pfad	6.159
MMEMory:CDIRectory	directory name	6.159
MMEMory:COPIY	path, file name	6.159
MMEMory:DATA	<file name>,<block data>	6.160
MMEMory:DELete	path, file name	6.161
MMEMory:LOAD:STATe	1, Path	6.162
MMEMory:LOAD:AUTO	1, Path	6.163
MMEMory:MDIRectory	Path	6.163
MMEMory:MOVE	Path	6.164
MMEMory:MSIS	'A:' 'D:'	6.164
MMEMory:NAME	path, file name	6.164

Command	Parameter	Page
MMEemory:RDIRECTory	directory name	6.165
MMEemory:STORe<1 2>:STATe	1, Path	6.165
MMEemory:STORe<1 2>:TRACe	1 to 3, Path	6.165
MMEemory:CLear:STATe	1, Path	6.166
MMEemory:CLear:ALL		6.166
MMEemory:SElect[:ITEM]:HWSettings	ON OFF	6.166
MMEemory:SElect[:ITEM]:TRACe[:ACTive]	ON OFF	6.167
MMEemory:SElect[:ITEM]:LINES:ALL	ON OFF	6.167
MMEemory:SElect[:ITEM]:SCData	ON OFF	6.167
MMEemory:SElect[:ITEM]:TRANSDucer[:ACTive]	ON OFF	6.167
MMEemory:SElect[:ITEM]:TRANSDucer:ALL	ON OFF	6.168
MMEemory:SElect[:ITEM]:ALL		6.168
MMEemory:SElect[:ITEM]:NONE		6.168
MMEemory:SElect[:ITEM]:DEFault		6.168
MMEemory:COMMent	<string>	6.169
OUTPut<1 2>[:STATe]	ON OFF	6.170
READ:AUTO:LEVTime?		6.171
READ:BURSt:PERRor:RMS:AVERAge?		6.174
READ:BURSt:PERRor:RMS:MAXimum?		6.174
READ:BURSt:PERRor:PEAK:AVERAge?		6.175
READ:BURSt:PERRor:PEAK:MAXimum?		6.175
READ:BURSt:FERRor:AVERAge?		6.176
READ:BURSt:FERRor:MAXimum?		6.176
READ:BURSt:IQOFfset:AVERAge?		6.177
READ:BURSt:IQOFfset:MAXimum?		6.177
READ:BURSt:IQIMbalance:AVERAge?		6.178
READ:BURSt:IQIMbalance:MAXimum?		6.178
READ:BURSt:PTEMplate:REFerence[:IMMediate]?		6.179
READ:BURSt:REFerence[:IMMediate]?		6.179
READ:BURSt:MACCuracy:RMS:AVERAge?		6.180
READ:BURSt:MACCuracy:RMS:MAXimum?		6.180
READ:BURSt:MACCuracy:PEAK:AVERAge?		6.181
READ:BURSt:MACCuracy:PEAK:MAXimum?		6.181
READ:BURSt:MACCuracy:OSUPpress:AVERAge?		6.182
READ:BURSt:MACCuracy:OSUPpress:MAXimum?		6.182
READ:BURSt:MACCuracy:PERCentile:AVERAge?		6.183
READ:BURSt:MACCuracy:PERCentile:MAXimum?		6.183
READ:BURSt:MACCuracy:FREQuency:AVERAge?		6.184
READ:BURSt:MACCuracy:FREQuency:MAXimum?		6.184
READ:BURSt:MACCuracy:IQOFfset:AVERAge?		6.185
READ:BURSt:MACCuracy:IQOFfset:MAXimum?		6.185
FETCh:BURSt:MACCuracy:IQIMbalance:AVERAge?		6.186
FETCh:BURSt:MACCuracy:IQIMbalance:MAXimum?		6.186
READ:SPECTrum:MODulation[:ALL]?		6.187
READ:SPECTrum:MODulation:REFerence[:IMMediate]?		6.188
READ:SPECTrum:SWITChing[:ALL]?		6.189

Command	Parameter	Page
[SENSe:]ADEMod:AF:COUPling	AC DC	6.193
[SENSe:]ADEMod:BANDwidth BWIDth:DEModulation	<numeric_value>	6.193
[SENSe:]ADEMod:MTIME	<numeric_value>	6.193
[SENSe:]ADEMod:RENGth?		6.194
[SENSe:]ADEMod:STATE	ON OFF	6.194
[SENSe:]ADEMod:SET	<sample rate>,<record length>,<trigger source>,<trigger slope>,<offset samples>,<# of meas>	6.194
[SENSe:]ADEMod:SRATE?		6.195
[SENSe:]ADEMod:AM[:TYPE]	<result type 1>,<result type 2>,<result type 3>	6.196
[SENSe:]ADEMod:AM:RESult?	<result type>	6.196
[SENSe:]ADEMod:FM[:TYPE]	<result type 1>,<result type 2>,<result type 3>	6.197
[SENSe:]ADEMod:FM:RESult?	<result type>	6.198
[SENSe:]ADEMod:FM:OFFset?	<result type>	6.199
[SENSe:]ADEMod:SPECTrum: BANDwidth BWIDth[:RESolution]	1 Hz to 10 MHz	6.200
[SENSe:]ADEMod:SPECTrum:SPAN	<numeric_value>	6.200
[SENSe:]ADEMod:SPECTrum[:TYPE]	<result type 1>,<result type 2>,<result type 3>	6.201
[SENSe:]ADEMod:SPECTrum:OFFset?	<result type>	6.201
[SENSe<1 2>:]ADEMod:ZOOM[:STATE]	ON OFF	6.202
[SENSe<1 2>:]ADEMod:ZOOM:START	0s to measurement time	6.203
[SENSe<1 2>:]AVERAge:COUNT	0 to 32767	6.204
[SENSe<1 2>:]AVERAge[:STATE<1 to 3>]	ON OFF	6.204
[SENSe<1 2>:]AVERAge:TYPE	VIDeo LINear	6.205
[SENSe<1 2>:]BANDwidth BWIDth[:RESolution]	10Hz to 10MHz (analog filter) 1Hz to 10MHz (FFT filter)	6.206
[SENSe<1 2>:]BANDwidth BWIDth[:RESolution]:AUTO	ON OFF	6.207
[SENSe<1 2>:]BANDwidth BWIDth[:RESolution]:RATio	0.0001 to 1	6.207
[SENSe<1 2>:]BANDwidth BWIDth[:RESolution]:TYPE	NORMal FFT CFILter RRC	6.208
[SENSe<1 2>:]BANDwidth BWIDth:VIDeo	1Hz to 10MHz	6.208
[SENSe<1 2>:]BANDwidth BWIDth:VIDeo:AUTO	ON OFF	6.208
[SENSe<1 2>:]BANDwidth BWIDth:VIDeo:RATio	0.01 to 1000	6.209
[SENSe<1 2>:]BANDwidth BWIDth:VIDeo:TYPE	LINear LOGarithmic	6.209
[SENSe<1 2>:]BANDwidth BWIDth:DEMod	<numeric_value>	6.210
[SENSe<1 2>:]CDPower:PRESet		6.211
[SENSe<1 2>:]CDPower:MPERiod	1 2 4 8 12 16 20 24	6.211
[SENSe<1 2>:]CDPower:MPERiod:AUTO	ON OFF	6.212
[SENSe<1 2>:]CDPower:PNOFset	<num_value>	6.212
[SENSe<1 2>:]CDPower:ICTReshold	-59 to 10 dB	6.212
[SENSe<1 2>:]CDPower:SBAND	NORMal INVers	6.212
[SENSe<1 2>:]CDPower:LEVel:ADJust		6.212
[SENSe<1 2>:]CDPower:LCODE[:VALue]	<hex>	6.213
[SENSe<1 2>:]CDPower:LCODE:TYPE	LONG SHORt	6.213
[SENSe<1 2>:]CDPower:CODE	0 to 511	6.213
[SENSe<1 2>:]CDPower:SLOT	0 to 14	6.213
[SENSe<1 2>:]CDPower:MAPPing	I Q	6.213
[SENSe<1 2>:]CDPower:SFACTor	4 8 16 32 64 128 256 512	6.214

Command	Parameter	Page
[SENSe:]CDPower:NORMalize	ON OFF	6.214
[SENSe:]CDPower:QINVert	ON OFF	6.214
[SENSe:]CDPower:PREFERENCE	TOTAL CPICH	6.214
[SENSe<1 2>:]CDPower:SType	CPICH SCHannel	6.214
[SENSe<1 2>:]CDPower:ANTenna	OFF <numeric_value>	6.215
[SENSe<1 2>:]CORRection[:STATe]	ON OFF	6.216
[SENSe<1 2>:]CORRection:METhod	TRANsmission REFLEXion	6.216
[SENSe<1 2>:]CORRection:COLLect[:ACQuire]	THROUGH OPEN	6.217
[SENSe<1 2>:]CORRection:RECall		6.217
[SENSe<1 2>:]CORRection:TRANsdUcer:SElect	<name>	6.217
[SENSe<1 2>:]CORRection:TRANsdUcer:UNIT	<string>	6.218
[SENSe<1 2>:]CORRection:TRANsdUcer:SCALing	LINear LOGarithmic	6.218
[SENSe<1 2>:]CORRection:TRANsdUcer:COMMeNT	<string>	6.218
[SENSe<1 2>:]CORRection:TRANsdUcer:DATA	<freq>,<level>..	6.219
[SENSe<1 2>:]CORRection:TRANsdUcer[:STATe]	ON OFF	6.219
[SENSe<1 2>:]CORRection:TRANsdUcer:DELeTe		6.219
[SENSe<1 2>:]CORRection:TRANsdUcer:VIEW	ON OFF	6.219
[SENSe<1 2>:]DETEctor<1..4>[:FUNCTion]	APEak NEGative POSitive SAMPlE RMS AVERAge QPEak	6.220
[SENSe<1 2>:]DETEctor[:FUNCTion]:AUTO	ON OFF	6.220
[SENSe<1 2>:]FREQuency:CENTer	0 to f_{max}	6.221
[SENSe<1 2>:]FREQuency:CENTer:STEP	0 to f_{max}	6.221
[SENSe<1 2>:]FREQuency:CENTer:STEP:LINK	SPAN RBW OFF	6.221
[SENSe<1 2>:]FREQuency:CENTer:STEP:LINK:FACTor	1 to 100 PCT	6.222
[SENSe<1 2>:]FREQuency:SPAN	0 to f_{max}	6.222
[SENSe<1 2>:]FREQuency:SPAN:FULL		6.222
[SENSe<1 2>:]FREQuency:STARt	0 to f_{max}	6.222
[SENSe<1 2>:]FREQuency:STOP	0 to f_{max}	6.223
[SENSe<1 2>:]FREQuency:MODE	CW FIXed SWEep	6.223
[SENSe<1 2>:]FREQuency:OFFSet	<numeric_value>	6.223
[SENSe<1 2>:]LIST:POWer[:SEQuence]	<analyzer freq>,<ref level>,<rf att>,<el att>,<filter type>,<rbw>,<vbw>,<meas time>,<trigger level>, to	6.225
[SENSe<1 2>:]LIST:POWer:SET	<PEAK meas>,<RMS meas>,<AVG meas>,<trigger mode>,<trigger slope>,<trigger offset>,<gate length>	6.228
[SENSe<1 2>:]LIST:POWer:RESult?		6.229
[SENSe<1 2>:]LIST:POWer:STATe	OFF	6.229
[SENSe<1 2>:]MPOWer[:SEQuence]	<analyzer freq>,<rbw>,<meas time>,<trigger source>,<trigger level>,<trigger offset>,<type of meas>,<# of meas>	6.231
[SENSe<1 2>:]MPOWer:RESult[:LIST]?		6.233
[SENSe<1 2>:]MPOWer:RESult:MIN?		6.233
[SENSe<1 2>:]POWer:ACHannel:SPACing[:ACHannel]	100 to 2000MHz	6.234
[SENSe<1 2>:]POWer:ACHannel:SPACing:ALTErnate<1 2>	100 to 2000MHz	6.235
[SENSe<1 2>:]POWer:ACHannel:ACPairs	0 to 3	6.235
[SENSe<1 2>:]POWer:ACHannel:BANdwidth BWIDth[:CHANnel]	100 to 1000MHz	6.235
[SENSe<1 2>:]POWer:ACHannel:BANdwidth BWIDth:ACHannel	100 to 1000MHz	6.236

Command	Parameter	Page
[SENSe<1 2>:]POWer:ACHannel:BANDwidth BWIDth:ALTernate<1 2>	100 to 1000MHz	6.236
[SENSe<1 2>:]POWer:ACHannel:MODE	ABSolute RELative	6.236
[SENSe<1 2>:]POWer:ACHannel:REFerence:AUTO	ONCE	6.237
[SENSe<1 2>:]POWer:ACHannel:PRESet	ACPowEr CPOWer OBANdwidth OBWidth CN CN0	6.237
[SENSe<1 2>:]POWer:ACHannel:PRESet:RLEVel		6.237
[SENSe<1 2>:]POWer:BANDwidth BWIDth	10 to 99.9PCT	6.238
[SENSe<1 2>:]POWer:HSPeEd	ON OFF	6.238
[SENSe<1 2>:]POWer:NCORrection	ON OFF	6.238
[SENSe<1 2>:]POWer:TRACe	1 to 3	6.239
[SENSe<1 2>:]ROSCillator:SOURce	INTernal EXTernal	6.240
[SENSe<1 2>:]ROSCillator:[INTernal:]TUNe	0 to 4095	6.240
[SENSe<1 2>:]ROSCillator:[INTernal:]TUNe:SAVE		6.240
[SENSe<1 2>:]SWEep:TIME	2,5ms to 16000s 1μs to 16000s	6.241
[SENSe<1 2>:]SWEep:TIME%100μs to 100s 15 sec 2,5ms to 16000s 1μs to 16000s		6.241
[SENSe<1 2>:]SWEep:TIME:AUTO	ON OFF	6.241
[SENSe<1 2>:]SWEep:COUNt	0 to 32767	6.242
[SENSe<1 2>:]SWEep:EGATe	ON OFF	6.242
[SENSe<1 2>:]SWEep:EGATe:TYPE	LEVel EDGE	6.243
[SENSe<1 2>:]SWEep:EGATe:POLarity	POSitive NEGative	6.243
[SENSe<1 2>:]SWEep:EGATe:HOLDoff	125ns to 100s	6.243
[SENSe<1 2>:]SWEep:EGATe:LENGth	0 to 100s	6.243
[SENSe<1 2>:]SWEep:EGATe:SOURce	EXTernal IFPower	6.244
[SENSe<1 2>:]SWEep:POINts	125 to 80001	6.244
[SENSe<1 2>:]TV[:STATe]	ON OFF	6.245
[SENSe<1 2>:]TV:CCVS	INTernal EXTernal	6.245
SOURce<1 2>:AM:STATe	ON OFF	6.246
SOURce<1 2>:DM:STATe	ON OFF	6.246
SOURce<1 2>:FM:STATe	ON OFF	6.247
SOURce<1 2>:FM:DEVIation	100Hz to 10MHz	6.247
SOURce<1 2>:FREQUency:OFFSet	-150MHz to 150MHz	6.247
SOURce<1 2>:POWer[:LEVel][:IMMediate][:AMPLitude]	<numeric_value>	6.248
SOURce<1 2>:POWer[:LEVel][:IMMediate]:OFFSet	-200dB to +200dB	6.248
SOURce<1 2>:EXTernal<1 2>[:STATe]	ON OFF	6.249
SOURce<1 2>:EXTernal<1 2>:FREQUency[:FACTor]:DENominator	<numeric_value>	6.250
SOURce<1 2>:EXTernal<1 2>:FREQUency[:FACTor]:NUMerator	<numeric_value>	6.250
SOURce<1 2>:EXTernal<1 2>:FREQUency:OFFSet	<numeric_value>	6.251
SOURce<1 2>:EXTernal<1 2>:FREQUency:SWEep[:STATe]	ON OFF	6.251
SOURce<1 2>:EXTernal<1 2>:POWer[:LEVel]	<numeric_value>	6.251
SOURce<1 2>:EXTernal<1 2>:ROSCillator[:SOURce]	INTernal EXTernal	6.252
STATus:OPERation[:EVENT?]		6.254
STATus:OPERation:CONDition?		6.254
STATus:OPERation:ENABle	0 to 65535	6.254
STATus:OPERation:PTRansition	0 to 65535	6.254
STATus:OPERation:NTRansition	0 to 65535	6.255

Command	Parameter	Page
STATus:PRESet		6.255
STATus:QUESTionable[:EVENT]?		6.255
STATus:QUESTionable:CONDition?		6.255
STATus:QUESTionable:ENABle	0 to 65535	6.255
STATus:QUESTionable:PTRansition	0 to 65535	6.256
STATus:QUESTionable:NTRansition	0 to 65535	6.256
STATus:QUESTionable:POWER[:EVENT]?		6.256
STATus:QUESTionable:POWER:CONDition?		6.256
STATus:QUESTionable:POWER:ENABle	0 to 65535	6.256
STATus:QUESTionable:POWER:PTRansition	0 to 65535	6.257
STATus:QUESTionable:POWER:NTRansition	0 to 65535	6.257
STATus:QUESTionable:LIMit<1 2>[:EVENT]?		6.257
STATus:QUESTionable:LIMit<1 2>:CONDition?		6.257
STATus:QUESTionable:LIMit<1 2>:ENABle	0 to 65535	6.257
STATus:QUESTionable:LIMit<1 2>:PTRansition	0 to 65535	6.258
STATus:QUESTionable:LIMit<1 2>:NTRansition	0 to 65535	6.258
STATus:QUESTionable:LMARgin<1 2>[:EVENT]?		6.258
STATus:QUESTionable:LMARgin<1 2>:CONDition?		6.258
STATus:QUESTionable:LMARgin<1 2>:ENABle	0 to 65535	6.258
STATus:QUESTionable:LMARgin<1 2>:PTRansition	0 to 65535	6.259
STATus:QUESTionable:LMARgin<1 2>:NTRansition	0 to 65535	6.259
STATus:QUESTionable:SYNC[:EVENT]?		6.259
STATus:QUESTionable:SYNC:CONDition?		6.259
STATus:QUESTionable:SYNC:ENABle	0 to 65535	6.259
STATus:QUESTionable:SYNC:PTRansition	0 to 65535	6.260
STATus:QUESTionable:SYNC:NTRansition	0 to 65535	6.260
STATus:QUESTionable:ACPLimit[:EVENT]?		6.260
STATus:QUESTionable:ACPLimit:CONDition?		6.260
STATus:QUESTionable:ACPLimit:ENABle	0 to 65535	6.260
STATus:QUESTionable:ACPLimit:PTRansition	0 to 65535	6.261
STATus:QUESTionable:ACPLimit:NTRansition	0 to 65535	6.261
STATus:QUESTionable:FREQuency[:EVENT]?		6.261
STATus:QUESTionable:FREQuency:CONDition?		6.261
STATus:QUESTionable:FREQuency:ENABle	0 to 65535	6.261
STATus:QUESTionable:FREQuency:PTRansition	0 to 65535	6.262
STATus:QUESTionable:FREQuency:NTRansition	0 to 65535	6.262
STATus:QUEue[:NEXT?]		6.262
SYSTem:COMMunicate:GPIB[:SELF]:ADDRess	0 to 30	6.264
SYSTem:COMMunicate:GPIB[:SELF]:RTERminator	LFE0I EOI	6.264
SYSTem:COMMunicate:GPIB:RDEvice:GENerator<1 2>:ADDRess	0 to 30	6.264
SYSTem:COMMunicate:GPIB:RDEvice:GENerator<1 2>:LINK	GPIB TTL	6.265
SYSTem:COMMunicate:GPIB:RDEvice:GENerator<1 2>:TYPE	<name>	6.266
SYSTem:COMMunicate:SERial:CONTrol:DTR	IBFull OFF	6.267
SYSTem:COMMunicate:SERial:CONTrol:RTS	IBFull OFF	6.267
SYSTem:COMMunicate:SERial[:RECeive]:BAUD	110 300 600 1200 2400 9600 19200	6.267
SYSTem:COMMunicate:SERial[:RECeive]:BITS	7 8	6.268

Command	Parameter	Page
SYSTem:COMMunicate:SERial[:RECeive]:PARity[:TYPE]	EVEN ODD NONE	6.268
SYSTem:COMMunicate:SERial[:RECeive]:SBITs	1 2	6.268
SYSTem:COMMunicate:SERial[:RECeive]:PACE	XON NONE	6.268
SYSTem:COMMunicate:PRINter:ENUMerate:FIRSt?		6.269
SYSTem:COMMunicate:PRINter:ENUMerate:NEXt?		6.269
SYSTem:COMMunicate:PRINter:SELect<1 2> <printer_name>		6.269
SYSTem:DATE	1980 to 2099, 1 to 12, 1 to 31	6.270
SYSTem:DISPlay:FPANel	ON OFF	6.270
SYSTem:DISPlay:UPDate	ON OFF	6.270
SYSTem:ERRor?		6.270
SYSTem:ERRor:LIST?		6.271
SYSTem:ERRor:CLEar:ALL		6.271
SYSTem:FIRMware:UPDate	<path>	6.271
SYSTem:PASSword[:CENable]	'password'	6.272
SYSTem:PRESet		6.272
SYSTem:SET		6.272
SYSTem:SPEaker:VOLume	0 to 1	6.272
SYSTem:TIME	0 to 23, 0 to 59, 0 to 59	6.273
SYSTem:VERSiON?		6.273
TRACe<1 2>[:DATA]	TRACE1 TRACE2 TRACE3 ABITstream PWCDp , <block> <numeric_value>	6.274
TRACe<1 2>:COPY	TRACE1 TRACE2 TRACE3 , TRACE1 TRACE2 TRACE3	6.280
TRACe<1 2>:IQ:AVERage[:STATe]	ON OFF	6.283
TRACe<1 2>:IQ:AVERage:COUNT	0 to 32767	6.283
TRACe<1 2>:IQ:DATA?		6.284
TRACe<1 2>:IQ:DATA:MEMory?	<offset sample>,<number of samples>	6.285
TRACe<1 2>:IQ:SET	<filter type>, <rbw>,<sample rate>,<trigger source>,<trigger slope>,<pretrigger samples>,<# of samples>	6.286
TRACe<1 2>:IQ:SRATe 15.625kHz to 32MHz		6.287
TRACe<1 2>:IQ[:STATe]	ON OFF	6.287
TRACe<1 2>:IQ:SYNChronize[:STATe]	ON OFF	6.288
TRACe<1 2>:IQ:ONLine[:STATe]	ON OFF	6.289
TRACe<1 2>:IQ:ONLine:SFACTOR:I? TRACe<1 2>:IQ:ONLine:SFACTOR:Q?		6.290
TRIGger<1 2>[:SEQuence]:SOURce	IMMediate EXTernal VIdEO IFPower RFPower TV AF	6.291
TRIGger<1 2>[:SEQuence]:LEVel:AM	-100 to +30dBm	6.292
TRIGger<1 2>[:SEQuence]:LEVel:AF TRIGger<1 2>[:SEQuence]:LEVel:FM	-10 to +10MHz	6.292
TRIGger<1 2>[:SEQuence]:LEVel[:EXTernal]	-5.0 to +5.0V	6.293
TRIGger<1 2>[:SEQuence]:LEVel:IFPOWer	-30 to +10DBM	6.293
TRIGger<1 2>[:SEQuence]:LEVel:RFPOWer	-50 to -10DBM	6.293
TRIGger<1 2>[:SEQuence]:LEVel:VIDEO	0 to 100PCT	6.293
TRIGger<1 2>[:SEQuence]:HOLDoff	0 to 100s	6.294
TRIGger<1 2>[:SEQuence]:SLOPe	POSitive NEGative	6.294
TRIGger<1 2>[:SEQuence]:VIDEO:FORMat:LPFRame	525 625	6.294

Command	Parameter	Page
TRIGger<1 2>[:SEQuence]:VIDeo:LINE:NUMBer	<numeric_value>	6.294
TRIGger<1 2>[:SEQuence]:VIDeo:FIELD:SELEct	ALL ODD EVEN	6.295
TRIGger<1 2>[:SEQuence]:VIDeo:SSIGnal:POLarity	NEGative POSitive	6.295
TRIGger[:SEQuence]:SYNChronize:ADJust:EXTernal	-460 μ s to 100s	6.295
TRIGger[:SEQuence]:SYNChronize:ADJust:IFPower	-460 μ s to 100s	6.296
TRIGger[:SEQuence]:SYNChronize:ADJust:RFPower	-460 μ s to 100s	6.296
UNIT<1 2>:POWer	DBM DBPW WATT DBUV DBMV VOLT DBUA AMP V A W	6.297

Table of Softkeys with IEC/IEEE-Bus Command Assignment

FREQUENCY Key

FREQ	
CENTER	[SENSe:]FREQuency:CENTer <num_value>
CF-SREPSIZE	
0.1 * SPAN	[SENSe:]FREQuency:CENTer:STEP:LINK SPAN; [SENSe:]FREQuency:CENTer:STEP:LINK:FACTor 10PCT
0.5 * SPAN	[SENSe:]FREQuency:CENTer:STEP:LINK SPAN; [SENSe:]FREQuency:CENTer:STEP:LINK:FACTor 50PCT
X * SPAN	[SENSe:]FREQuency:CENTer:STEP:LINK SPAN; [SENSe:]FREQuency:CENTer:STEP:LINK:FACTor <num_value>
0.1 * RBW	[SENSe:]FREQuency:CENTer:STEP:LINK RBW; [SENSe:]FREQuency:CENTer:STEP:LINK:FACTor 10PCT
0.5 * RBW	[SENSe:]FREQuency:CENTer:STEP:LINK RBW; [SENSe:]FREQuency:CENTer:STEP:LINK:FACTor 50PCT
X * RBW	[SENSe:]FREQuency:CENTer:STEP:LINK RBW; [SENSe:]FREQuency:CENTer:STEP:LINK:FACTor <num_value>
= CENTER	no corresponding IEC/IEEE-bus command
= MARKER	no corresponding IEC/IEEE-bus command
MANUAL	[SENSe:]FREQuency:CENTer:STEP <num_value>
START	[SENSe:]FREQuency:STARt <num_value>
STOP	[SENSe:]FREQuency:STOP <num_value>
FREQUENCY OFFSET	[SENSe:]FREQuency:OFFSet <num_value>
SIGNAL TRACK	
TRACK ON OFF	CALCulate<1 2>:MARKer<1...4>:FUNction:STRack[:STATe] ON OFF
TRACK BW	CALCulate<1 2>:MARKer<1...4>:FUNction:STRack:BANDwidth <num_value>
TRACK THRESHOLD	CALCulate<1 2>:MARKer<1...4>:FUNction:STRack:THReshold <num_value>
SELECT TRACE	CALCulate<1 2>:MARKer<1...4>:FUNction:STRack:TRACe 1 2 3

SPAN Key

SPAN	
SPAN MANUAL	[SENSe:]FREQuency:SPAN <num_value>
SWEPTIME MANUAL	[SENSe:]SWEeptime <num_value>
FULL SPAN	[SENSe:]FREQuency:SPAN:FULL
ZERO SPAN	[SENSe:]FREQuency:SPAN 0HZ or [SENSe:]FREQuency:MODE CW FIXEd
LAST SPAN	no corresponding IEC/IEEE-bus command

AMPT Key

AMPT	
REF LEVEL	DISPlay[:WINDow<1 2>]:TRACe<1...3>:Y[:SCALE]:RLEVEL <num_value>
RANGE LOG 100 dB	DISPlay[:WINDow<1 2>]:TRACe<1...3>:Y:SPACing LOGarithmic; DISPlay[:WINDow<1 2>]:TRACe<1...3>:Y[:SCALE] 100 dB
RANGE LOG MANUAL	DISPlay[:WINDow<1 2>]:TRACe<1...3>:Y:SPACing LOGarithmic; DISPlay[:WINDow<1 2>]:TRACe<1...3>:Y[:SCALE] <num_value>
RANGE LINEAR	DISPlay[:WINDow<1 2>]:TRACe<1...3>:Y:SPACing LINear
UNIT	
dBm	CALCulate<1 2>:UNIT:POWER DBM
dBmV	CALCulate<1 2>:UNIT:POWER DBMV
dBµV	CALCulate<1 2>:UNIT:POWER DBUV
dBµA	CALCulate<1 2>:UNIT:POWER DBUA
dBpW	CALCulate<1 2>:UNIT:POWER DBPW
VOLT	CALCulate<1 2>:UNIT:POWER VOLT
AMPERE	CALCulate<1 2>:UNIT:POWER AMPere
WATT	CALCulate<1 2>:UNIT:POWER WATT
RF ATTEN MANUAL	INPut:ATTenuation <num_value>
RF ATTEN AUTO	INPut:ATTenuation:AUTO ON
REF LEVEL POSITION	DISPlay[:WINDow<1 2>]:TRACe<1...3>:Y[:SCALE]:RPOSITION <num_value>
REF LEVEL OFFSET	DISPlay[:WINDow<1 2>]:TRACe<1...3>:Y[:SCALE]:RLEVEL:OFFSet <num_value>
GRID ABS/REL	DISPlay[:WINDow<1 2>]:TRACe<1...3>:Y[:SCALE]:MODE ABSolute RELative
EL ATTEN AUTO	INPut:EATT:AUTO ON (with option FSP-B25 only)
EL ATTEN MANUAL	INPut:EATT <num_value> (with option FSP-B25 only)
EL ATTEN OFF	INPut:EATT:STATE OFF (with option FSP-B25 only)
RF INPUT 50Ω 75Ω	INPut:IMPedance 50 75

MKR Key

MKR	
MARKER 1..4	<pre>CALCulate<1 2>:MARKer<1...4>[:STATE] ON OFF; CALCulate<1 2>:MARKer<1...4>:X <numeric value>; CALCulate<1 2>:MARKer<1...4>:Y? CALCulate<1 2>:DELTamarker1[:STATE] ON OFF; CALCulate<1 2>:DELTamarker<1...4>:X <numeric value>; CALCulate<1 2>:DELTamarker<1...4>:Y?</pre>
MARKER NORM DELTA	<pre>CALCulate<1 2>:DELTamarker<1...4>[:STATE] ON OFF;</pre>
SIGNAL COUNT	<pre>CALCulate<1 2>:MARKer<1...4>:COUNT ON OFF; CALCulate<1 2>:MARKer<1...4>:COUNT:FREQUENCY?</pre>
REFERENCE FIXED	
REF FXD FREQUENCY	<pre>CALCulate<1 2>:DELTamarker<1...4>:FUNCTION:FIXed[:STATE] ON OFF</pre>
REF POINT LEVEL	<pre>CALCulate<1 2>:DELTamarker<1..4>:FUNCTION:FIXed:RPoint:Y <num_value></pre>
REF POINT LVL OFFSET	<pre>CALCulate<1 2>:DELTamarker<1..4>:FUNCTION:FIXed:RPoint:Y: OFFSet <num_value></pre>
REF POINT FREQUENCY	<pre>CALCulate<1 2>:DELTamarker<1..4>:FUNCTION:FIXed:RPoint:X <num_value></pre>
oder:	
REF POINT TIME	<pre>CALCulate<1 2>:DELTamarker<1..4>:FUNCTION:FIXed:RPoint:X <num_value></pre>
PEAK SEARCH	<pre>CALCulate<1 2>:DELTamarker<1..4>:FUNCTION:FIXed:RPoint: MAX</pre>
MARKER ZOOM	<pre>CALCulate<1 2>:MARKer<1...4>:FUNCTION:ZOOM <num_value></pre>
ALL MARKER OFF	<pre>CALCulate<1 2>:MARKer<1...4>:AOFF CALCulate<1 2>:DELTamarker<1...4>:AOFF</pre>
MKR-> TRACE	<pre>CALCulate<1 2>:MARKer<1...4>:TRACe <num_value> CALCulate<1 2>:DELTamarker<1...4>:TRACe <num_value></pre>
CNT RESOL ...	<pre>CALCulate<1 2>:MARKer<1...4>:COUNT:RESolution <numeric value></pre>

MKR-> Key

MKR->	
SELECT MARKER	no corresponding IEC/IEEE-bus command
PEAK	CALCulate<1 2>:MARKer<1...4>:MAXimum[:PEAK] CALCulate<1 2>:DELTamarker<1...4>:MAXimum[:PEAK]
CENTER = MKR FREQ	CALCulate<1 2>:MARKer<1...4>:FUNction:CENTer
REF LEVEL = MKR LVL	CALCulate<1 2>:MARKer<1...4>:FUNction:REFerence
NEXT PEAK	CALCulate<1 2>:MARKer<1...4>:MAXimum:NEXT CALCulate<1 2>:DELTamarker<1...4>:MAXimum:NEXT
NEXT MODE	
ABSOLUTE PEAK / MIN	CALCulate<1 2>:MARKer<1...4>:MAXimum:NEXT CALCulate<1 2>:DELTamarker<1...4>:MAXimum:NEXT CALCulate<1 2>:MARKer<1...4>:MINimum:NEXT CALCulate<1 2>:DELTamarker<1...4>:MINimum:NEXT
SEARCH NEXT LEFT	CALCulate<1 2>:MARKer<1...4>:MAXimum:LEFT CALCulate<1 2>:DELTamarker<1...4>:MAXimum:LEFT CALCulate<1 2>:MARKer<1...4>:MINimum:LEFT CALCulate<1 2>:DELTamarker<1...4>:MINimum:LEFT
SEARCH NEXT RIGHT	CALCulate<1 2>:MARKer<1...4>:MAXimum:RIGHT CALCulate<1 2>:DELTamarker<1...4>:MAXimum:RIGHT CALCulate<1 2>:MARKer<1...4>:MINimum:RIGHT CALCulate<1 2>:DELTamarker<1...4>:MINimum:RIGHT
SEARCH LIMITS	
LEFT LIMIT	CALCulate<1 2>:MARKer<1...4>:X:SLIMits[:STATE] ON OFF CALCulate<1 2>:MARKer<1...4>:X:SLIMits:LEFT <num_value>
RIGHT LIMIT	CALCulate<1 2>:MARKer<1...4>:X:SLIMits[:STATE] ON OFF CALCulate<1 2>:MARKer<1...4>:X:SLIMits:RIGHT <num_value>
THRESHOLD	CALCulate<1 2>:THReshold[:STATE] ON OFF CALCulate<1 2>:THReshold <num_value>
SEARCH LIM OFF	CALCulate<1 2>:MARKer<1...4>:X:SLIMits[:STATE] OFF CALCulate<1 2>:THReshold[:STATE] ON OFF
PEAK EXCURSION	CALCulate<1 2>:MARKer<1...4>:PEXCursion <num_value>
MKR-> TRACE	CALCulate<1 2>:MARKer<1...4>:TRACe <numeric value> CALCulate<1 2>:DELTamarker<1...4>:TRACe <numeric value>
MKR-> CF STEPSIZE	CALCulate<1 2>:MARKer<1...4>:FUNction:CSTep
MIN	CALCulate<1 2>:MARKer<1...4>:MINimum[:PEAK] CALCulate<1 2>:DELTamarker<1...4>:MINimum[:PEAK]
MIN NEXT	CALCulate<1 2>:MARKer<1...4>:MINimum:NEXT CALCulate<1 2>:DELTamarker<1...4>:MINimum:NEXT

NEXT MODE	see above
EXCLUDE LO	CALCulate<1 2>:MARKer<1...4>:LOEXclude ON OFF
Taste MKR FCTN	
MKR FUNC	
SELECT MARKER	no corresponding IEC/IEEE-bus command
PEAK	CALCulate<1 2>:MARKer<1...4>:MAXimum[:PEAK] CALCulate<1 2>:DELTamarker<1...4>:MAXimum[:PEAK]
NOISE MEAS	CALCulate<1 2>:MARKer<1...4>:FUNction:NOISE[:STATe] ON OFF; CALCulate<1 2>:MARKer<1...4>:FUNction:NOISE:RESult?
PHASE NOISE	
PH NOISE ON OFF	CALCulate<1 2>:DELTamarker<1...4>:FUNction:PNOise[:STATe] ON OFF CALCulate<1 2>:DELTamarker<1...4>:FUNction:PNOise:RESult?
REF POINT LEVEL	CALCulate<1 2>:DELTamarker<1..4>:FUNction:FIXed:RPoint:Y <num_value>
REF POINT LVL OFFSET	CALCulate<1 2>:DELTamarker<1..4>:FUNction:FIXed:RPoint:Y: OFFSet <num_value>
REF POINT FREQUENCY	CALCulate<1 2>:DELTamarker<1..4>:FUNction:FIXed:RPoint:X <num_value>
PEAK SEARCH	CALCulate<1 2>:DELTamarker<1..4>:FUNction:FIXed:RPoint: MAX
N dB DOWN	CALCulate<1 2>:MARKer<1...4>:FUNction:NDBDown[:STATe] ON OFF CALCulate<1 2>:MARKer<1...4>:FUNction:NDBDown <num_value> CALCulate<1 2>:MARKer<1...4>:FUNction:NDBDown:RESult? CALCulate<1 2>:MARKer<1...4>:FUNction:NDBDown:FREQuency
PEAK LIST	
NEW SEARCH	INIT;*WAI; CALCulate<1 2>:MARKer<1...4>:FUNction:FPEaks 10; CALCulate<1 2>:MARKer<1...4>:FUNction:FPEaks:COUNT?; CALCulate<1 2>:MARKer<1...4>:FUNction:FPEaks:Y?; CALCulate<1 2>:MARKer<1...4>:FUNction:FPEaks:X?;
SORT MODE FREQ LEVEL	CALCulate<1 2>:MARKer<1...4>:FUNction:FPEaks:SORT X Y
PEAK EXCURSION	CALCulate<1 2>:MARKer<1...4>:PEXCursion <num_value>
LEFT LIMIT	CALCulate<1 2>:MARKer<1...4>:X:SLIMits[:STATe] ON OFF CALCulate<1 2>:MARKer<1...4>:X:SLIMits:LEFT <num_value>

RIGHT LIMIT	CALCulate<1 2>:MARKer<1...4>:X:SLIMits[:STATE] ON OFF CALCulate<1 2>:MARKer<1...4>:X:SLIMits:RIGHT <num_value>
THRESHOLD	CALCulate<1 2>:THReshold[:STATE] ON OFF CALCulate<1 2>:THReshold <num_value>
PEAK LIST OFF	
MARKER DEMODO	with option audio demodulator FSP-B3 only
MKR DEMOD ON/OFF	CALCulate<1 2>:MARKer<1...4>:FUNction:DEModulation[:STATE] ON OFF
AM	CALCulate<1 2>:MARKer<1...4>:FUNction:DEModulation:SElect AM
FM	CALCulate<1 2>:MARKer<1...4>:FUNction:DEModulation:SElect FM
MKR STOP TIME	CALCulate<1 2>:MARKer<1..4>:FUNction:DEModulation:HOLDOff <num_value>
MKR-> TRACE	CALCulate<1 2>:MARKer<1...4>:TRACe <numeric value> CALCulate<1 2>:DELTAmarker<1...4>:TRACe <numeric value>

BW Key

BW	
RES BW MANUAL	[SENSe:]BANDwidth BWIDth:AUTO OFF [SENSe:]BANDwidth BWIDth[:RESolution] <num_value>
VIDEO BW MANUAL	[SENSe:]BANDwidth BWIDth:VIDeo:AUTO OFF [SENSe:]BANDwidth BWIDth:VIDeo <num_value>
SWEEP TIME MANUAL	[SENSe:]SWEep:TIME:AUTO OFF [SENSe:]SWEep:TIME <num_value>
RES BW AUTO	[SENSe:]BANDwidth BWIDth[:RESolution]:AUTO ON
VIDEO BW AUTO	[SENSe:]BANDwidth BWIDth:VIDeo:AUTO ON
SWEEP TIME AUTO	[SENSe:]SWEep:TIME:AUTO ON
COUPLING RATIO	--
RBW / VBW SINE [1/3]	[SENSe:]BANDwidth BWIDth:VIDeo:RATio 3
RBW / VBW PULSE [.1]	[SENSe:]BANDwidth BWIDth:VIDeo:RATio 10
RBW / VBW NOISE [10]	[SENSe:]BANDwidth BWIDth:VIDeo:RATio 0.1
RBW / VBW MANUAL	[SENSe:]BANDwidth BWIDth:VIDeo:RATio <num_value>
SPAN / RBW AUTO [50]	[SENSe:]BANDwidth BWIDth[:RESolution]:RATio 0.02
SPAN / RBW MANUAL	[SENSe:]BANDwidth BWIDth[:RESolution]:RATio <num_value>
COUPLING DEFAULT	[SENSe:]BANDwidth BWIDth[:RESolution]:AUTO ON; [SENSe:]BANDwidth BWIDth:VIDeo:AUTO ON; [SENSe:]SWEep:TIME:AUTO ON
FILTER TYPE	[SENSe:]BANDwidth BWIDth[:RESolution]:TYPE NORMAl FFT CFILter RRC
MAIN PLL BANDWIDTH	[SENSe:]BANDwidth BWIDth:PLL AUTO HIGH MEDIUM LOW
VBW MODE LIN LOG	[SENSe:]BANDwidth BWIDth:VIDeo:TYPE LINear LOGarithmic

SWEEP Key

SWEEP	
CONTINUOUS SWEEP	INITiate:CONTInuous ON
SINGLE SWEEP	INITiate:CONTInuous OFF; INITiate:IMMediate
CONTINUE SGL SWEEP	INITiate:CONMeasure
SWEEP TIME MANUAL	[SENSe:]SWEep:TIME <num_value>
SWEEP TIME AUTO	[SENSe:]SWEep:TIME:AUTO ON OFF
SWEEP COUNT	[SENSe:]SWEep:COUNT <num_value>
SWEEP POINTS	[SENSe:]SWEep:POINTs <num_value>
SGL SWEEP DISP OFF	INITiate:DISPlay OFF INITiate:IMMediate

MEAS Key

MEAS

TIME DOM
POWER

CALCulate<1 | 2>:MARKer<1...4>:FUNction:SUMMary:RMS[:STATe] ON
 CALCulate<1 | 2>:MARKer<1...4>:FUNction:SUMMary:PPEak[:STATe] ON
 CALCulate<1 | 2>:MARKer<1...4>:FUNction:SUMMary:MEAN[:STATe] ON
 CALCulate<1 | 2>:MARKer<1...4>:FUNction:SUMMary:SDEVIation[:STATe] ON

POWER
ON OFF

CALCulate<1 | 2>:MARKer<1...4>:FUNction:SUMMary:RMS[:STATe] ON|OFF
 CALCulate<1 | 2>:MARKer<1...4>:FUNction:SUMMary:PPEak[:STATe] ON|OFF
 CALCulate<1 | 2>:MARKer<1...4>:FUNction:SUMMary:MEAN[:STATe] ON|OFF
 CALCulate<1 | 2>:MARKer<1...4>:FUNction:SUMMary:SDEVIation[:STATe] ON|OFF

RMS

CALCulate<1 | 2>:MARKer<1...4>:FUNction:SUMMary:RMS[:STATe] ON | OFF
 CALCulate<1 | 2>:MARKer<1...4>:FUNction:SUMMary:RMS:RESult?

PEAK

CALCulate<1 | 2>:MARKer<1...4>:FUNction:SUMMary:PPEak[:STATe] ON | OFF

MEAN

CALCulate<1 | 2>:MARKer<1...4>:FUNction:SUMMary:PPEak:RESult?
 CALCulate<1 | 2>:MARKer<1...4>:FUNction:SUMMary:MEAN[:STATe] ON | OFF

STANDARD
DEVIATION

CALCulate<1 | 2>:MARKer<1...4>:FUNction:SUMMary:MEAN:RESult?
 CALCulate<1 | 2>:MARKer<1...4>:FUNction:SUMMary:SDEVIation[:STATe] ON|OFF
 CALCulate<1 | 2>:MARKer<1...4>:FUNction:SUMMary:SDEVIation:RESult?

LIMITS
ON OFF

CALCulate<1 | 2>:MARKer<1...4>:SLIMits ON | OFF

START
LIMIT

CALCulate<1 | 2>:MARKer<1...4>:SLIMits:LEFT <num_value>

STOP
LIMIT

CALCulate<1 | 2>:MARKer<1...4>:SLIMits:RIGHT <num_value>

SET
REFERENCE

CALCulate<1 | 2>:MARKer<1...4>:FUNction:SUMMary:REFerence:AUTO ONCE

POWER
ABS REL

CALCulate<1 | 2>:MARKer<1...4>:FUNction:SUMMary:MODE ABS | REL

MAX HOLD
ON OFF

CALCulate<1 | 2>:MARKer<1...4>:FUNction:SUMMary:PHOLD ON | OFF
 CALCulate<1 | 2>:MARKer<1...4>:FUNction:SUMMary:PPEak:PHOLD:RESult?
 CALCulate<1 | 2>:MARKer<1...4>:FUNction:SUMMary:RMS:PHOLD:RESult?
 CALCulate<1 | 2>:MARKer<1...4>:FUNction:SUMMar:MEAN:PHOLD:RESult?
 CALCulate<1 | 2>:MARKer<1...4>:FUNction:SUMMary:SDEVIation:PHOLD:RESult?

AVERAGE ON OFF	CALCulate<1 2>:MARKer<1...4>:FUNction:SUMMArY:AVERAge ON OFF CALCulate<1 2>:MARKer<1...4>:FUNction:SUMMArY:PPEAk:AVERAge:RESult? CALCulate<1 2>:MARKer<1...4>:FUNction:SUMMArY:RMS:AVERAge:RESult? CALCulate<1 2>:MARKer<1...4>:FUNction:SUMMAr:MEAN:AVERAge:RESult? CALCulate<1 2>:MARKer<1...4>:FUNction:SUMMArY:SDEVIation:AVERAge:RES?
NUMBER OF SWEEPS	[SENSe:]SWEep:COUNT <num_value>
CHAN PWR ACP	--
CP / ACP ON OFF	CALCulate<1 2>:MARKer<1...4>:FUNction:POWEr:SElect CPOWEr ACPower; CALCulate<1 2>:MARKer<1...4>:FUNction:POWEr:RESult? CPOWEr ACPower; CALCulate<1 2>:MARKer<1...4>:FUNction:POWEr[:STATe] OFF
CP / ACP STANDARD	CALCulate<1 2>:MARKer<1...4>:FUNction:POWEr:PRESet <standard>
CP / ACP CONFIG	--
NO. OF ADJ CHAN	[SENSe:]POWEr:ACHannel:ACPairs <num_value>
CHANNEL BANDWIDTH	[SENSe:]POWEr:ACHannel:BANDwidth BWIDth[:CHANnel] <num_value>
ADJ CHAN BANDWIDTH	[SENSe:]POWEr:ACHannel:BANDwidth BWIDth:ACHannel <num_value> [SENSe:]POWEr:ACHannel:BANDwidth BWIDth:ALternate <1 2> <num_value>
ADJ CHAN SPACING	[SENSe:]POWEr:ACHannel:SPACing:ACHannel <num_value> [SENSe:]POWEr:ACHannel:SPACing:ALternate<1 2> <num_value>
CP/ACP ABS/REL	[SENSe:]POWEr:ACHannel:MODE ABSolute RELative
CHAN PWR /HZ	CALCulate<1 2>:MARKer<1...4>:FUNction:POWEr:RESult:PHZ ON OFF
SELECT TRACE	[SENSe:]POWEr:TRACe 1 2 3
ADJUST SETTINGS	[SENSe:]POWEr:ACHannel:PRESet ACPower CPOWEr OBANDwidth OBWidth
ACP LIMIT CHECK	CALCulate<1 2>:LIMit<1...8>:ACPoweR[:STATe] ON OFF CALCulate<1 2>:LIMit<1...8>:ACPoweR:ACHannel:RESult? CALCulate<1 2>:LIMit<1...8>:ACPoweR:ALternate<1 2>:RESult?

EDIT ACP LIMITS	<pre> CALCulate<1 2>:LIMIT<1...8>:ACPower[:STATe] ON OFF CALCulate<1 2>:LIMIT<1...8>:ACPower:ACHannel[:RELative] :STATe ON OFF CALCulate<1 2>:LIMIT<1...8>:ACPower:ACHannel[:RELative] <num_val>, <num_val> CALCulate<1 2>:LIMIT<1...8>:ACPower:ACHannel:ABSolute:STATe ON OFF CALCulate<1 2>:LIMIT<1...8>:ACPower:ACHannel:ABSolute <num_value>, <num_value> CALCulate<1 2>:LIMIT<1...8>:ACPower:ALternate[:RELative]: STATe ON OFF CALCulate<1 2>:LIMIT<1...8>:ACPower:ALternate[:RELative] <num_value>, <num_value> CALCulate<1 2>:LIMIT<1...8>:ACPower:ALternate:ABSolute:STATe ON OFF CALCulate<1 2>:LIMIT<1...8>:ACPower:ALternate:ABSolute <num_value>, <num_value> </pre>
SET CP REFERENCE	[SENSe:]POWER:ACHannel:REference:AUTO ONCE
SWEEP TIME	[SENSe:]SWEep:TIME <num_value>
FAST ACP ON OFF	[SENSe:]POWER:HSPeEd ON OFF
NOISE CORR ON OFF	[SENSe:]POWER:NCORrection ON OFF
FULL SIZE DIAGRAM	
ADJUST REF LVL	[SENSe:]POWER:ACHannel:PRESet:RLEVel
OCCUPIED PWR BANDW	
OCCUP BW ON OFF	<pre> CALCulate<1 2>:MARKer<1...4>:FUNctioN:POWER:SElect OBANdwidth OBWidth CALCulate<1 2>:MARKer<1...4>:FUNctioN:POWER:RESult? OBANdwidth OBWidth CALCulate<1 2>:MARKer<1...4>:FUNctioN:POWER[:STATe] OFF </pre>
% POWER BANDWIDTH	[SENSe:]POWER:BANDwidth BWidth <num_value>
CHANNEL BANDWIDTH	[SENSe:]POWER:ACHannel:BANDwidth BWidth <num_value>
NOISE CORR ON OFF	[SENSe:]POWER:NCORrection ON OFF
ADJUST REF LVL	[SENSe:]POWER:ACHannel:PRESet:RLEVel
ADJUST SETTINGS	[SENSe:]POWER:PRESet ACPower CPOwer OBANdwidth OBWidth

SIGNAL STATISTIC	
APD ON OFF	CALCulate:STATistics:APD[:STATe] ON OFF CALCulate:STATistics:RESult<1...3>? MEAN PEAK CFACtor ALL
CCDF ON OFF	CALCulate:STATistics:CCDF[:STATe] ON OFF CALCulate:STATistics:RESult<1...3>? MEAN PEAK CFACtor ALL
PERCENT MARKER	CALC:MARK:Y:PERC 0...100%
RES BW	[SENSe:]BANDwidth[:RESolution]:AUTO OFF [SENSe:]BANDwidth[:RESolution] <num_value>
NO OF SAMPLES	CALCulate:STATistics:NSAMples <num_value>
SCALING	--
X-AXIS REF LEVEL	CALCulate:STATistics:X:RLEVel <num_value>
X-AXIS RANGE	CALCulate:STATistics:X:RANGE <num_value>
Y-AXIS MAX VALUE	CALCulate:STATistics:Y:UPPER <num_value>
Y-AXIS MIN VALUE	CALCulate:STATistics:Y:LOWer <num_value>
ADJUST SETTINGS	CALCulate:STATistics:SCALE:AUTO ONCE
DEFAULT SETTINGS	CALCulate:STATistics:PRESet
ADJUST SETTINGS	CALCulate:STATistics:SCALE:AUTO ONCE
SINGLE MEAS	INITiate:CONTinuous OFF; INITiate:IMMediate
COUNT MEAS	INITiate:CONTinuous ON; INITiate:IMMediate
MODULATION DEPTH	CALCulate<1 2>:MARKer<1...4>:FUNctioN:MDEPth[:STATe] ON OFF CALCulate<1 2>:MARKer<1...4>:FUNctioN:MDEPth:RESult?
TOI	CALCulate<1 2>:MARKer<1...4>:FUNctioN:TOI[:STATe] ON OFF CALCulate<1 2>:MARKer<1...4>:FUNctioN:TOI:RESult?
SELECT MARKER	no corresponding IEC/IEEE-bus command

TRIG Key

TRIG	
FREE RUN	TRIGger[:SEquence]:SOURce IMMEDIATE
VIDEO	TRIGger[:SEquence]:SOURce VIDEO TRIGger[:SEquence]:LEVel:VIDEO <numeric value>
EXTERN	TRIGger[:SEquence]:SOURce EXTERNAL [SENSe:]SWEep:EGATE:SOURce EXTERNAL
IF POWER	TRIGger[:SEquence]:SOURce IFPower TRIGger[:SEquence]:LEVel:IFPower <numeric value> [SENSe:]SWEep:EGATE:SOURce IFPower
TRIGGER OFFSET	TRIGger[:SEquence]:HOLDoff <num_value>
POLARITY POS/NEG	TRIGger[:SEquence]:SLOPe POSitive NEGative oder [SENSe:]SWEep:EGATE:POLarity POSitive NEGative
GATED TRIGGER	[SENSe:]SWEep:EGATE ON OFF [SENSe:]SWEep:EGATE:SOURce IFPower EXTERNAL
GATE SETTINGS	--
GATE MODE LEVEL/EDGE	[SENSe:]SWEep:EGATE:TYPE LEVel EDGE
POLARITY POS/NEG	[SENSe:]SWEep:EGATE:POLarity POSitive NEGative
GATE DELAY	[SENSe:]SWEep:EGATE:HOLDoff <num_value>
GATE LENGTH	[SENSe:]SWEep:EGATE:LENGth <num_value>
SWEEP TIME	--

TRACE Key

TRACE	
SELECT TRACE	--
CLEAR/ WRITE	DISPlay[:WINDow<1 2>]:TRACe<1...3>:MODE WRITe
MAX HOLD	DISPlay[:WINDow<1 2>]:TRACe<1...3>:MODE MAXHold
AVERAGE	DISPlay[:WINDow<1 2>]:TRACe<1...3>:MODE AVERAge oder: [SENSe:]AVERAge[:STATe<1...3>] ON
VIEW	DISPlay[:WINDow<1 2>]:TRACe<1...3>:MODE VIEW
BLANK	DISPlay[:WINDow<1 2>]:TRACe<1...3>[:STATe] OFF
SWEEP COUNT	[SENSe:]SWEep:COUNT <num_value> oder: [SENSe:]AVERAge:COUNT <num_value>
DETECTOR	--
AUTO SELECT	[SENSe:]DETEctor[:FUNCTION]:AUTO ON OFF
DETECTOR AUTOPEAK	[SENSe:]DETEctor[:FUNCTION] APEak
DETECTOR MAX PEAK	[SENSe:]DETEctor[:FUNCTION] POSitive
DETECTOR MIN PEAK	[SENSe:]DETEctor[:FUNCTION] NEGative
DETECTOR SAMPLE	[SENSe:]DETEctor[:FUNCTION] SAMPlE
DETECTOR RMS	[SENSe:]DETEctor[:FUNCTION] RMS
DETECTOR AVERAGE	[SENSe:]DETEctor[:FUNCTION] AVERAge
DETECTOR QPK	[SENSe:]DETEctor[:FUNCTION] QPEak
TRACE MATH	--
T1-T2->T1	CALCulate<1 2>:MATH:STATe ON CALCulate<1 2>:MATH[:EXPRession][:DEFine] (TRACE1 - TRACE2)
T1-T3->T1	CALCulate<1 2>:MATH:STATe ON CALCulate<1 2>:MATH[:EXPRession][:DEFine] (TRACE1 - TRACE3)
TRACE POSITION	CALCulate<1 2>:MATH:POSition <num_value>

TRACE MATH OFF	CALCulate<1 2>:MATH:STATE OFF
MIN HOLD	DISPlay[:WINDow<1 2>]:TRACe<1...3>:MODE MINHold
AVG MODE LOG LIN	CALCulate<1 2>:MATH:MODE LINear LOGarithmic oder: [SENSe:]AVERAge:TYPE VIDEo LINear
ASCII FILE EXPORT	FORMat[:DATA] ASCii MMEMory:STORE<1 2>:TRACe 1, 'TRACE.DAT'
DECIM SEP . ,	FORMat:DEXPort:DSEPARATOR POINT COMMa
COPY TRACE	TRACe: COPY TRACE1 TRACE2 TRACE3 , TRACE1 TRACE2 TRACE3

LINES Key

LINES

SELECT
LIMIT LINE

selection:
 CALCulate<1|2>:LIMit<1...8>:NAME <string>;
 CALCulate<1|2>:LIMit<1...8>:UPPer:STATE ON | OFF
 CALCulate<1|2>:LIMit<1...8>:LOWer:STATE ON | OFF
 limit check:
 CALCulate<1|2>:LIMit<1...8>:STATE ON | OFF
 INITiate[:IMMediate]; WAI*
 CALCulate<1|2>:LIMit<1...8>:FAIL?
 trace assignment:
 CALCulate<1|2>:LIMit<1...8>:TRACe 1|2|3

NEW
LIMIT LINE

NAME

name: CALCulate<1|2>:LIMit<1...8>:NAME <string>;
 domain: CALCulate<1|2>:LIMit<1...8>:CONTrol:DOMain FREQuency|TIME
 scaling:
 CALCulate<1|2>:LIMit<1...8>:CONTrol:MODE Relative | ABSolute
 CALCulate<1|2>:LIMit<1...8>:UPPer:MODE Relative | ABSolute
 CALCulate<1|2>:LIMit<1...8>:LOWer:MODE Relative | ABSolute
 unit:
 CALCulate<1|2>:LIMit<1...8>:UNIT DBM|DBPW|WATT|DBUV|
 VOLT|DBUA|AMPere|DB|DBUV_MHZ|DBUA_MHZ|DEG|RAD|S|HZ|PCT
 margin:
 CALCulate<1|2>:LIMit<1...8>:UPPer:MARGin <num_value>
 CALCulate<1|2>:LIMit<1...8>:LOWer:MARGin <num_value>
 threshold for relative y-scaling:
 CALCulate<1|2>:LIMit<1...8>:UPPer:THReshold <num_value>
 CALCulate<1|2>:LIMit<1...8>:LOWer:THReshold <num_value>
 comment:
 CALCulate<1|2>:LIMit<1...8>:COMment <string>

VALUES

CALCulate<1|2>:LIMit<1...8>:CONTrol[:DATA]
 <num_value>, <num_value>..
 CALCulate<1|2>:LIMit<1...8>:UPPer[:DATA]
 <num_value>, <num_value>..
 CALCulate<1|2>:LIMit<1...8>:LOWer[:DATA]
 <num_value>, <num_value>..

INSERT
VALUE

no corresponding IEC/IEEE-bus command

DELETE
VALUE

no corresponding IEC/IEEE-bus command

SHIFT X
LIMIT LINE

CALCulate<1|2>:LIMit<1...8>:CONTrol:SHIFt <num_value>

SHIFT Y
LIMIT LINE

CALCulate<1|2>:LIMit<1...8>:UPPer:SHIFt <num_value>
 CALCulate<1|2>:LIMit<1...8>:LOWer:SHIFt <num_value>

SAVE
LIMIT LINE

automatically executed during IEC/IEEE-bus operation

EDIT LIMIT
LINE

s. EDIT LIMIT LINE

COPY
LIMIT LINE

CALCulate<1|2>:LIMit<1...8>:COPY 1...8 | <name>

DELETE LIMIT LINE	CALCulate<1 2>:LIMit<1...8>:DELeTe
X OFFSET	CALCulate<1 2>:LIMit<1...8>:CONTRol:OFFset <num_value>
Y OFFSET	CALCulate<1 2>:LIMit<1...8>:UPPer:OFFset <num_value> CALCulate<1 2>:LIMit<1...8>:LOWer:OFFset <num_value>
DISPLAY LINES	
DISPLAY LINE 1	CALCulate<1 2>:DLINe1:STATe ON OFF CALCulate<1 2>:DLINe1 -30 dBm
DISPLAY LINE 2	CALCulate<1 2>:DLINe2:STATe ON OFF CALCulate<1 2>:DLINe2 -30 dBm
FREQUENCY LINE 1	CALCulate<1 2>:FLINe1:STATe ON OFF CALCulate<1 2>:FLINe1 0 HZ
FREQUENCY LINE 2	CALCulate<1 2>:FLINe2:STATe ON OFF CALCulate<1 2>:FLINe2 3 GHZ
TIME LINE 1	CALCulate<1 2>:TLINe1:STATe ON OFF CALCulate<1 2>:TLINe1 0 S
TIME LINE 2	CALCulate<1 2>:TLINe2:STATe ON OFF CALCulate<1 2>:TLINe2 2.5 MS

DISP Key

DISP	
FULL SCREEN	DISPlay:FORmat SINGLE DISPlay[:WINDow<1 2>]:SElect
SPLIT SCREEN	DISPlay:FORmat SPLit
REF LEVEL COUPLED	INSTRument:COUple RLEVel NONE
CENTER B = MARKER A	INSTRument:COUple CF_B NONE
CENTER A = MARKER B	INSTRument:COUple CF_A NONE
CONFIG DISPLAY	--
SCREEN TITLE	DISPlay[:WINDow<1 2>]:TEXT[:DATA] <string> DISPlay[:WINDow<1 2>]:TEXT:STATE ON OFF
TIME/DATE ON OFF	DISPlay[:WINDow<1 2>]:TIME ON OFF
LOGO ON/OFF	DISPlay:LOGO ON OFF
ANNOTATION ON/OFF	DISPlay:ANNotation:FREQuency ON OFF
DATAENTRY OPAQUE	no corresponding IEC/IEEE-bus command
DEFAULT COLORS 1	DISPlay:CMAP<1...13>:DEFault1
DEFAULT COLORS 2	DISPlay:CMAP<1...13>:DEFault2
DISPLAY PWR SAVE	DISPlay:PSAVe[:STATE] ON OFF DISPlay:PSAVe:HOLDoff <num_value>
SELECT OBJECT	--
BRIGHTNESS	DISPlay:CMAP:HSL <hue>,<sat>,<lum>
TINT	DISPlay:CMAP<1...13>:HSL <hue>,<sat>,<lum>
SATURATION	DISPlay:CMAP<1...13>:HSL <hue>,<sat>,<lum>
PREDEFINED COLORS	DISPlay:CMAP<1...13>:PDEFined BLACK BLUE BROWN GREEN MAGenta YELLOW WHITE DGRAY LGRAY LBLUe LGREEN LCYan LRED MAGenta

FILE Key

FILE	
SAVE	MMEemory:STORe:STATe 1,<file_name>
RECALL	MMEemory:LOAD:STATe 1,<file_name>
EDIT COMMENT	MMEemory:COMMeNt <string>
ITEMS TO SAVE/RCL	
SELECT ITEMS	MMEemory:SElect[:ITEM]:HWSettings ON OFF MMEemory:SElect[:ITEM]:TRACe[:ACTive] ON OFF MMEemory:SElect[:ITEM]:LINES:ALL ON OFF MMEemory:SElect[:ITEM]:NONE
DEFAULT CONFIG	MMEemory:SElect[:ITEM]:DEFault
DISABLE ALL ITEMS	MMEemory:SElect[:ITEM]:NONE
ENABLE ALL ITEMS	MMEemory:SElect[:ITEM]:ALL
DATA SET LIST	--
DATA SET CLEAR	MMEemory:CLEAr:STATe 1,<file_name>
DATA SET CLEAR ALL	MMEemory:CLEAr:ALL
STARTUP RECALL	MMEemory:LOAD:AUTO 1,<file_name>
FILE MANAGER	
EDIT PATH	MMEemory:MSIS <device> MMEemory:CDIRectory <directory_name>
MAKE DIRECTORY	MMEemory:MDIRectory <directory_name>
FORMAT DISK	MMEemory:INITialize <msus>
RENAME	MMEemory:MOVE <file_source>,<file_destination>
SORT MODE	no corresponding IEC/IEEE-bus command
COPY	MMEemory:COpy <file_source>,<file_destination>
DELETE	MMEemory:DELeTe <file_name> MMEemory:RDIRectory <directory_name>

CAL Key

CAL	
CAL TOTAL	CALibration[:ALL]?
CAL ABORT	CALibration:ABORT
CAL CORR ON OFF	CALibration:STATE ON OFF
CAL RESULTS	CALibration:RESults?

SETUP Key

REFERENCE INT/EXT	[SENSe:]ROSCillator:SOURce INTernal EXTernal
NOISE SCR ON OFF	DIAGnostic:SERvice:NSource ON OFF <num_value>
PREAMP	INPut:GAIN <num_value> (with option Electronic Attenuator - FSP-B25 only)
GENERAL SETUP	--
GPIB ADDRESS	SYSTem:COMMunicate:GPIB[:SELF]:ADDRESS 0...30
COM INTERFACE	SYSTem:COMMunicate:SERial[:RECeive:]BAUD <num_value> SYSTem:COMMunicate:SERial[:RECeive:]BITS 7 8 SYSTem:COMMunicate:SERial:RECeive:PARity[:TYPE] EVEN ODD NONE SYSTem:COMMunicate:SERial[:RECeive:]SBITS 1 2 SYSTem:COMMunicate:SERial:CONTrol:DTR IBFull OFF SYSTem:COMMunicate:SERial:CONTrol:RTS IBFull OFF SYSTem:COMMunicate:SERial[:RECeive]:PACE XON NONE
TIME+DATE	SYSTem:TIME 0...23, 0...59, 0...59 SYSTem:DATE <num>, <num>, <num>
CONFIGURE NETWORK	with option LAN-Interface FSP-B16 only --
NETWORK LOGIN	with option LAN-Interface FSP-B16 only --
OPTIONS	--
SOFT FRONT PANEL	--
SYSTEM INFO	--
HARDWARE INFO	DIAGnostic:SERvice:HWInfo?
STATISTICS	--

SYSTEM MESSAGES	SYSTem:ERRor? SYSTem:ERRor:LIST?
CLEAR ALL MESSAGES	SYSTem:ERRor?
SAVE CHANGES	--
SERVICE	--
INPUT RF	DIAGnostic:SERvice:INPut[:SElect] RF
INPUT CAL	DIAGnostic:SERvice:INPut[:SElect] CALibration DIAGnostic:SERvice:CSource[:POWER] <num_value> *TST?
SELFTTEST	
SELFTTEST RESULTS	DIAGnostic:SERvice:STEST:RESult?
REFERENCE FREQUENCY	[SENSE<1 2>:]ROSCillator[:INTernal]:TUNE 0...4095
CAL SIGNAL POWER	--
SAVE CHANGES	[SENSE<1 2>:]ROSCillator[:INTernal]:TUNE:SAVE
ENTER PASSWORD	SYSTem:PASSword[:CENable] <string>
CAL GEN 128 MHz	DIAGnostic:SERvice:INPut:PULSed OFF
CAL GEN COMB	DIAGnostic:SERvice:INPut:PULSed ON DIAGnostic:SERvice:INPut:PULSed:PRATe 128 MHz
SERVICE FUNCTION	DIAGnostic:SERvice:SFUNction <string>
FIRMWARE UPDATE	--
RESTORE FIRMWARE	--

HCOPY Key

HCOPY	
PRINT SCREEN	HCOPY:ITEM:ALL HCOPY:IMMEDIATE for printout into file add MMEMORY:NAME <file_name>
PRINT TRACE	HCOPY:ITEM:WINDOW<1 2>:TRACE:STATE ON OFF HCOPY:IMMEDIATE for printout into file add MMEMORY:NAME <file_name>
PRINT TABLE	HCOPY:ITEM:WINDOW<1 2>:TABLE:STATE ON OFF HCOPY:IMMEDIATE for printout into file add MMEMORY:NAME <file_name>
HARDCOPY ABORT	HCOPY:ABORT
DEVICE1	SYSTEM:COMMUNICATE:PRINTER:ENUMERATE:FIRST? SYSTEM:COMMUNICATE:PRINTER:ENUMERATE:NEXT? SYSTEM:COMMUNICATE:PRINTER:SELECT <string> HCOPY:DESTINATION <string> HCOPY:DEVICE:LANGUAGE GDI WMF EWMF BMP HCOPY:PAGE:ORIENTATION<1 2> LANDSCAPE PORTRAIT
DEVICE2	SYSTEM:COMMUNICATE:PRINTER:ENUMERATE:FIRST? SYSTEM:COMMUNICATE:PRINTER:ENUMERATE:NEXT? SYSTEM:COMMUNICATE:PRINTER:SELECT "string" HCOPY:DESTINATION2 <string> HCOPY:DEVICE:LANGUAGE GDI WMF EWMF BMP HCOPY:PAGE:ORIENTATION<1 2> LANDSCAPE PORTRAIT
COLOR	HCOPY:DEVICE:COLOR ON OFF HCOPY:CMAP:DEFAULT1
COMMENT SCREEN A/B	HCOPY:ITEM:WINDOW<1 2>:TEXT <string>
INSTALL PRINTER	

Hotkeys

SPECTRUM	INSTRument[:SElect] SANalyzer INSTRument:NSElect 1
NETWORK	with option tracking generator FSP-B9 or option external generator control FSP-B10 only --
SCREEN A/B	FULL SCREEN: Selection of the active window: DISPLAY[:WINDow<1 2> The window valid for the setting is selected by the numeric suffix in the command, eg SENSE<1 2> SPLIT SCREEN: The two measurement windows are active. The window valid for the setting is selected by the numeric suffix in the command, eg SENSE<1 2>

Hotkey NETWORK

NETWORK	with option tracking generator FSP-B9 or option external generator control FSP-B10 only --
SOURCE ON / OFF	with option tracking generator FSP-B9 only OUTPut:STATe ON OFF
SOURCE POWER	SOURce:POWer <num_value>
POWER OFFSET	SOURce:POWer:OFFSet <num_value>
SOURCE CAL	with option tracking generator FSP-B9 or option external generator control FSP-B10 only
CAL TRANS	[SENSe:]CORREction:METhod TRANsmission [SENSe:]CORREction:COLLect[:ACQuire] THRUgh
CAL REFL SHORT	[SENSe:]CORREction:METhod REFLExion [SENSe:]CORREction:COLLect[:ACQuire] THRUgh
CAL REFL OPEN	[SENSe:]CORREction:METhod REFLExion [SENSe:]CORREction:COLLect[:ACQuire] OPEN
NORMALIZE	[SENSe:]CORREction[:STATe] ON OFF
REF VALUE POSITION	DISP:WIND:TRAC:Y:RPOS <num_value>
REF VALUE	DISP:WIND:TRAC:Y:RVAL <num_value>
RECALL	[SENSe:]CORREction:RECall
FREQUENCY OFFSET	with option tracking generator FSP-B9 only SOURce:FREQuency:OFFSet <num_value>
MODULATION	with option tracking generator FSP-B9 only:
EXT AM	SOURce:AM:STATe ON OFF
EXT FM	SOURce:FM:STATe ON OFF SOURce:FM:DEVIation <num_value>
EXT I/Q	SOURce:DM:STATe ON OFF
MODULATION OFF	--
EXT SOURCE	with option external generator control FSP-B10 only
EXT SRC ON / OFF	SOURce:EXTernal[:STATe] ON OFF
SELECT GENERATOR	SYSTem:COMMunicate:RDEvice:GENERator:TYPE 'SME02' SYSTem:COMMunicate:RDEvice:GENERator:LINK TTL SYSTem:COMMunicate:GPIB:RDEvice:GENERator:ADDRESS 28
FREQUENCY SWEEP	SOURce:EXTernal:POWer -30dBm SOURce:EXTernal:FREQuency:NUMerator 4 SOURce:EXTernal:FREQuency:DENominator 3 SOURce:EXTernal:FREQuency:OFFSet 100MHZ

Contents - Chapter 7 "Remote Control - Programming Examples"

7 Remote Control - Programming Examples	7.1
Basic Steps of IEC/IEEE-Bus Programming.....	7.1
Including IEC-Bus Library for VisualBasic	7.1
Initialization and Default Status	7.2
Creating Global Variables.....	7.2
Initiate Controller	7.2
Initiate Instrument.....	7.3
Switching the Display On/Off.....	7.3
Configuring Power Save Function (Display Permanently Switched Off)	7.4
Transmission of Simple Instrument Setting Commands	7.4
Return to Manual Control.....	7.4
Reading Out Instrument Settings	7.5
Positioning Markers and Displaying Values.....	7.5
Command Synchronization.....	7.6
Service Request	7.7
Initiate Service Request.....	7.7
Waiting for the Arrival of a Service Request	7.7
Waiting Without Blocking the Keyboard and Mouse	7.8
Service Request Routine.....	7.9
Reading Out the Output Buffer.....	7.10
Reading Out Error Messages.....	7.10
Evaluation of SCPI Status Registers	7.10
Evaluation of Event Status Register	7.11
More Complex Programming Examples.....	7.12
Default Setting of the FSP	7.12
Setting the IEC/IEEE Bus Status Register	7.12
Default Setting for Measurements.....	7.13
Using Marker and Delta Marker.....	7.14
Marker Search Functions, Limitation of Search Range.....	7.14
Measuring Spurious Emissions	7.16
Frequency Counting	7.17
Operation with Fixed Reference Point (Reference Fixed).....	7.18
Phase and Phase Noise Measurement.....	7.19
Shape Factor Measurement (using n dB down).....	7.20
Measuring the Third Order Intercept Point.....	7.21
Measuring the AM Modulation Depth	7.22
Limit Lines and Limit Test.....	7.23
Measuring the Channel and Adjacent Channel Power	7.25
Occupied Bandwidth Measurement.....	7.27
Time Domain Power Measurement.....	7.28
Fast Power Measurement on Power Ramps.....	7.29
Power Measurement with Multi-Summary Marker	7.29
Multi-Burst Power Measurement	7.31
Fast Level Measurement Using Frequency Lists	7.33
Level Correction of Transducers (Definition of Transducer Factors)	7.35
Reading Trace Data	7.36

Measuring the Magnitude and Phase of a Signal (I/Q Data Acquisition).....	7.38
Averaging I/Q Data	7.41
Storing and Loading Device Settings.....	7.42
Storing Instrument Settings	7.42
Loading Device Settings.....	7.43
Setting the Data Set for Startup Recall	7.43
Reading and Writing Files	7.44
Reading a File from the Instrument.....	7.44
Creating a File on the Instrument.....	7.45
Configuring and Starting a Printout.....	7.46

7 Remote Control - Programming Examples

The following programming examples have a hierarchical structure, i.e. subsequent examples are based on previous ones. It is thus possible to compile very easily an operational program from the modules of the given examples.

Basic Steps of IEC/IEEE-Bus Programming

The examples explain the programming of the instrument and can serve as a basis to solve more complex programming tasks.

VISUAL BASIC has been used as programming language. However, the programs can be translated into other languages.

Including IEC-Bus Library for VisualBasic

Programming hints:

- **Output of texts using the "Print" function**

The following programming examples are based on the assumption that all subroutines are part of a form (file extension: .FRM). In this case the syntax

```
Print "Text"
```

is allowed.

If however the subroutines are stored as a so-called module (file extension: .BAS), the print instruction should be preceded by the name of a form which has the required print method. If, for example, there is a form with the name "Main", the associated print instruction is as follows:

```
Main.Print "Text".
```

- **Access to functions of GPIB.DLL**

To create Visual Basic control applications, the file GPIB.BAS (as from VB 6.0 VBIB-32.BAS) is added to a project so that the functions of the RSIB.DLL can be called. In addition, the file NIGLOBAL.BAS is added to the project. This file contains constants and definitions for the processing of errors, timeout values, etc.

- **Declaration of DLL functions as procedures**

Since the functions all return an integer value, the functions in the file GPIB.BAS are all declared as follows:

```
Declare Function xxx Lib "gpib.dll" ( ... ) As Integer
```

The function value with the status variables `ibsta` should be allocated a variable when it is called up. Since this value is also returned via a reference parameter of the functions, the functions can be declared as procedures as follows:

```
Declare Sub xxx Lib "rsib.dll" ( ... )
```

- **Generating a response buffer**

Since the DLL returns zero-terminated strings in case of responses, a string of sufficient length should be generated prior to calling the functions `ibrd()` and `ilrd()`, since Visual Basic prefixes a length value to the strings which is not updated by the DLL.

The following two possibilities are available to generate a length value for a string:

```
- Dim Rd as String * 100
- Dim Rd as String
  Rd = Space$(100)
```

Initialization and Default Status

Variables used by all subroutines should be stored at the beginning of every program.

Then the IEC/IEEE bus as well as the settings of the instrument are brought into a defined default status at the beginning of every program. Subroutines "InitController" and "InitDevice" are used to this effect.

Creating Global Variables

Global variables are placed in so-called "modules" (file extension: .BAS) in Visual Basic. Therefore, at least one module (e.g. "GLOBALS.BAS) should be created which contains the variables used by all subroutines, such as the device addresses used by the IEC/IEEE-bus driver.

The file should contain the following instructions for the programming examples below:

```
Global analyzer As Integer
Global boardId As Integer
```

Initiate Controller

```
REM ----- Initiate controller -----
Public SUB InitController()

ieaddress% = 20                                'IEC/IEEE-bus address of the
                                              'instrument

CALL IBFIND("GPIB0", boardId%)                'Open port to the controller
CALL IBFIND("DEV1", analyzer%)                'Open port to the instrument
CALL IBPAD(analyzer%, ieaddress%)             'Inform controller on instrument
                                              'address

CALL IBTMO(analyzer%, 11)                     'Response time to 1 sec

END SUB
REM *****
```

Initiate Instrument

The IEC-bus status registers and instrument settings of the instrument are brought to the default status.

```

REM ----- Initiate instrument -----
Public SUB InitDevice()

CALL IBWRT(analyzer%, "*CLS")           'Reset status registers
CALL IBWRT(analyzer%, "*RST")           'Reset instrument
END SUB
REM*****

```

Switching the Display On/Off

In the default status, all remote control commands are executed with the display switched off to achieve maximum measurement speed. During the generation of remote control programs, however, the display is often needed to check the settings programmed as well as the test results.

The functions shown below are examples of how the display can be switched on or off by remote control::

```

REM ----- Switch display on -----
Public SUB DisplayOn()
CALL IBWRT(analyzer%, "SYST:DISP:UPD ON")   'Switch display on
END SUB
REM*****

REM ----- Switch display off -----
Public SUB DisplayOff()
CALL IBWRT(analyzer%, "SYST:DISP:UPD OFF")   'Switch display off
END SUB
REM*****

```

Configuring Power Save Function (Display Permanently Switched Off)

The results on the screen are often not required during IEC/IEEE-bus operation. Although the command "SYSTEM:DISPlay:UPDate OFF" switches off the display of results, which brings considerable advantages in terms of speed in the remote control mode, the display itself and in particular the backlighting remain switched on.

To switch the display off use the power save function, the response time having to be set in minutes prior to activation.

Note: *The display is switched on as soon as a key is pressed on the instrument front panel.*

```
REM ----- Configure power save function -----
Public SUB PowerSave()

CALL IBWRT(analyzer%, "SYSTEM:PSAVE:HOLDoff 1") 'Set holdoff to 1 minute
CALL IBWRT(analyzer%, "SYSTEM:PSAVE ON")      'Power save function on
END SUB
REM*****
```

Transmission of Simple Instrument Setting Commands

Center frequency, span, and reference level of the instrument are set in this example.

```
REM ----- Instrument setting commands -----
PUBLIC SUB SimpleSettings()

CALL IBWRT(analyzer%, "FREQUENCY:CENTER 128MHZ") 'Center frequency 128 MHz
CALL IBWRT(analyzer%, "FREQUENCY:SPAN 10MHZ")   'Span 10 MHz
CALL IBWRT(analyzer%, "DISPLAY:TRACE:Y:RLEVEL -10dBm")
                                                    'Reference level -10dBm
END SUB
REM *****
```

Return to Manual Control

```
REM ----- Switch instrument over to manual control -----
CALL IBLOC(analyzer%) 'Set instrument to Local state
REM *****
```

Reading Out Instrument Settings

The settings made in the above example are read out using the abbreviated commands.

```

REM ----- Reading out instrument settings -----
PUBLIC SUB ReadSettings()

CFfrequency$ = SPACE$(20)           'Provide text variables (20 characters)
CALL IBWRT(analyzer%, "FREQ:CENT?") 'Request center frequency
CALL IBRD(analyzer%, CFfrequency$)  'Read value

CFspan$ = SPACE$(20)                'Provide text variables (20 characters)
CALL IBWRT(analyzer%, "FREQ:SPAN?") 'Query span
CALL IBRD(analyzer%, CFspan$)       'Read value

RLevel$ = SPACE$(20)                'Provide text variables (20 characters)
CALL IBWRT(analyzer%, "DISP:TRAC:Y:RLEV?")
                                     'Query reference level
CALL IBRD(analyzer%, RLevel$)       'Read value

REM ----- Display values on the screen -----
PRINT "Center frequency: "; CFfrequency$,
PRINT "Span:           "; CFspan$,
PRINT "Reference level: "; RLevel$,
REM *****

```

Positioning Markers and Displaying Values

```

REM ----- Examples of marker functions -----
PUBLIC SUB ReadMarker()

CALL IBWRT(analyzer%, "CALC:MARKER ON;MARKER:MAX")
                                     'Activate marker1 and start peak search
MKmark$ = SPACE$(30)                'Provide text variables (30 characters)
CALL IBWRT(analyzer%, "CALC:MARK:X?;Y?") 'Query frequency and level
CALL IBRD(analyzer%, MKmark$)         'Read value

REM ----- Display values on the screen -----
PRINT "Center frequency / level "; MKmark$,
REM *****

```

Command Synchronization

The possibilities for synchronization implemented in the following example are described in Chapter 5, Section "Command Order and Command Synchronization".

```

REM ----- Examples of command synchronization -----
PUBLIC SUB SweepSync()

REM The command INITiate[:IMMediate] starts a single sweep if the command
REM INIT:CONT OFF was previously sent. It has to be ensured that the next
REM command is only executed when the entire sweep is complete.

CALL IBWRT(analyzer%, "INIT:CONT OFF")

REM ----- First possibility: Use of *WAI -----
CALL IBWRT(analyzer%, "ABOR;INIT:IMM; *WAI")

REM ----- Second possibility: Use of *OPC? -----
OpcOk$ = SPACE$(2)           'Space for *OPC? - Provide response
CALL IBWRT(analyzer%, "ABOR;INIT:IMM; *OPC?")

REM ----- The controller can operate other instruments -----
CALL IBRD(analyzer%, OpcOk$)           'Wait for "1" from *OPC?

REM ----- Third possibility: Use of *OPC -----
REM In order to be able to use the service request function in conjunction
REM with a National Instruments GPIB driver, the setting "Disable
REM Auto Serial Poll" must be changed to "yes" by means of IBCONF!

CALL IBWRT(analyzer%, "*SRE 32")      'Permit service request for ESR
CALL IBWRT(analyzer%, "*ESE 1")      'Set event enable bit for
                                     'operation complete bit

CALL IBWRT(analyzer%, "ABOR;INIT:IMM; *OPC") 'Start sweep and
                                     'synchronize to OPC

CALL WaitSRQ(boardID%,result%)      'Wait for service request
REM Continue main program.

END SUB
REM *****

```


Service Request

The service request routine requires an extended initialization of the instrument in which the relevant bits of the transition and enable registers are set.

In order to use the service request function in conjunction with a National Instruments GPIB driver, the setting "Disable Auto Serial Poll" must be changed to "yes" by means of IBCONF.

Initiate Service Request

```

REM ---- Example of initialization of the SRQ in the case of errors -----
PUBLIC SUB SetupSRQ()

CALL IBWRT(analyzer%, "*CLS")           'Reset status reporting system
CALL IBWRT(analyzer%, "*SRE 168")      'Permit service request for
                                        'STAT:OPER,STAT:QUES and ESR
                                        'register

CALL IBWRT(analyzer%, "*ESE 60")      'Set event enable bit for
                                        'command, execution, device-
                                        'dependent and query error

CALL IBWRT(analyzer%, "STAT:OPER:ENAB 32767") 'Set OPERATION enable bit for
                                        'all events

CALL IBWRT(analyzer%, "STAT:OPER:PTR 32767") 'Set appropriate OPERation
                                        'Ptransition bits

CALL IBWRT(analyzer%, "STAT:QUES:ENAB 32767") 'Set questionable enable bits
                                        'for all events

CALL IBWRT(analyzer%, "STAT:QUES:PTR 32767") 'Set appropriate questionable
                                        'Ptransition bits

END SUB
REM *****

```

Waiting for the Arrival of a Service Request

There are basically two methods of waiting for the arrival of a service request:

1. Blocking (user inputs not possible):

This method is appropriate if the waiting time until the event to be signalled by an SRQ is short (shorter than the selected timeout), if no response to user inputs is required during the waiting time, and if – as the main criterion – the event is absolutely certain to occur.

Reason:

From the time the WaitSRQ() function is called until the occurrence of the expected event, it does not allow the program to respond to mouse clicks or key entries during the waiting time. Moreover, it causes program abort if the SRQ event does not occur within the predefined timeout period.

The method is, therefore, in many cases not suitable for waiting for measurement results, especially with triggered measurements.

The following function calls are required:

```

CALL WaitSRQ(boardID%,result%)          'Wait for service request
                                        'User inputs are not possible
                                        'during the waiting time!

IF (result% = 1) THEN CALL Srq           'If SRQ is recognized =>
                                        'subroutine for evaluation

```

2. Non-blocking (user inputs possible):

This method is recommended if the waiting time until the event to be signalled by an SRQ is long (longer than the selected timeout), and user inputs should be possible during the waiting time, or if the event is not certain to occur. This method is, therefore, the preferable choice for waiting for the end of measurements, i.e. the output of results, especially in the case of triggered measurements.

The method necessitates a waiting loop that checks the status of the SRQ line at regular intervals and returns control to the operating system during the time the expected event has not yet occurred. In this way, the system can respond to user inputs (mouse clicks, key entries) during the waiting time.

It is advisable to employ the Hold() auxiliary function, which returns control to the operating system for a selectable waiting time (see section "Waiting Without Blocking the Keyboard or Mouse"), so enabling user inputs during the waiting time.

```

result% = 0
For i = 1 To 10                                'Abort after max. 10 loop
                                                'iterations
    CALL TestSRQ(boardID%,result%)           'Check service request line
    If (result% <> 0) Then                       'If SRQ is recognized =>
        CALL Srq                               'subroutine for evaluation
    Else
        Call Hold(20)                          'Call hold function with
                                                '20 ms waiting time.
                                                'User inputs are possible.
    Endif
Next i
If result% = 0 Then
    PRINT "Timeout Error; Program aborted" ' Output error message
    STOP                                     'Stop software
Endif

```

Waiting Without Blocking the Keyboard and Mouse

A frequent problem with remote control programs using Visual Basic is to insert waiting times without blocking the keyboard and the mouse.

If the program is to respond to user inputs also during a waiting time, control over the program events during this time must be returned to the operating system. In Visual Basic, this is done by calling the *DoEvents* function. This function causes keyboard- or mouse-triggered events to be executed by the associated elements. For example, it allows the operation of buttons and input fields while the user waits for an instrument setting to be completed.

The following programming example describes the *Hold()* function, which returns control to the operating system for the period of the waiting time selectable in milliseconds.

```

Rem *****
Rem The waiting function below expects the transfer of the desired
Rem waiting time in milliseconds. The keyboard and the mouse remain
Rem operative during the waiting period, thus allowing desired elements
Rem to be controlled
Rem *****
Public Sub Hold(delayTime As Single)
    Start = Timer          'Save timer count on calling the function
    Do While Timer < Start + delayTime / 1000    'Check timer count
        DoEvents          'Return control to operating system
                        'to enable control of desired elements as long as
                        'timer has not elapsed
    Loop
End Sub
Rem *****

```

The waiting procedure is activated simply by calling *Hold(<Waiting time in milliseconds>)*.

Service Request Routine

A service request is processed in the service request routine.

Note: the variables userN% and userM% must be pre-assigned usefully!

```

REM ----- Service request routine -----
Public SUB Srq()

ON ERROR GOTO noDevice          'No user existing
CALL IBRSP(analyzer%, STB%)    'Serial poll, read status byte
IF STB% > 0 THEN                'This instrument has bits set
                                'in the STB

    SRQFOUND% = 1
    IF (STB% AND 16) > 0 THEN CALL Outputqueue
    IF (STB% AND 4) > 0 THEN CALL ErrorQueueHandler
    IF (STB% AND 8) > 0 THEN CALL Questionablestatus
    IF (STB% AND 128) > 0 THEN CALL Operationstatus
    IF (STB% AND 32) > 0 THEN CALL Esrread
END IF
noDevice:
END SUB                        'End of SRQ routine
REM *****

```

Reading out the status event registers, the output buffer and the error/event queue is effected in subroutines.

Reading Out the Output Buffer

```

REM ----- Subroutine for the individual STB bits -----
Public SUB Outputqueue()
                                'Reading the output buffer

result$ = SPACE$(100)           'Make space for response
CALL IBRD(analyzer%, result$)
PRINT "Contents of Output Queue : "; result$
END SUB
REM *****

```

Reading Out Error Messages

```

REM ----- Subroutine for reading the error queue -----
Public SUB ErrorQueueHandler()
ERROR$ = SPACE$(100)           'Make space for error variable
CALL IBWRT(analyzer%, "SYSTEM:ERROR?")
CALL IBRD(analyzer%, ERROR$)
PRINT "Error Description : "; ERROR$
END SUB
REM *****

```

Evaluation of SCPI Status Registers

```

REM ----- Subroutine for evaluating Questionable Status Register -----
Public SUB Questionablestatus()
Ques$ = SPACE$(20)             'Preallocate blanks to text variable
CALL IBWRT(analyzer%, "STATUS:QUESTIONABLE:EVENT?")
CALL IBRD(analyzer%, Ques$)
PRINT "Questionable Status: "; Ques$
END SUB
REM *****

```

```

REM ----- Subroutine for evaluating Operation Status Register -----
Public SUB Operationstatus()
Oper$ = SPACE$(20)             'Preallocate blanks to text variable
CALL IBWRT(analyzer%, "STATUS:OPERATION:EVENT?")
CALL IBRD(analyzer%, Oper$)
PRINT "Operation Status: "; Oper$
END SUB
REM *****

```

Evaluation of Event Status Register

```

REM ----- Subroutine for evaluating the Event Status Register -----
Public SUB Esrread()
Esr$ = SPACE$(20)           'Preallocate blanks to text variable
CALL IBWRT(analyzer%, "*ESR?")           'Read ESR
CALL IBRD(analyzer%, Esr$)
IF (VAL(Esr$) AND 1) > 0 THEN PRINT "Operation complete"
IF (VAL(Esr$) AND 2) > 0 THEN PRINT "Request Control"
IF (VAL(Esr$) AND 4) > 0 THEN PRINT "Query Error"
IF (VAL(Esr$) AND 8) > 0 THEN PRINT "Device dependent error"
IF (VAL(Esr$) AND 16) > 0 THEN
    PRINT "Execution Error; Program aborted" ' Output error message
    STOP                                     'Stop software
    END IF
IF (VAL(Esr$) AND 32) > 0 THEN
    PRINT "Command Error; Program aborted" ' Output error message
    STOP                                     'Stop software
    END IF
IF (VAL(Esr$) AND 64) > 0 THEN PRINT "User request"
IF (VAL(Esr$) AND 128) > 0 THEN PRINT "Power on"
END SUB
REM *****

```

More Complex Programming Examples

Default Setting of the FSP

The following settings are an example of how to modify the default setting of the FSP.

It should be noted that only some settings are necessary depending on the example of application. In particular, the settings for resolution bandwidth, video bandwidth and sweep time are often not needed since these parameters are automatically calculated in the default setting on modifying the frequency range (span). The insertion loss is also automatically calculated depending on the reference level. The level detectors are coupled to the selected trace mode in the default setting.

The settings which are automatically calculated in the default setting are marked by (*) in the following programming example.

Setting the IEC/IEEE Bus Status Register

```

REM *****
Public Sub SetupStatusReg()

'----- IEEE 488.2 status register -----
CALL IBWRT(analyzer%,"*CLS")           'Reset Status Registers
CALL IBWRT(analyzer%,"*SRE 168")      'Enable service request
                                       'for STAT:OPER-,STAT:QUES- and
                                       'ESR registers

CALL IBWRT(analyzer%,"*ESE 61")      'Set Event Enable bit for:
                                       'Operation Complete
                                       'Command-, Execution-,Device
                                       'Dependent- and Query Error

'----- SCPI status register -----
CALL IBWRT(analyzer%,"STAT:OPER:ENAB 0") 'Disable OPERation Status Reg
CALL IBWRT(analyzer%,"STAT:QUES:ENAB 0") 'Disable Questionable Status
                                       'Register

End Sub
REM *****

```

Default Setting for Measurements

```

REM *****
Public Sub SetupInstrument()

'----- FSP default setting -----
CALL SetupStatusReg           'Set status registers
CALL IBWRT(analyzer%,"*RST")  'Reset instrument
CALL IBWRT(analyzer%,"SYST:DISP:UPD ON") 'ON: display on
                                   'OFF: off(improved
                                   '      performance)

CALL IBWRT(analyzer%,"DISP:FORM SINGLE") 'Full screen
CALL IBWRT(analyzer%,"DISP:WIND1:SEL")  'Active screen A
CALL IBWRT(analyzer%,"INIT:CONT OFF")   'Single sweep

'----- Set frequency -----
CALL IBWRT(analyzer%,"FREQUENCY:CENTER 100MHz") 'Center frequency
CALL IBWRT(analyzer%,"FREQ:SPAN 1 MHz")         'Span

'----- Set level -----
CALL IBWRT(analyzer%,"DISP:WIND:TRAC:Y:RLEV -20dBm") 'Reference level
CALL IBWRT(analyzer%,"INP:ATT 10dB")                'Input attenuation (*)

'----- Scale y axis -----
CALL IBWRT(analyzer%,"DISP:WIND:TRAC:Y:SPAC LOG")   'Log level axis
CALL IBWRT(analyzer%,"DISP:WIND:TRAC:Y:SCAL 100dB") 'Level range
CALL IBWRT(analyzer%,"DISP:WIND:TRAC:Y:SCAL:MODE ABS") 'Absolute scaling
CALL IBWRT(analyzer%,"CALC:UNIT:POW DBM")          'Unit of y axis

'----- Trace and detector settings -----
CALL IBWRT(analyzer%,"DISP:WIND:TRAC1:MODE AVER")   'Trace1 average
CALL IBWRT(analyzer%,"AVER:TYPE VID")              'Average mode video;
                                                    ' "LIN" for linear

CALL IBWRT(analyzer%,"SWE:COUN 10")                'Sweep count
CALL IBWRT(analyzer%,"DISP:WIND:TRAC2:STAT OFF")   'Trace2 blank
CALL IBWRT(analyzer%,"DISP:WIND:TRAC3:STAT OFF")   'Trace3 blank
CALL IBWRT(analyzer%,"CALC:MATH:STAT OFF")         'Trace mathematics off

CALL IBWRT(analyzer%,"DETECTOR1 RMS")              'Detector Trace1  (*)
CALL IBWRT(analyzer%,"DET2:AUTO ON")              'Detector Trace2  (*)
CALL IBWRT(analyzer%,"DET3:AUTO ON")              'Detector Trace3  (*)

'----- Band width and sweep time -----
CALL IBWRT(analyzer%,"BAND:RES 100KHz")            'Resolution BW  (*)
CALL IBWRT(analyzer%,"BAND:VID 1MHz")             'Video bandwidth  (*)
CALL IBWRT(analyzer%,"SWE:TIM 100ms")            'Sweep time      (*)

END SUB

REM *****

```

Using Marker and Delta Marker

Marker Search Functions, Limitation of Search Range

The example below is based on an AM-modulated signal at 100 MHz with the following characteristics:

- Carrier signal level: -30 dBm
- AF frequency: 100 kHz
- Modulation depth: 50 %

Marker 1 and delta marker 2 are set one after the other to the highest maxima of the measurement curve and then the frequency and level are read out. The default setting of the FSP can be used for the following measurements (SetupInstrument).

REM *****

Public Sub MarkerSearch()

result\$ = Space\$(100)

CALL SetupInstrument 'Default setting

'----- Peak search without search limit -----

CALL IBWRT(analyzer%,"INIT:CONT OFF") 'Switch to single sweep

CALL IBWRT(analyzer%,"CALC:MARK:PEXC 6DB") 'Define peak excursion

CALL IBWRT(analyzer%,"CALC:MARK:STAT ON") 'Switch on Marker 1

CALL IBWRT(analyzer%,"CALC:MARK:TRAC 1") 'Assign Marker 1 to Trace 1

CALL IBWRT(analyzer%,"INIT;*WAI") 'Perform sweep with sync

CALL IBWRT(analyzer%,"CALC:MARK:MAX;X?;Y?") 'Marker to peak; read out

CALL IBRD(analyzer%, result\$) 'frequency and level

Print "Marker 1: ";result\$

CALL IBWRT(analyzer%,"CALC:DELT2:STAT ON;MAX;MAX:LEFT")

'Switch on delta marker 2

'Peak and then Next Peak Left

CALL IBWRT(analyzer%,"CALC:DELT:MODE ABS") 'Delta marker2 frequency output

'absolute

CALL IBWRT(analyzer%,"CALC:DELT2:X?;Y?") 'Delta marker 2 - read out

'frequency and level

CALL IBRD(analyzer%, result\$)

Print "Delta 2: ";result\$

'----- Peak search with search limit in x direction -----

CALL IBWRT(analyzer%,"CALC:MARK:X:SLIM:STAT ON;LEFT 0Hz;RIGHT 100.05MHz")

'Search limit on and set below

'LF on the right side

CALL IBWRT(analyzer%,"CALC:DELT3:STAT ON;MAX;MAX:RIGHT")

'Delta marker 3 on

'Peak and then Next Peak Right

CALL IBWRT(analyzer%,"CALC:DELT3:X?;Y?") 'Delta marker 3; Read out

'frequency and level, both must

'have the value 0

CALL IBRD(analyzer%, result\$)

Print "Delta 3: ";result\$


```

'----- Peak search with search limit in y direction -----
CALL IBWRT(analyzer%,"CALC:THR:STAT ON")
CALL IBWRT(analyzer%,"CALC:THR -35DBM")           'Threshold on and set above LF
CALL IBWRT(analyzer%,"CALC:DELT3:STAT ON;MAX;MAX:NEXT")
                                                'Delta marker 3 on
                                                'Peak and then Next Peak
                                                ' => is not found

CALL IBWRT(analyzer%,"CALC:DELT3:X:REL?::CALC:DELT3:Y?")
CALL IBRD(analyzer%, result$)                   'Delta marker 3; read out
                                                'frequency and level, both must
                                                'have the value 0

Print "Delta 3: ";result$

'---- Set center frequency and reference level by means of markers -----
CALL IBWRT(analyzer%,"CALC:MARK2:FUNC:CENT") 'Delta marker 2 -> Marker and
                                                'center frequency = Marker 2

CALL IBWRT(analyzer%,"CALC:MARK2:FUNC:REF") 'Ref level = Marker 2
Call ibwrt(analyzer%,"INIT;*WAI")           'Perform sweep with sync

END SUB
REM *****

```

Measuring Spurious Emissions

In transmission measurements, it is often necessary to search a large frequency range for unwanted spurious emissions.

This can be done by means of the FSP's LIST PEAKS function, which finds up to 50 peaks in a preselected frequency range and outputs them as a list. The search range can be defined both in terms of frequency and level, and the number of peaks to be found is selectable as well.

In the following example, the 10 highest peaks are to be found in a preselected frequency range. Only signals >-60 dBm in a range ± 400 kHz about the center frequency are of interest, so the search range is limited accordingly. The signals found are output in the order of ascending frequency.

```

REM *****
Public Sub SpuriousSearch()

powerlist$ = Space$(1000)
freqlist$ = Space$(1000)
count$ = Space$(30)

'----- FSP default setting -----
CALL SetupInstrument           'Default setting
CALL IBWRT(analyzer%,"INIT:CONT OFF") 'Default setting
'----- Definition of search range -----
CALL IBWRT(analyzer%,"CALC:MARK:X:SLIM:STAT ON")
CALL IBWRT(analyzer%,"CALC:MARK:X:SLIM:LEFT 99.6MHz;RIGHT 100.4MHz")
                                'Activate search limit and
                                'set to  $\pm 400$  kHz about
                                'center frequency

CALL IBWRT(analyzer%,"CALC:THR:STAT ON")
CALL IBWRT(analyzer%,"CALC:THR -60DBM") 'Activate threshold and
                                        'set to -60 dBm

'----- Activate search for spurious -----
CALL IBWRT(analyzer%,"CALC:MARK:FUNC:FPE:SORT X") 'Sort according to
                                                'frequency
CALL IBWRT(analyzer%,"INIT;*WAI") 'Perform sweep with sync
CALL IBWRT(analyzer%,"CALC:MARK:FUNC:FPE 10") 'Search for
                                                '10 highest peaks
CALL IBWRT(analyzer%,"CALC:MARK:FUNC:FPE:COUN?") 'Call number of
                                                'peaks, check it,
CALL IBRD(analyzer%, count$) 'and read it in
CALL IBWRT(analyzer%,"CALC:MARK:FUNC:FPE:X?") 'Query and read
CALL IBRD(analyzer%, freqlist$) 'frequency list
CALL IBWRT(analyzer%,"CALC:MARK:FUNC:FPE:Y?") 'Query and read
CALL IBRD(analyzer%, powerlist$) 'level list
Print "# of spurious: ";count$ 'Output number of results
Print "Frequencies: ";freqlist$ 'Output frequency list
Print "Power: ";powerlist$ 'Output level list

END SUB
REM *****

```

Frequency Counting

The following example is based on a signal with a level of -30 dBm at 100 MHz. The default setting of the FSP can also be used for this measurement (SetupInstrument). The objective of frequency counting is to determine the exact frequency of the signal at 100 MHz.

```

REM *****
Public Sub MarkerCount()

result$ = Space$(100)
CALL SetupInstrument           'Default setting
'----- Measure signal frequency with frequency counter -----
CALL IBWRT(analyzer%,"INIT:CONT OFF")      'Single sweep on
CALL IBWRT(analyzer%,"CALC:MARK:PEXC 6DB")  'Peak excursion
CALL IBWRT(analyzer%,"CALC:MARK:STAT ON")   'Marker 1 on
CALL IBWRT(analyzer%,"CALC:MARK:TRAC 1")   'Assign marker 1 to trace 1
CALL IBWRT(analyzer%,"CALC:MARK:X 100MHZ") 'Set marker 1 to 100 MHz
CALL IBWRT(analyzer%,"CALC:MARK:COUNT:RES 1HZ") 'Frequency counter 1 Hz
CALL IBWRT(analyzer%,"CALC:MARK:COUNT ON") 'frequency counter on
CALL IBWRT(analyzer%,"INIT;*WAI")         'Perform sweep with sync
CALL IBWRT(analyzer%,"CALC:MARK:COUNT:FREQ?") 'Query measured frequency
CALL IBRD(analyzer%, result$)             'and read it out

Print "Marker Count Freq: ";result$

END SUB
REM *****

```

Operation with Fixed Reference Point (Reference Fixed)

The following example is based on a signal with a level of -20 dBm at 100 MHz. The harmonics of the signal lie at 200 MHz, 300 MHz, etc. In the presence of high-quality signal sources these harmonics may be outside the dynamic range of the FSP. In order to measure harmonic suppression, however, the level must be set to higher sensitivity for measuring the harmonics; the carrier has to be suppressed by a notch filter to avoid overloading the FSP RF input.

In the following example, two measurements are therefore performed with different level settings, first with a high reference level at the carrier frequency and then with a low reference level at the frequency of the 3rd harmonic.

The default setting of the FSP for measurements (SetupInstrument) is used as starting point and adaptations are then made for the measurement.

```

REM *****
Public Sub RefFixed()

result$ = Space$(100)
CALL SetupInstrument           'Default setting
'----- Measure the reference point -----
CALL IBWRT(analyzer%,"INIT:CONT OFF")           'Single sweep
CALL IBWRT(analyzer%,"CALC:MARK:PEXC 6DB")      'Peak Excursion
CALL IBWRT(analyzer%,"CALC:MARK:STAT ON")       'Marker1 on
CALL IBWRT(analyzer%,"CALC:MARK:TRAC 1")       'Assign Marker 1 to Trace 1
CALL IBWRT(analyzer%,"INIT;*WAI")              'Perform sweep with sync
CALL IBWRT(analyzer%,"CALC:MARK:MAX")          'Set Marker1 to 100 MHz
CALL IBWRT(analyzer%,"CALC:DELT:FUNC:FIX ON")   'Reference fixed
'-----Setting frequency, level and bandwidth for harmonic measurement -----
CALL IBWRT(analyzer%,"FREQ:CENT 400MHz;Span 1MHz") 'Set freq. of 3rd harmonic
CALL IBWRT(analyzer%,"BAND:RES 1kHz")          'and appropriate RBW
CALL IBWRT(analyzer%,"SWEEP:TIME:AUTO ON")     'Couple sweep time
CALL IBWRT(analyzer%,"INP:ATT:AUTO ON")        'Optimize level
CALL IBWRT(analyzer%,"DISP:WIND:TRAC:Y:RLEV -50dBm")
CALL IBWRT(analyzer%,"INIT;*WAI")              'Perform sweep with sync
CALL IBWRT(analyzer%,"CALC:DELT:MODE REL")     'Delta marker frequency
                                           'relative
CALL IBWRT(analyzer%,"CALC:DELT:MAX;X?;Y?")   'Read out delta marker
Call ibrd(analyzer%, result$)                 'Read out frequency and level
Print "Deltamarker 1: "; result$
END SUB
REM *****

```

Phase and Phase Noise Measurement

During phase noise measurement the noise power referred to 1 Hz is brought into proportion to the power of an adjacent carrier signal. The spacing often used between the measured frequency and the carrier frequency is 10 kHz.

For the noise measurement the measured absolute level is referred to a bandwidth of 1 Hz.

The following example is again based on a signal with a level of -30 dBm at 100 MHz. Two markers are used to determine the noise and the phase noise at an offset of 10 kHz from the carrier signal.

```

REM *****
Public Sub Noise()

result$ = Space$(100)

'----- FSP default setting -----
CALL SetupStatusReg           'Configure status register
CALL IBWRT(analyzer%,"*RST")   'Reset instrument
CALL IBWRT(analyzer%,"INIT:CONT OFF") 'Single sweep

'----- Set frequency -----
CALL IBWRT(analyzer%,"FREQUENCY:CENTER 100MHz") 'Center frequency
CALL IBWRT(analyzer%,"FREQ:SPAN 100 kHz")       'Span

'----- Set level -----
CALL IBWRT(analyzer%,"DISP:WIND:TRAC:Y:RLEV -20dBm") 'Reference level
CALL IBWRT(analyzer%,"INIT;*WAI")                   'Perform sweep with sync

'----- Set reference point -----
CALL IBWRT(analyzer%,"CALC:MARK:PEXC 6DB")          'Peak excursion
CALL IBWRT(analyzer%,"CALC:MARK:STAT ON")           'Marker 1 on
CALL IBWRT(analyzer%,"CALC:MARK:TRAC 1")           'Assign marker1 to tracel
CALL IBWRT(analyzer%,"CALC:MARK:MAX")              'Set marker1 to 100 MHz
CALL IBWRT(analyzer%,"CALC:DELT:FUNC:PNO ON")       'Define phase noise
                                                    'reference point

'----- Measure phase noise -----
CALL IBWRT(analyzer%,"CALC:DELT:X 10kHz")           'Set delta marker
CALL IBWRT(analyzer%,"CALC:DELT:FUNC:PNO:RES?")    'Read out result of
Call ibrd(analyzer%, result$)                       'phase noise meas.
Print "Phase Noise [dBc/Hz]: "; result$

'----- Measure noise -----
CALL IBWRT(analyzer%,"CALC:MARK:X 99.96MHz")       'Set Marker 1
CALL IBWRT(analyzer%,"CALC:MARK:FUNC:NOIS:RES?")   'Read out result
Call ibrd(analyzer%, result$)
Print "Noise [dBm/Hz]: "; result$

END SUB

REM *****

```

Shape Factor Measurement (using n dB down)

The n-dB-down function of the FSP is used twice to determine the shape factor of a filter (ratio of bandwidths at 60 dB and 3 dB below the filter maximum).

The following example is again based on a signal with a level of -30 dBm at 100 MHz. The shape factor is determined for the 30 kHz resolution bandwidth. The default setting of the FSP is used for measurements (SetupInstrument).

```

REM *****
Public Sub ShapeFactor()

result$ = Space$(100)

'----- FSP default setting -----
CALL SetupInstrument           'Default setting
CALL IBWRT(analyzer%,"INIT:CONT OFF") 'Single sweep

'----- Set frequency -----
CALL IBWRT(analyzer%,"FREQ:SPAN 1MHz") 'Span
CALL IBWRT(analyzer%,"BAND:RES 30kHz") 'Resolution bandwidth
CALL IBWRT(analyzer%,"INIT;*WAI") 'Perform sweep with sync

'----- Measure 60 dB value -----
CALL IBWRT(analyzer%,"CALC:MARK:PEXC 6DB") 'Peak excursion
CALL IBWRT(analyzer%,"CALC:MARK:STAT ON") 'Marker1 on
CALL IBWRT(analyzer%,"CALC:MARK:TRAC 1") 'Assign marker1 to trace1
CALL IBWRT(analyzer%,"CALC:MARK:MAX") 'Set marker1 to 100 MHz

CALL IBWRT(analyzer%,"CALC:MARK:FUNC:NDBD 60dB") 'Read out bandwidth measured
CALL IBWRT(analyzer%,"CALC:MARK:FUNC:NDBD:RES?") 'at 60 dB
CALL IBRD(analyzer%,result$)

result60 = Val(result$)

'----- Measure 3 dB Down value -----
CALL IBWRT(analyzer%,"CALC:MARK:FUNC:NDBD 3dB") 'Read out bandwidth measured
CALL IBWRT(analyzer%,"CALC:MARK:FUNC:NDBD:RES?") 'at 60 dB
CALL IBRD(analyzer%,result$)

result3 = Val(result$)

'----- Read out shape factor-----
Print "Shapefaktor 60dB/3dB: ";result60/result3

END SUB

REM *****

```

Measuring the Third Order Intercept Point

The third order intercept point (TOI) is the (virtual) level of two adjacent useful signals at which the intermodulation products of third order have the same level as the useful signals.

The intermodulation product at f_{S2} is obtained by mixing the first harmonic of the useful signal P_{N2} with signal P_{N1} , the intermodulation product at f_{S1} by mixing the first harmonic of the useful signal P_{N1} with signal P_{N2} .

$$f_{S1} = 2 \times f_{n1} - f_{n2} \quad (1)$$

$$f_{S2} = 2 \times f_{n2} - f_{n1} \quad (2)$$

The following example is based on two adjacent signals with a level of -30 dBm at 100 MHz and 110 MHz. The intermodulation products lie at 90 MHz and 120 MHz according to the above formula. The frequency is set so that the examined mixture products are displayed in the diagram. Otherwise, the default setting of the FSP is used for measurements (SetupInstrument).

```

REM *****
Public Sub TOI()

result$ = Space$(100)

'----- FSP default setting -----
CALL SetupStatusReg           'Set status registers
CALL IBWRT(analyzer%,"*RST")  'Reset instrument
CALL IBWRT(analyzer%,"INIT:CONT OFF") 'Single sweep
CALL IBWRT(analyzer%,"SYST:DISP:UPD ON") 'ON: display on
                                     'OFF: off

'----- Set frequency -----
CALL IBWRT(analyzer%,"FREQ:START 85MHz;STOP 125 MHz") 'Span

'----- Set level -----
CALL IBWRT(analyzer%,"DISP:WIND:TRAC:Y:RLEV -20dBm") 'Reference level
CALL IBWRT(analyzer%,"INIT;*WAI") 'Perform sweep with sync

'----- TOI measurement -----
CALL IBWRT(analyzer%,"CALC:MARK:PEXC 6DB") 'Peak excursion
CALL IBWRT(analyzer%,"CALC:MARK:FUNC:TOI ON") 'Switch on TOI measurement
CALL IBWRT(analyzer%,"CALC:MARK:FUNC:TOI:RES?") 'and read out results
CALL IBRD(analyzer%,result$)

'----- Read out result -----
Print "TOI [dBm]: ";result$

END SUB

REM *****

```

Measuring the AM Modulation Depth

The example below is based on an AM-modulated signal at 100 MHz with the following characteristics:

- Carrier signal level: -30 dBm
- AF frequency: 100 kHz
- Modulation depth: 50 %

The default setting of the analyzer for measurements can be used for the measurements described below (SetupInstrument).

```

REM *****
Public Sub AMMod()

result$ = Space$(100)
CALL SetupInstrument           'Default setting

'----- Peak search -----
CALL IBWRT(analyzer%,"INIT:CONT OFF")      'Single sweep
CALL IBWRT(analyzer%,"INIT;*WAI")         'Perform sweep with sync
CALL IBWRT(analyzer%,"CALC:MARK:PEXC 6DB") 'Peak excursion
CALL IBWRT(analyzer%,"CALC:MARK:STAT ON")  'Marker 1 on
CALL IBWRT(analyzer%,"CALC:MARK:TRAC 1")   'Assign marker1 to tracel

'----- Measure modulation depth-----
CALL IBWRT(analyzer%,"CALC:MARK:MAX;FUNC:MDEP ON") 'Marker to Peak;
CALL IBWRT(analyzer%,"CALC:MARK:FUNC:MDEP:RES?") 'Measure mod. depth
CALL IBRD(analyzer%, result$)               'Read out result

'----- Read out result -----
Print "AM Mod Depth [%]: ";result$

END SUB
REM *****

```


Limit Lines and Limit Test

The example below shows the definition and use of a new limit line 5 for trace 1 on screen A and trace 2 on screen B with the following characteristics:

- Upper limit line
- Absolute x axis in the frequency range
- 5 reference values: 120 MHz / -70 dB, 126 MHz/-40 dB, 127 MHz/-40 dB, 128 MHz/-10 dB, 129 MHz/-40 dB, 130 MHz/-40 dB, 136 MHz / -70 dB
- Relative y axis with unit dB
- Absolute threshold at -75 dBm
- No margin

The signal of the integrated calibration source (128 MHz, -30 dBm) is used to check the limit test.

```

REM *****
Public Sub LimitLine()

result$ = Space$(100)

'----- FSP default setting -----
CALL SetupInstrument                'Default setting
CALL IBWRT(analyzer%,"FREQUENCY:CENTER 128MHZ;Span 10MHZ")'Span
Call ibwrt(analyzer%,"Diag:Serv:Inp Cal;CSO -30dBm")  'Cal signal on
'----- Definition of limit lines -----
CALL IBWRT(analyzer%,"CALC:LIM5:NAME 'TEST1'")        'Define name
CALL IBWRT(analyzer%,"CALC:LIM5:COMM 'Upper limit'")  'Define comment
CALL IBWRT(analyzer%,"CALC1:LIM5:TRAC 1")            'Assign trace in screen A
CALL IBWRT(analyzer%,"CALC2:LIM5:TRAC 2")            'Assign trace in screen B
CALL IBWRT(analyzer%,"CALC:LIM5:CONT:DOM FREQ")      'Define x axis range
CALL IBWRT(analyzer%,"CALC:LIM5:CONT:MODE ABS")      'Define x axis scaling
CALL IBWRT(analyzer%,"CALC:LIM5:UNIT DB")            'Define y axis unit
CALL IBWRT(analyzer%,"CALC:LIM5:UPP:MODE REL")       'Define y axis scaling
'----- Definition of data points and threshold -----
xlimit$ = "CALC:LIM5:CONT 120MHZ,126MHZ,127MHZ,128MHZ,129MHZ,130MHZ,136MHZ"
CALL IBWRT(analyzer% , xlimit$)                      'Set values for x axis
CALL IBWRT(analyzer%,"CALC:LIM5:UPP -70,-40,-40,-20,-40,-40,-70")
                                                    'Set values for y axis

CALL IBWRT(analyzer%,"CALC:LIM5:UPP:THR -75DBM") 'Set y threshold (only
                                                    'possible for relative
                                                    'y axis)

'-----
'A margin or an x /y offset can be defined here.

'----- Activate and evaluate the limit line in screen A -----
CALL IBWRT(analyzer%,"CALC1:LIM5:UPP:STAT ON") 'Activate line 5 in screen A
CALL IBWRT(analyzer%,"CALC1:LIM5:STAT ON")     'Activate limit check in
                                                    'screen A

CALL IBWRT(analyzer%,"INIT;*WAI")             'Perform sweep with sync

```

```
CALL IBWRT(analyzer%,"CALC1:LIM5:FAIL?")      'Query result of limit
                                              'check
CALL IBRD(analyzer%, result$)                'Result: 1 (= FAIL)
'----- Read out result -----
Print "Limit Result Line 5: ";result$

'----- Evaluate limit line in screen A by means of status register -----
CALL IBWRT(analyzer%,"*CLS")                  'Reset status register
'----- Measure -----
CALL IBWRT(analyzer%,"INIT;*OPC")            'Perform sweep with sync
CALL WaitSRQ(boardID%,status%)              'Wait for service request
'----- Read out result -----
IF (status% = 1) THEN
    CALL IBWRT(analyzer%,"STAT:QUES:LIM1:COND?") 'Read out STAT:QUES:Limit
    CALL IBRD(analyzer%, result$)              'register
    IF ((Val(result$) And 16) <> 0) THEN
        Print "Limit5 failed"
    ELSE
        Print "Limit5 passed"
    END IF
END IF
END SUB
REM *****
```

Measuring the Channel and Adjacent Channel Power

In the following example, the channel and adjacent channel power is first measured on a signal with a level of 0 dBm at 800 MHz to IS95. Then the channel and adjacent channel power is measured on a GSM signal at 935.2 MHz with fast ACP measurement (FAST ACP).

In addition, the limit test is activated.

```

REM *****
Public Sub ACP()

result$ = Space$(100)

'----- FSP default setting -----
CALL SetupStatusReg           'Set status register
CALL IBWRT(analyzer%,"*RST")  'Reset instrument
CALL IBWRT(analyzer%,"INIT:CONT OFF") 'Single sweep
CALL IBWRT(analyzer%,"SYST:DISP:UPD ON") 'ON: display on
                                      'OFF: off

'----- Set frequency -----
CALL IBWRT(analyzer%,"FREQ:CENT 800MHz") 'Set frequency

'----- Set level -----
CALL IBWRT(analyzer%,"DISP:WIND:TRAC:Y:RLEV 10dBm") 'Reference level

'----- Example 1: Configure CP/ACP for CDMA -----
CALL IBWRT(analyzer%,"CALC2:MARK:FUNC:POW:SEL ACP") 'ACP measurement on
CALL IBWRT(analyzer%,"CALC:MARK:FUNC:POW:PRES F8CDMA") 'Select CDMA800 FWD
CALL IBWRT(analyzer%,"SENS:POW:ACH:ACP 2") 'Select 2 adjacent channels
CALL IBWRT(analyzer%,"SENS:POW:ACH:PRES ACP") 'Optimize settings
CALL IBWRT(analyzer%,"SENS:POW:ACH:PRES:RLEV") 'Optimize reference level
CALL IBWRT(analyzer%,"SENS:POW:ACH:MODE ABS") 'Absolute measurement
CALL IBWRT(analyzer%,"SENS:POW:HSP ON") 'Fast ACP measurement

'----- Perform measurement and query results -----
CALL IBWRT(analyzer%,"INIT;*WAI") 'Perform sweep with sync
CALL IBWRT(analyzer%,"CALC2:MARK:FUNC:POW:RES? ACP") 'Query result
CALL IBRD(analyzer%, result$)

'----- Read out result -----
Print "Result (CP, ACP low, ACP up, Alt low, Alt up): "
Print result$

```

```

'----- Example 2: Configure CP/ACP manually for GSM -----
result$ = Space$(100)
CALL IBWRT(analyzer%,"FREQ:CENT 935.2MHz")      'Set frequency
CALL IBWRT(analyzer%,"CALC:MARK:FUNC:POW:SEL ACP") 'ACP measurement on
CALL IBWRT(analyzer%,"SENS:POW:ACH:ACP 1")      '1 adjacent channel
CALL IBWRT(analyzer%,"SENS:POW:ACH:BAND 200KHZ") 'Channel bandw. 200 kHz
CALL IBWRT(analyzer%,"SENS:POW:ACH:BAND:ACH 200KHZ") 'Adjacent channel band-
                                                    'width 200 kHz
CALL IBWRT(analyzer%,"SENS:POW:ACH:SPAC 200KHZ") 'Channel spacing 200 kHz
CALL IBWRT(analyzer%,"SENS:POW:ACH:PRES ACP")   'Optimize settings
CALL IBWRT(analyzer%,"SENS:POW:ACH:PRES:RLEV")  'Optimize reference level
CALL IBWRT(analyzer%,"SENS:POW:ACH:MODE ABS")   'Absolute measurement
'----- Start measurement and query result -----
CALL IBWRT(analyzer%,"INIT;*WAI")              'Perform sweep with sync
CALL IBWRT(analyzer%,"CALC:MARK:FUNC:POW:RES? ACP") 'Query result
CALL IBRD(analyzer%, result$)
'----- Read out result -----
Print "Result (CP, ACP low, ACP up): "
Print result$
'----- Active limit check -----
result$ = Space$(100)
CALL IBWRT(analyzer%,"CALC:LIM:ACP:ACH 30DB, 30DB") 'Set relative limit
CALL IBWRT(analyzer%,"CALC:LIM:ACP:ACH:ABS -35DBM,-35DBM")
                                                    'Set absolute limit
CALL IBWRT(analyzer%,"CALC:LIM:ACP:ACH:STAT ON")   'Rel. limit check on
CALL IBWRT(analyzer%,"CALC:LIM:ACP:ACH:ABS:STAT ON") 'Abs. limit check on
CALL IBWRT(analyzer%,"CALC:LIM:ACP ON")           'Limit check on
'----- Start measurement and query result -----
CALL IBWRT(analyzer%,"INIT;*WAI")              'Perform sweep with
sync
CALL IBWRT(analyzer%,"CALC:LIM:ACP:ACH:RES?")     'Query result of
CALL IBRD(analyzer%, result$)                   'limit check
'----- Read out result -----
Print "Result Limit Check: ";result$
END SUB
REM *****

```

Occupied Bandwidth Measurement

In the following example, the bandwidth is to be found in which 95% of the power of a GSM signal is contained. Signal frequency is 935,2 MHz; channel bandwidth is 200 kHz.

```

REM *****
Public Sub OBW()

result$ = Space$(100)

'----- FSP default setting -----
CALL SetupStatusReg           'Set status register
CALL IBWRT(analyzer%,"*RST")  'Reset instrument
CALL IBWRT(analyzer%,"INIT:CONT OFF") 'Single sweep
CALL IBWRT(analyzer%,"SYST:DISP:UPD ON") 'ON: display on
                                      'OFF: off

'----- Configure FSP for OBW for GSM -----
CALL IBWRT(analyzer%,"FREQ:CENT 935.2MHz") 'Set frequency
CALL IBWRT(analyzer%,"CALC:MARK:FUNC:POW:SEL OBW") 'OBW measurement on
CALL IBWRT(analyzer%,"SENS:POW:ACH:BAND 200KHZ") 'Channel bandw. 200 kHz
CALL IBWRT(analyzer%,"SENS:POW:BWID 95PCT") 'Percentage of power
CALL IBWRT(analyzer%,"SENS:POW:ACH:PRES OBW") 'Set frequency and
CALL IBWRT(analyzer%,"SENS:POW:ACH:PRES:RLEV") 'optimize reference level
CALL IBWRT(analyzer%,"SENS:POW:NCOR OFF") 'Noise correction
                                      'OFF: switch off
                                      'ON: switch on

'----- Perform measurement and query results -----
CALL IBWRT(analyzer%,"INIT;*WAI") 'Perform sweep with sync
CALL IBWRT(analyzer%,"CALC:MARK:FUNC:POW:RES? OBW") 'Query result
CALL IBRD(analyzer%, result$)

Print result$

END SUB

REM *****

```

Time Domain Power Measurement

In the following example, the mean carrier power of a signal with 300 kHz bandwidth at 100 MHz is to be determined. In addition, the peak power, the rms value and the standard deviation are measured. To do this, the time-domain-power measurement functions are used.

```

REM *****
Public Sub TimeDomainPower()

result$ = Space$(100)

'----- FSP default setting -----
CALL SetupStatusReg           'Set status register
CALL IBWRT(analyzer%,"*RST")  'Reset instrument
CALL IBWRT(analyzer%,"INIT:CONT OFF") 'Single sweep
CALL IBWRT(analyzer%,"SYST:DISP:UPD ON") 'ON: display on
                                      'OFF: off

'----- Configure FSP for time domain power measurement -----
CALL IBWRT(analyzer%,"FREQ:CENT 100MHz;SPAN 0Hz") 'Set frequency
CALL IBWRT(analyzer%,"BAND:RES 300kHz")           'Resolution bandwidth
CALL IBWRT(analyzer%,"SWE:TIME 200US")           'Sweep time

CALL IBWRT(analyzer%,"CALC:MARK:FUNC:SUMM:PPE ON") 'Peak measurement on
CALL IBWRT(analyzer%,"CALC:MARK:FUNC:SUMM:MEAN ON") 'Mean measurement on
CALL IBWRT(analyzer%,"CALC:MARK:FUNC:SUMM:RMS ON") 'RMS measurement on
CALL IBWRT(analyzer%,"CALC:MARK:FUNC:SUMM:SDEV ON") 'Standard deviation on

'----- Perform measurement and query results -----
CALL IBWRT(analyzer%,"INIT;*WAI")                 'Perform sweep with sync

query$ = " CALC:MARK:FUNC:SUMM:PPE:RES?;"         'Query results:
query$ = query$ + " :CALC:MARK:FUNC:SUMM:MEAN:RES?;" 'Peak measurement
query$ = query$ + " :CALC:MARK:FUNC:SUMM:RMS:RES?;" 'Mean measurement
query$ = query$ + " :CALC:MARK:FUNC:SUMM:SDEV:RES?;" 'RMS measurement
Call IBWRT(analyzer%, query$)                    'Standard deviation

CALL IBRD(analyzer%, result$)

Print result$

END SUB

REM *****

```

Fast Power Measurement on Power Ramps

A frequent task in mobile radio tests is measurement of a DUT at various power control levels at the highest possible speed. The FSP offers two test functions for this task, which can be used depending on the signal characteristics.

In the following, the two methods are presented by means of two examples.

Power Measurement with Multi-Summary Marker

The multi-summary marker function is suitable for measuring the power of a sequence of pulses with the following characteristics:

- The pulses occur at identical time intervals, which is typical of GSM transmission in slots, for example.
- The level of the first signal is reliably above threshold.
- The subsequent pulses may have any levels.

The function uses the first pulse as a trigger signal. The power of the subsequent pulses is determined exclusively via the timing pattern selected for the pulse sequence. The function is, therefore, suitable for adjustments where the DUT output power varies considerably and is not reliably above the trigger threshold.

The measurement accuracy is determined by the ratio of pulse duration to total measurement time; this should not be below 1:50.

The function always uses TRACE 1 of the selected screen.

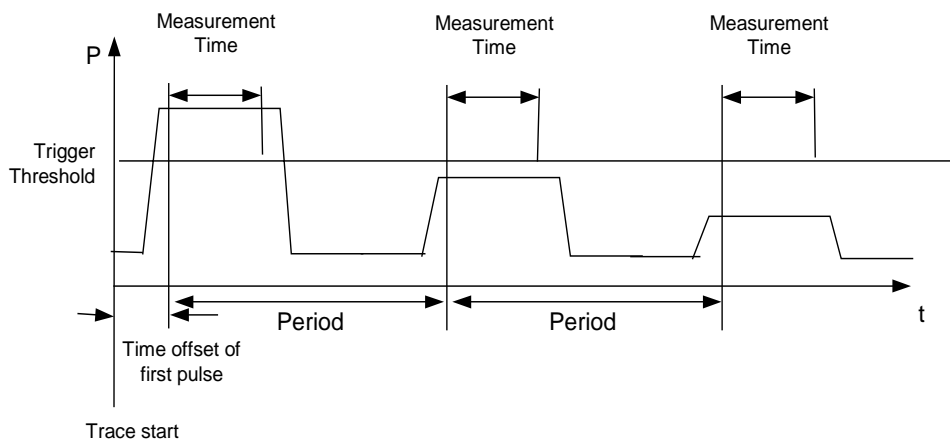


Fig. 7-1 Signal characteristic and timing pattern of signal to be measured.

In the example below, a sequence of 8 pulses is measured with an offset of 50 μs of the first pulse, 450 μs measurement time/pulse and 576.9 μs pulse period.

```

REM *****
Public Sub MultiSumMarker()

result$ = Space$(200)

'----- FSP default setting-----
CALL SetupStatusReg           'Configure status register
CALL IBWRT(analyzer%,"*RST")  'Reset instrument
CALL IBWRT(analyzer%,"INIT:CONT OFF") 'Single sweep mode
CALL IBWRT(analyzer%,"SYST:DISP:UPD ON") 'ON: switch display on
                                           'OFF: switch display off

'----- Configure FSP for power measurement in time domain -----
CALL IBWRT(analyzer%,"FREQ:CENT 935.2MHz;SPAN 0Hz") 'Frequency setting
CALL IBWRT(analyzer%,"DISP:WIND:TRAC:Y:RLEV 10dBm") 'Set reference level
                                           'to 10 dB

CALL IBWRT(analyzer%,"INP:ATT 30 dB") 'Set input attenuation
                                           'to 30 dB

CALL IBWRT(analyzer%,"BAND:RES 1MHz;VID 3MHz") 'Bandwidth setting
CALL IBWRT(analyzer%,"DET RMS") 'Select RMS detector
CALL IBWRT(analyzer%,"TRIG:SOUR VID") 'Trigger source: video
CALL IBWRT(analyzer%,"TRIG:LEV:VID 50 PCT") 'Trigger threshold: 50%
CALL IBWRT(analyzer%,"SWE:TIME 50ms") 'Sweep time ≥ 1 frame

'----- Perform measurement and query results -----
CALL IBWRT(analyzer%,"INIT;*WAI") 'Perform sweep with sync
                                           'Query results:

cmd$ = "CALC:MARK:FUNC:MSUM? "
cmd$ = cmd$ + "50US," 'Offset of first pulse
cmd$ = cmd$ + "450US," 'Measurement time
cmd$ = cmd$ + "576.9US," 'Pulse period
cmd$ = cmd$ + "8" 'Number of bursts
CALL IBWRT(analyzer%,cmd$)
CALL IBRD(analyzer%, result$) 'Read results

Print result$

END SUB
REM *****

```


Multi-Burst Power Measurement

The multi-burst power measurement function is suitable for measuring the power of a sequence of pulses with the following characteristics:

- The pulses occur at variable time intervals.
- The levels of all pulses of the sequence are reliably above the trigger threshold, or an external trigger signal is used.

The function requires one trigger event per pulse. This means that if the video trigger or the IF power trigger is used, the levels of all pulses must be above the trigger threshold.

The function is, therefore, particularly suitable for re-measuring DUTs already adjusted and whose output power is within the specified range. The measurement is optimized for minimum overhead relative to the actual measurement time.

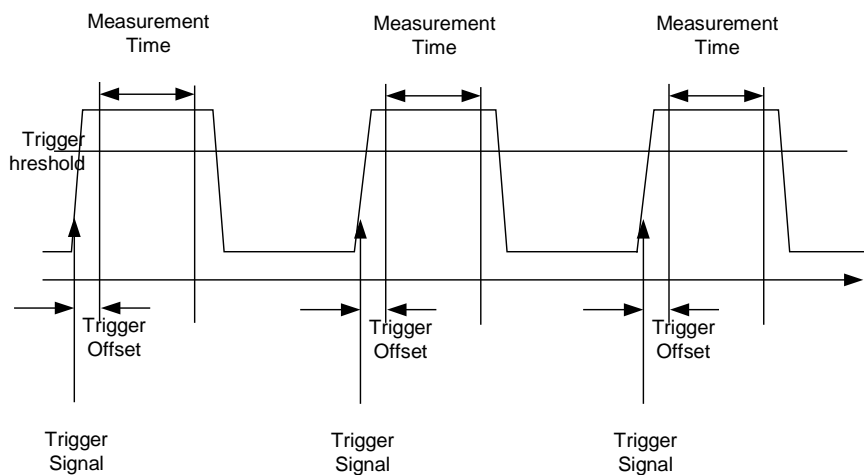


Fig. 7-2 Signal characteristic and timing pattern of signal to be measured.

Either the root-mean-square power or the peak power is measured, depending on whether the RMS detector or the PEAK detector is selected. The function always uses TRACE 1 of the selected screen.

The following parameters are to be set for this measurement:

- Analyzer frequency
- Resolution bandwidth
- Measurement time per single pulse
- Trigger source
- Trigger threshold
- Trigger offset
- Type of power measurement (PEAK, MEAN)
- Number of pulses to be measured

During the measurement, each pulse is mapped into a pixel of the screen, i.e. any change of the trace can be detected only at the left-hand edge of the screen. Maximum measurement speed is as usual achieved with the display switched off.

In the example below, a GSM pulse sequence of 8 pulses is measured with 5 μs trigger offset, 434 μs measurement time/pulse, video trigger with 50% trigger threshold, and peak detection:

```
REM *****
Public Sub MultiBurstPower()

result$ = Space$(200)

'----- FSP default setting -----
CALL SetupStatusReg           'Configure status register
CALL IBWRT(analyzer%,"*RST")  'Reset instrument
CALL IBWRT(analyzer%,"INIT:CONT OFF") 'Single sweep mode
CALL IBWRT(analyzer%,"SYST:DISP:UPD OFF") 'OFF: display off

'----- Perform measurement and query results -----
cmd$ = "MPOW? "
cmd$ = cmd$ + "935.2 MHZ,"      'Center frequency
cmd$ = cmd$ + "1MHZ,"          'Resolution bandwidth
cmd$ = cmd$ + "434US,"         'Measurement time
cmd$ = cmd$ + "VID,"           'Trigger source
cmd$ = cmd$ + "50PCT,"         'Trigger threshold
cmd$ = cmd$ + "1US,"           'Trigger offset, must be > 125 ns
cmd$ = cmd$ + "PEAK,"          'Peak detector
cmd$ = cmd$ + "8"              'Number of bursts
CALL IBWRT(analyzer%, cmd$)
CALL IBRD(analyzer%, result$) 'Read results
Print result$

END SUB

REM *****
```

Fast Level Measurement Using Frequency Lists

A typical task for the FSP is power measurement at a number of frequency points, e.g. at multiples of the fundamental (harmonics measurement), or at frequencies defined by a mobile radio standard (e.g. spectrum due to transients at ± 200 kHz, ± 400 kHz, etc about the carrier frequency of a GSM signal). In many cases, different level and/or bandwidth settings are required for the different frequency points to match the channel spacing and meet the requirements of dynamic range.

Especially for this application, the FSP offers a number of remote-control functions (commands available in SENSE:LIST subsystem) that allow level measurement based on a frequency list with different instrument settings assigned to different frequencies. Not only the frequency list can be programmed, but also the measurement types (PEAK, RMS, AVG) to be performed simultaneously can be selected.

The example below describes a harmonics measurement on a dual-band amplifier. The harmonics level in general decreases as the frequency increases. To boost measurement sensitivity, therefore, the reference level is lowered by 10 dB from the third harmonic.

The following settings are used:

Reference level: 10.00 dBm up to 2nd harmonic, 0 dBm from 3rd harmonic
 RF attenuation: 20 dB
 Electronic attenuation: 0 dB
 RBW: 1 MHz
 VBW: 3 MHz
 Filter type: NORMal
 Measurement time: 300 μ s
 Trigger delay: 100 μ s
 Trigger: video, 45 %

Frequency	Type
935.2 MHz	GSM 900 fundamental
1805.2 MHz	GSM 1800 fundamental
1870.4 MHz	GSM 900 2nd harmonic
2805.6 MHz	GSM 900 3rd harmonic
3610.4 MHz	GSM 1800 2nd harmonic
3740.8 MHz	GSM 900 4th harmonic
5815.6 MHz	GSM 1800 3rd Harmonic

The frequencies are selected in ascending order to minimize system-inherent waiting times resulting from frequency changes.

At each frequency point the peak power and the rms power are measured. The peak power and the rms power values are stored alternately in the results memory.

```

REM *****
Public Sub FrequencyList()

result$ = Space$(500)

'----- FSP default setting -----
CALL SetupStatusReg           'Configure status register
CALL IBWRT(analyzer%,"*RST")  'Reset instrument
CALL IBWRT(analyzer%,"INIT:CONT OFF") 'Single sweep mode
CALL IBWRT(analyzer%,"SYST:DISP:UPD OFF") 'Display off

'-----Configure FSP for power measurement based on frequency list -----
Call IBWRT(analyzer%,"TRIG:LEV:VID 45PCT") 'Video trigger threshold
Call IBWRT(analyzer%,"LIST:POWER:SET ON,ON,OFF,VID,POS,100us,0")

'----- Perform measurement and query results -----
cmd$ = "LIST:POWER? "
cmd$ = cmd$ + "935.2MHZ,10dBm,20dB,OFF,NORM,1MHz,3MHz,300us,0,"
cmd$ = cmd$ + "1805.2MHZ,10dBm,20dB,OFF,NORM,1MHz,3MHz,300us,0,"
cmd$ = cmd$ + "1870.4MHZ,10dBm,20dB,OFF,NORM,1MHz,3MHz,300us,0,"
cmd$ = cmd$ + "2805.6MHZ,0dBm,20dB,OFF,NORM,1MHz,3MHz,300us,0,"
cmd$ = cmd$ + "3610.4MHZ,10dBm,20dB,OFF,NORM,1MHz,3MHz,300us,0,"
cmd$ = cmd$ + "3740.8MHZ,0dBm,20dB,OFF,NORM,1MHz,3MHz,300us,0,"
cmd$ = cmd$ + "5815.6MHz,0dBm,20dB,OFF,NORM,1MHz,3MHz,300us,0"
Call IBWRT(analyzer%, cmd$)
Call IBRD(analyzer%, result$)
Print result$

END SUB
REM *****

```

Level Correction of Transducers (Definition of Transducer Factors)

In more complex test systems, the frequency response of the test setup must be taken into account in all power measurements to avoid any measurement errors being introduced from sources other than the DUT.

The FSP offers the possibility of defining a frequency-dependent attenuation correction factor (transducer factor).

In the example below, a factor with the following characteristics is defined:

Name: Transtest
 Unit: dB
 Scaling: lin
 Comment: simulated cable correction

Frequency	Level
10 MHz	0 dB
100 MHz	3 dB
1 GHz	7 dB
3 GHz	10 dB

The factor is defined and can be activated as required.

```

REM *****
Public Sub TransducerFactor()

'----- Define transducer factor -----
CALL IBWRT(analyzer%,"CORR:TRAN:SEL 'TRANSTEST'")
                                     'Define "Transtest"
                                     'transducer factor

CALL IBWRT(analyzer%,"CORR:TRAN:UNIT 'DB'") 'Unit 'dB'
CALL IBWRT(analyzer%,"CORR:TRAN:SCAL LIN") 'Linear frequency axis
CALL IBWRT(analyzer%,"CORR:TRAN:COMM 'Simulated cable correction'")

cmd$ = "CORR:TRAN:DATA "           'Enter frequency and level
cmd$ = cmd$ + "10MHz, 0,"          'values. Level values without
cmd$ = cmd$ + "100MHz, 3,"        'unit!
cmd$ = cmd$ + "1GHz, 7,"
cmd$ = cmd$ + "3GHz, 10"

CALL IBWRT(analyzer%,cmd$)         'Enter frequency and level values

'----- Activate transducer -----
CALL IBWRT(analyzer%,"CORR:TRAN:STAT ON") 'Activate transducer factor

END SUB
REM *****

```

Reading Trace Data

In the following example, the trace data recorded together at the default setting is read out and displayed on the screen in the form of a list. Reading is performed consecutively in the binary format and in the ASCII format, at span > 0 and also at span = 0.

In the binary format the message header is evaluated with the length information and used to calculate the x axis values.

In the ASCII format only the list of level values is output.

The binary data is read out in 3 steps:

1. Reading the number of digits of the length information
2. Reading the length information
3. Reading trace data

This procedure is necessary with programming languages that support only structures with similar data types (arrays) (such as Visual Basic) since the data types of header and data differ in binary data.

Note: *The trace data arrays are dimensioned in such a way that they can accommodate the trace data of the FSP (501 points).*

```

REM *****
Public Sub ReadTrace()

'----- Define variables -----
Dim traceData(1250) As Single           'Buffer for floating point
                                        'binary data
Dim digits As Byte                      'Number of digits of
                                        'length information
Dim traceBytes As Integer               'Length of trace data in bytes
Dim traceValues As Integer              'Number of values in buffer
asciiResult$ = Space$(25000)           'Buffer for ASCII trace data
result$ = Space$(100)                   'Buffer for simple results
startFreq$ = Space$(100)                'Buffer for start frequency
span$ = Space$(100)                     'Buffer for span

'----- FSP default setting -----
CALL SetupInstrument                     'Default setting
CALL IBWRT(analyzer%,"INIT:CONT OFF")    'Single sweep
CALL IBWRT(analyzer%,"INIT;*WAI")        'Perform sweep with sync

'----- Define span for read out -----
Call ibwrt(analyzer%,"FREQ:START?")      'Read out start frequency
Call ibrd(analyzer%,startFreq$)
startFreq = Val(startFreq$)

Call ibwrt(analyzer%,"FREQ:SPAN?")       'Read out span
Call ibrd(analyzer%,span$)
span = Val(span$)

```

```

'----- Read out in binary format -----
Call ibwrt(analyzer%, "FORMAT REAL,32")      'Select binary format
Call ibwrt(analyzer%, "TRAC1? TRACE1")      'Read out trace 1
Call ilrd(analyzer%, result$, 2)            'Read out and store
digits = Val(Mid$(result$, 2, 1))          'number of digits of
                                           'length information
result$ = Space$(100)                       'Initialize buffer again
Call ilrd(analyzer%, result$, digits)        'Read out
traceBytes = Val(Left$(result$, digits))    'and store length information
Call ibrd32(analyzer%, traceData(0), traceBytes) 'Read trace data into buffer
Call ilrd(analyzer%, result$, 1)           'Read the terminator <NL>
'----- Read out binary data as pairs of frequency/level values -----
traceValues = traceBytes/4                  'Single precision = 4 bytes
stepsize = span/traceValues                 'Calculate frequency step width
For i = 0 To traceValues - 1
    Print "Value["; i; "] = "; startFreq+stepsize*i; ", "; traceData(i)
Next i
'----- Time domain default setting -----
Call ibwrt(analyzer%, "FREQ:SPAN 0Hz")      Switchover to time domain
CALL IBWRT(analyzer%, "INIT;*WAI")          'Perform sweep with sync
'----- Read out in ASCII format -----
Call ibwrt(analyzer%, "FORMAT ASCII")       'Select ASCII format
CALL ibwrt(analyzer%, "TRAC1? TRACE1")     'Read out Trace 1
CALL ibrd(analyzer%, asciiResult$)
Print "Contents of Trace1: ",asciiResult$   'Output
END SUB
REM *****

```

Measuring the Magnitude and Phase of a Signal (I/Q Data Acquisition)

Due to the FSP's internal architecture, it is capable of measuring and outputting the magnitude and phase of a signal in addition to its power values. This opens up a variety of possibilities for more in-depth analysis (FFT, demodulation, etc).

Fig. 7-3 shows the hardware of the analyzer from the IF section to the processor. The IF filter is the resolution filter of the spectrum analyzer with bandwidths selectable from 300 kHz to 10 MHz. The A/D converter samples the IF signal (20.4 MHz) at a rate of 32 MHz.

The digital signal is down-converted to the complex baseband, lowpass-filtered, and the sampling rate is reduced, i.e. the output sampling rate is set between 15.625 kHz and 32 MHz by dividing the original sampling rate by powers of 2. This avoids unnecessary oversampling at narrower bandwidths, which saves processing time and increases the maximum recording time.

The I/Q data is written to separate memories of 128 k words each. The memories are hardware-triggered.

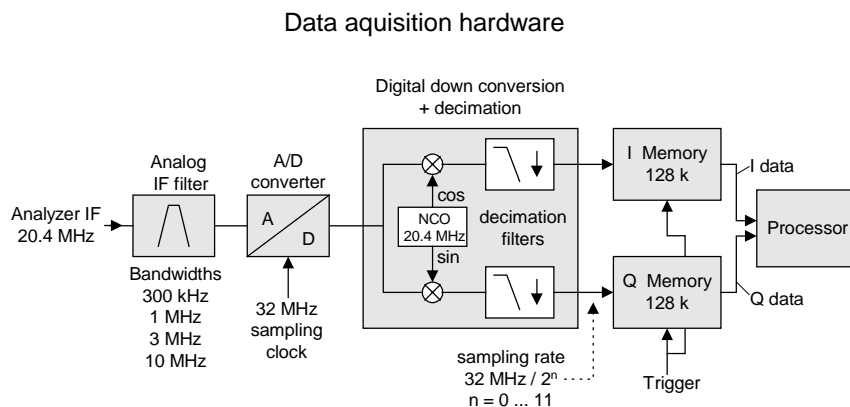


Fig. 7-3 Block diagram illustrating signal processing in the analyzer

The following maximum bandwidths are possible in this measurement depending on the selected sampling rate:

Sampling rate	Max. bandwidth	Remarks
32 MHz	9.6 MHz	
16 MHz	7.72 MHz	
8 MHz	4.8 MHz	Signals outside the specified bandwidth may be deconvoluted to the useful band due to the characteristics of the anti-aliasing filter.
4 MHz	2.8 MHz	
2 MHz	1.6 MHz	
1 MHz	800 kHz	
500 kHz	400 kHz	
250 kHz	200 kHz	
125 kHz	100 kHz	
62.5 kHz	50 kHz	
31.25 kHz	25 kHz	
15.625 kHz	12.5 kHz	

Due to the instrument's sampling concept (21.4 MHz IF, 32 MHz sampling rate), the image frequency is band-limited only by the analog 10 MHz filter. For an input signal at the limit of the 10 MHz band

(+ 5 MHz above center frequency), an image-frequency signal 800 kHz above the input signal would be obtained.

The image frequency in MHz is calculated as follows:

$$f_{\text{image}} = 2 \cdot (f_{\text{center}} + 5.4 \text{ MHz}) - f_{\text{signal}}$$

where

f_{image} = image frequency in MHz

f_{center} = center frequency in MHz

f_{signal} = frequency in MHz of signal measured

For correct measurements, the RF input signal must be band-limited. Signals spaced more than 5.4 MHz from the center frequency are reflected into the passband of the 10 MHz filter.

Analog prefilters (bandwidth ≥ 300 kHz) are available to provide additional band-limiting of the signal measured.

The following example shows the steps necessary to collect data at a predefined sampling rate and read it from the I/Q memory.

Data is output in the form of voltage values referred to the analyzer input. Data can be read in binary or ASCII format.

In binary format, the length information carried in the message header is evaluated and used for calculating the x axis values.

In ASCII format, only a list of voltage values is output.

Binary data is read in three steps:

1. The number of digits carrying the length information is read.
2. The length information itself is read.
3. The trace data is read.

This procedure is necessary with programming languages like Visual Basic which support only structures of identical data types (arrays), whereas the binary data format uses different data types in the header and the data section.

Note: *The arrays for measured data are dimensioned in such a way that they can accommodate the I/Q data of the FSP (2 * 128 k * 4 byte).*

```

REM *****
Public Sub ReadIQData()

'----- Define variables -----
Dim IData(131072) As Single           'Buffer for floating-point
                                      'I data (= 32*1024 byte)
Dim QData(131072) As Single           'Buffer for floating-point
                                      'Q data (= 128*1024 byte)
Dim digits As Byte                    'Number of digits of
                                      'length information
Dim IQBytes As Long                   'Length of trace data in byte
Dim IQValues As Long                  'Number of measured values
                                      'in buffer

asciiResult$ = Space$(6553600)        'Buffer for ASCII I/Q data
                                      '(= 25*2*1024 byte)

'----- FSP default setting -----
CALL SetupInstrument                  'Default setting
CALL IBWRT(analyzer%,"TRAC:IQ:STAT ON") 'Activate I/Q data acquisition
                                      'mode; this must be done
                                      'before TRAC:IQ:SET!

'Select max. number of test points (= 128 * 1024 - 512) at 10 MHz RBW,
'S32 MHz sampling rate, free run trigger, pos. trigger edge and 0 s trigger
'delay.
CALL IBWRT(analyzer%,"TRAC:IQ:SET NORM,10MHz,32MHz,IMM,POS,0,130560")

'----- Read data in binary format -----
Call ibwrt(analyzer%, "FORMAT REAL,32") 'Select binary format
Call ibwrt(analyzer%, "TRAC:IQ:DATA?") 'Measure and read I/Q data
Call ilrd(analyzer%, result$, 2)        'Read and store number of
digits = Val(Mid$(result$, 2, 1))       'digits of length information
result$ = Space$(100)                   'Re-initialize buffer
Call ilrd(analyzer%, result$, digits)    'Read and store
IQBytes = Val(Left$(result$, digits))    'length information
IQBytes = IQBytes / 2                    'Halve number of bytes
                                      'per buffer

Call ibrd32(analyzer%, IData(0), IQBytes) 'Read I data into buffer
Call ibrd32(analyzer%, QData(0), IQBytes) 'Read Q data into buffer
Call ilrd(analyzer%, result$, 1)       'Read delimiter <NL>

'----- Output binary data as frequency/level pairs -----
IQValues = IQBytes/4                     'Single precision = 4 bytes
For i = 0 To IQValues - 1
    Print "I-Value["; i; "] = "; IData(i)
    Print "Q-Value["; i; "] = "; QData(i)
Next i

'----- Read data in ASCII format -----
Call ibwrt(analyzer%,"FORMAT ASCII")    'Select ASCII format
Call ibwrt(analyzer%, "TRAC:IQ:DATA?") 'Re-measure and read I/Q data
CALL ibrd(analyzer%, asciiResult$)
CALL IBWRT(analyzer%,"TRAC:IQ:STAT OFF") 'De-activate I/Q data
                                      'acquisition mode if no
                                      'further measurements are
                                      'to be performed

END SUB
REM *****

```

Averaging I/Q Data

The FSP has averaging capability also for I/Q measurements, i.e. I/Q data can be averaged over several test runs. This is subject to the following conditions:

1. An external trigger signal must be available for data measurement, and the trigger signal must be phase-locked to the signal measured.
2. The same reference-frequency signal must be used for the DUT and the FSP.
3. The sampling rate must be 32 MHz, since only with this sampling frequency will the measurement be performed phase-synchronous with the trigger signal.

If all of the above conditions are fulfilled, no phase shift will occur between consecutive test runs. Phase shift may invalidate the measured average so that in extreme cases a value of 0 is obtained.

The default setting of the instrument for data measurement without averaging has to be changed as follows:

```
'----- FSP default setting -----
CALL SetupInstrument           'Default setting
CALL IBWRT(analyzer%,"TRAC:IQ:STAT ON")  'Activate I/Q data acquisition
                                         'mode; this must be
                                         'done before TRAC:IQ:SET!

'Select max. number of test points (= 128 * 1024 - 512) at 10 MHz RBW,
'S32 MHz sampling rate, external trigger, pos. trigger edge and 0 s trigger
'delay.

CALL IBWRT(analyzer%,"TRAC:IQ:SET NORM,10MHz,32MHz,EXT,POS,0,130560")
CALL IBWRT(analyzer%,"TRAC:IQ:AVER ON")    'Switch on I/Q averaging
CALL IBWRT(analyzer%,"TRAC:IQ:AVER:COUN 10") 'Set 10 test runs
'----- Read data in binary format -----
...

```

Storing and Loading Device Settings

Storing Instrument Settings

In the following example, the settings/measurement data to be stored are determined; only the hardware settings are stored. The selection commands for the other settings are indicated with the status OFF for the sake of completeness.

```

REM *****
Public Sub StoreSettings()

'----- FSP default setting -----
' This subroutine selects the settings to be stored and creates
' the data set "TEST1" in directory D:\USER\DATA. It uses
' the default setting and resets the instrument after storage
' of the setting.

'----- Select items to be stored -----
Call SetupInstrument
CALL IBWRT(analyzer%,"INIT:CONT OFF")           'Single sweep
CALL IBWRT(analyzer%,"INIT;*WAI")             'Perform sweep with sync

'----- Define comment -----
CALL IBWRT(analyzer%,"MMEM:SEL:HWS ON")        'Save hardware settings
CALL IBWRT(analyzer%,"MMEM:SEL:TRAC OFF")     'No storing of traces
CALL IBWRT(analyzer%,"MMEM:SEL:LIN:ALL OFF")  'Save only active limit lines

'----- Store selected items -----
CALL IBWRT(analyzer%,"MMEM:STOR:STAT 1,'D:\USER\DATA\TEST1'")

'----- Reset instrument -----
CALL IBWRT(analyzer%,"*RST")

END SUB
REM *****

```

Loading Device Settings

In the following example, data set TEST1 stored under D:\USER\DATA is reloaded into the instrument:

```

REM *****
Public Sub LoadSettings()

  'This subroutine loads data set "TEST1" in directory D:\USER\DATA.
  '----- Default setting of status register -----
  Call SetupStatusReg           'Configure status register
  '----- Load data set -----
  CALL IBWRT(analyzer%,"MMEM:LOAD:STAT 1,'D:\USER\DATA\TEST1'")
  '----Start measurement using the data set loaded -----
  CALL IBWRT(analyzer%,"DISP:TRAC1:MODE WRITE") 'Set trace to Clr/Write
  CALL IBWRT(analyzer%,"INIT;*WAI")           'Start the sweep
END SUB
REM *****

```

Setting the Data Set for Startup Recall

In the following example, the FSP is first reset. Then the data set TEST1 stored under D:\USER\DATA is selected for the STARTUP RECALL function, i.e. the data set is set for every *RST, PRESET and every device startup. For illustration, the command *RST is executed again.

```

REM *****
Public Sub StartupRecallSettings()
  '----- Reset FSP -----
  CALL IBWRT(analyzer%,"*RST")
  '----- Default setting of status register -----
  Call SetupStatusReg           'Configure status register
  '----- Select startup recall data set-----
  CALL IBWRT(analyzer%,"MMEM:LOAD:AUTO 1,'D:\USER\DATA\TEST1'")
  '----- Activate startup recall data set -----
  CALL IBWRT(analyzer%,"*RST")
END SUB
REM *****

```

Reading and Writing Files

Reading a File from the Instrument

In the following example, file TEST1.SET stored under D:\USER\DATA is read from the instrument and stored in the controller.

```

REM *****
Public Sub ReadFile()
'----- Generate variables -----
Dim digits As Byte           'Number of digits of
                             'length information
Dim fileBytes As Long       'Length of file with trace data
                             'in bytes
result$ = Space$(100)       'Buffer for simple results
'----- Default setting of status register -----
Call SetupStatusReg         'Configure status register
'----- Read out file -----
Call ibwrt(analyzer%, "MMEM:DATA? 'D:\USER\DATA\TEST1.SET'")
                             'Select file
Call ilrd(analyzer%, result$, 2) 'Read and store number of
digits = Val(Mid$(result$, 2, 1)) 'digits of length information
Call ilrd(analyzer%, result$, digits) 'Read and store length
fileBytes = Val(Left$(result$, digits)) 'information
FileBuffer$ = Space$(fileBytes) 'Buffer for file
Call ilrd(analyzer%, FileBuffer, fileBytes) 'Read file into buffer
Call ilrd(analyzer%, result$, 1) 'Read terminator <NL>
'----- Store file to controller -----
Open "TEST1.SET" For Output As #1
Print #1, FileBuffer;       ' ; to avoid linefeed at
                             ' end of file

Close #1
END SUB
REM *****

```

Creating a File on the Instrument

In the following example, the TEST1.SET file available on the controller is stored in the instrument under D:\USER\DATA\DUPLICAT.SET.

```

REM *****
Public Sub WriteFile()
  '----- Generate variables -----
  FileBuffer$ = Space$(100000)           'Buffer for file
  Dim digits As Long                     'Number of digits of
                                          'length information
  Dim fileBytes As Long                  'Length of file in bytes
  fileSize$ = Space$(100)               'Length of file as a string
  result$ = Space$(100)                  'Buffer for simple results

  '----- Default setting of status register -----
  Call SetupStatusReg                    'Configure status register

  '----- Prepare the definite length block data -----
  fileBytes = FileLen("H:\work\vb\test1.set") 'Determine length of file
  fileSize$ = Str$(fileBytes)
  digits = Len(fileSize$) - 1            'Determine number of digits of
  fileSize$ = Right$(fileSize$, digits) 'length information
  FileBuffer$ = "#" + Right$(Str$(digits), 1) + fileSize$
                                          'Store length information in
                                          'file buffer

  '----- Read file from controller -----
  Open "H:\work\vb\TEST1.SET" For Binary As #1
  FileBuffer$ = FileBuffer$ + Left$(Input(fileBytes, #1), fileBytes)
  Close #1

  '----- Write file -----
  -
  Call ibwrt(analyzer%, "SYST:COMM:GPIB:RTER EOI") 'Set receive
                                                    'terminator on the
                                                    'instrument

  Call ibwrt(analyzer%, "MMEM:DATA 'D:\USER\DATA\DUPLICAT.SET'," +
              FileBuffer$) 'Select file

END SUB
REM *****

```

Configuring and Starting a Printout

The following example shows the configuration of the output format and output device for printing out the measurement screen.

Proceed in the following order:

1. Set the measurement required for the printout
2. Query available output devices
3. Select an output device
4. Select the output interface
5. Configure the output format
6. Start printout with synchronization to the end

It is assumed that the setting required is a signal with a power of -20 dBm at 100 MHz and that the printer required is the No. 6 of the printers available. The data is first output on the selected printer, then to a file.

```

REM *****
Public Sub HCopy()

DIM Devices(100) as string           'Buffer for printer name
FOR i = 0 TO 49
    Devices$(i) = Space$(50)        'Preallocate buffer for
                                    'printer name
NEXT i

'----- FSP default setting -----
CALL SetupStatusReg                 'Configure status register
CALL IBWRT(analyzer%,"*RST")        'Reset instrument
CALL IBWRT(analyzer%,"INIT:CONT OFF") 'Single sweep
CALL IBWRT(analyzer%,"SYST:DISP:UPD ON") 'Display on

'----- Configure measurement -----
CALL IBWRT(analyzer%,"FREQ:CENT 100MHz;SPAN 10MHz") 'Set frequency
CALL IBWRT(analyzer%,"DISP:WIND:TRAC:Y:RLEV -10dBm") 'Reference level
CALL IBWRT(analyzer%,"INIT;*WAI") 'Perform measurement

'----- Query regarding available output devices -----
CALL IBWRT(analyzer%,"SYST:COMM:PRIN:ENUM:FIRST?") 'Read out first output
CALL IBRD(analyzer%,Devices$(0)) 'device and indicate
PRINT "Drucker 0: "+Devices$(0) 'name

For i = 1 to 99
    CALL IBWRT(analyzer%,"SYST:COMM:PRIN:ENUM:NEXT?") 'Read out the next
    CALL IBRD(analyzer%,Devices$(i)) 'printer name
    IF Left$(Devices$(i),2) = "" THEN GOTO SelectDevice 'Abort at end of
                                                'list

    PRINT "Drucker"+Str$(i)+" : " Devices$(i) 'Indicate printer name
NEXT i

```


SelectDevice:

```
'----- Select device, printer language and output interface -----
CALL IBWRT(analyzer%,"SYST:COMM:PRIN:SEL "+ Devices(6))'Select printer #6
8 CALL IBWRT(analyzer%,"HCOP:DEST 'SYST:COMM:PRIN'") 'Configuration:
' "Output to
' printer interface"

CALL IBWRT(analyzer%,"HCOP:DEV:LANG GDI") 'Output language 'GDI'
'----- Select orientation (portrait/landscape) and colour/BW -----
CALL IBWRT(analyzer%,"HCOP:PAGE:ORI PORTRait") 'Portrait
CALL IBWRT(analyzer%,"HCOP:DEV:COL OFF") 'Black and white
'----- Configure and start print out -----
CALL IBWRT (analyzer%,"HCOP:ITEM:ALL") 'Select complete screen
'CALL IBWRT (analyzer%,"HCOP:ITEM:WIND1:TRAC:STAT ON") 'alternative: only
'CALL IBWRT (analyzer%,"HCOP:ITEM:WIND2:TRAC:STAT ON") 'traces in
' screen A/B

CALL IBWRT (analyzer%,"*CLS") 'Reset status registers
CALL IBWRT (analyzer%,"HCOP:IMMediate;*OPC") 'Start print out

CALL WaitSRQ(boardID%,result%) 'Wait for service request
IF (result% = 1) THEN CALL Srq 'If SRQ is recognized =>
' Subroutine for evaluation

'---- Print out into file in WMF format (BMP format) -----
CALL IBWRT(analyzer%,"HCOP:DEST 'MMEM' ") 'Configuration:
' "Print to file"

CALL IBWRT(analyzer%,"HCOP:DEV:LANG WMF") 'File format WMF
'CALL IBWRT(analyzer%,"HCOP:DEV:LANG BMP") 'File format BMP

CALL IBWRT(analyzer%,"MMEM:NAME 'D:\USER\DATA\PRINT1.WMF' ") 'Determine
' file name

CALL IBWRT (analyzer%,"*CLS") 'Reset status registers
CALL IBWRT (analyzer%,"HCOP:IMMediate;*OPC") 'Start print out

CALL WaitSRQ(boardID%,result%) 'Wait for service request
IF (result% = 1) THEN CALL Srq 'If SRQ is recognized =>
' Subroutines for evaluation

END SUB

REM *****
```


Contents - Chapter 8 "Maintenance and Instrument Interfaces"

8 Maintenance and Instrument Interfaces	8.1
Maintenance	8.1
Mechanical and Electrical Maintenance	8.1
Storing and Packing.....	8.1
List of Power Cables Available	8.1
Instrument Interfaces	8.2
AF Output	8.2
Probe Connector (PROBE POWER).....	8.2
External Keyboard (KEYBOARD)	8.2
IEC Bus Interface	8.3
Interface Characteristics.....	8.3
Bus Lines 8.3	
Interface Functions	8.4
IEC Bus Messages.....	8.4
Interface Messages	8.5
Instrument Messages	8.5
Printer Interface (LPT)	8.6
RS-232-C Interface (COM).....	8.7
Interface Characteristics.....	8.7
Signal Lines	8.7
Transmission Parameters	8.8
Control Characters	8.9
Handshake	8.9
Monitor Connector (MONITOR).....	8.10
Noise Source Control (NOISE SOURCE)	8.10
External Trigger Input (EXT TRIG/GATE)	8.11
Mouse Connector (MOUSE).....	8.11
Reference Output/Input (REF IN and REF OUT)	8.11
IF Output 20.4 MHz (20.4 MHz OUT)	8.11
CCVS Input and Output (CCVS IN/OUT, Option FSP-B6)	8.11

8 Maintenance and Instrument Interfaces

The FSP following chapter contains information on the maintenance of the FSP and on the instrument interfaces.

Please follow the instructions in the service manual when exchanging modules or ordering spares. The order no. for spare parts can be found in the service manual.

The address of our support center and a list of all Rohde & Schwarz service centers can be found at the beginning of this manual.

The service manual includes further information particularly on troubleshooting, repair, exchange of modules (including battery exchange, adjustment of the OCXO oscillator) and calibration.

Maintenance

Mechanical and Electrical Maintenance

The FSP does not require any special maintenance. Remove any contamination on the instrument by means of a soft cloth. Make sure that the air vents are not obstructed.

Storing and Packing

The FSP can be stored at a temperature of -5°C to $+60^{\circ}\text{C}$. When stored for an extended period of time the instrument should be protected against dust.

The original packing should be used, particularly the protective covers at the front and rear, when the instrument is to be transported or dispatched. If the original packing is no longer available, use a sturdy cardboard box of suitable size and carefully wrap the instrument to protect it against mechanical damage.

List of Power Cables Available

Table 8-1 List of power cables available

Stock No.	Earthed-contact connector	Preferably used in
DS 006.7013	BS1363: 1967' complying with IEC 83: 1975 standard B2	Great Britain
DS 006.7020	Type 12 complying with SEV-regulation 1011.1059, standard sheet S 24 507	Switzerland
DS 006.7036	Type 498/13 complying with US-regulation UL 498, or with IEC 83	USA/Canada
DS 006.7107	Type SAA3 10 A, 250 V, complying with AS C112-1964 Ap.	Australia
DS 0025.2365 DS 0099.1456	DIN 49 441, 10 A, 250 V, angular DIN 49 441, 10 A, 250 V, straight	Europe (except Switzerland)

Instrument Interfaces

AF Output

A miniature telephone jack can be used at the AF OUTPUT connector to connect an external loudspeaker, a headphone set or, e.g., a LF voltmeter. The internal resistance is 10 ohms and the output voltage can be controlled with the volume controller on the left side to the connector. When a jack is plugged in, the internal loudspeaker is automatically turned off.

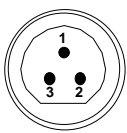


The connector is only available with option FSP-B3, AF demodulator.

Probe Connector (PROBE POWER)

To allow the connection of probes, the FSP provides the PROBE POWER power connector. It delivers the power supply voltages +15 V and -12,6 V and ground.

The connector is also suited for powering the high-impedance probes from Hewlett Packard.

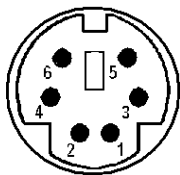


Pin	Signal
1	GND
2	-12.6 V; max 150 mA
3	+15 V; max 150 mA

Fig. 8-1 Pin assignments of PROBE POWER connector

External Keyboard (KEYBOARD)

A 6-pin PS/2 connector is provided on the front panel to allow connecting an external keyboard. The PSP-Z1 keyboard (Order No. 1091.4000.02, German) or the PSP-Z2 (Order No. 1091.4100.02, English) is recommended (Order No. 1009.5001.31). Also they include a trackball for mouse control. However, any other multifunction keyboard may also be used.



Pin	Signal
1	KEYBOARDDATA
2	MOUSEDATA
3	GND
4	5V, KEYBOARD
5	KEYBOARDCLK
6	MOUSECLK

Fig 8-2 Pin assignments of the KEYBOARD connector.

IEC Bus Interface

The standard instrument is equipped with an IEC/IEEE Bus connector. An IEEE 488 interface connector is located on the rear panel of the FSP. An external controller for remote control of the instrument can be connected via the IEEE 488 interface connector using a shielded cable.

Interface Characteristics

- 8-bit parallel data transfer
- bi-directional data transfer
- three-line handshake
- high data transfer rate of max. 350 kbyte/s
- up to 15 instruments can be connected
- maximal length of the interconnecting cables 15 m (single connection, 2m)
- wired-OR connection if several instruments are connected in parallel.

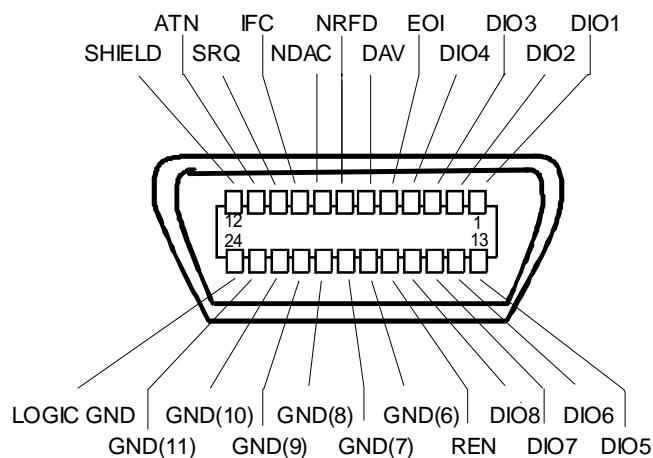


Fig. 8-3 Pin assignment of IEC-Bus interface

Bus Lines

1. Data bus with 8 lines DIO 1 to DIO 8.

The transmission is bit-parallel and byte-serial in the ASCII/ISO code. DIO1 is the least significant, DIO8 the most significant bit.

2. Control bus with 5 lines.

IFC (Interface Clear),

active low resets the interfaces of the devices connected to the default setting.

ATN (Attention),

active low signals the transmission of interface messages
inactive high signals the transmission of device messages.

SRQ (Service Request),

active low enables a device connected to send a service request to the controller.

REN (Remote Enable),

active low permits the switch over to remote control.

EOI (End or Identify),

has two functions in connection with ATN:

active low marks the end of data transmission when ATN=high

active low triggers a parallel poll when ATN=low.

3. Handshake bus with three lines.

DAV (Data Valid),

active low signals a valid data byte on the data bus.

NRFD (Not Ready For Data),

active low signals that one of the devices connected is not ready for data transfer .

NDAC (Not Data Accepted),

active low as long as the device connected is accepting the data present on the data bus.

Interface Functions

Instruments which can be remote controlled via the IEC bus can be equipped with different interface functions. Table 8-2 lists the interface functions appropriate for the instrument.

Table 8-2 Interface functions

Control character	Interface function
SH1	Handshake source function (source handshake), full capability
AH1	Handshake sink function (acceptor handshake), full capability
L4	Listener function, full capability, unaddress if MTA.
T6	Talker function, full capability, ability to respond to serial poll, unaddress if MLA
SR1	Service request function (Service Request), full capability
PP1	Parallel poll function, full capability
RL1	Remote/Local switch over function, full capability
DC1	Reset function (Device Clear), full capability
DT1	Trigger function (Device Trigger), full capability
C0	No controller function

IEC Bus Messages

The messages transferred via the data lines of the IEC bus can be divided into two groups:

- **interface messages** and
- **instrument messages.**

Interface Messages

Interface messages are transferred on the data lines of the IEC Bus when the "ATN" control line is active (LOW). They are used for communication between controller and instruments and can only be sent by the controller which currently has control of the IEC Bus.

Universal Commands

The universal commands are encoded 10 - 1F hex. They affect all instruments connected to the bus without addressing.

Table 8-3 Universal Commands

Command	QuickBASIC command	Effect on the instrument
DCL (Device Clear)	IBCMD (controller%, CHR\$(20))	Aborts the processing of the commands just received and sets the command processing software to a defined initial state. Does not change the instrument settings.
IFC (Interface Clear)	IBSIC (controller%)	Resets the interfaces to the default setting.
LLO (Local Lockout)	IBCMD (controller%, CHR\$(17))	The LOC/IEC ADDR key is disabled.
SPE (Serial Poll Enable)	IBCMD (controller%, CHR\$(24))	Ready for serial poll.
SPD (Serial Poll Disable)	IBCMD (controller%, CHR\$(25))	End of serial poll.
PPU (Parallel Poll Unconfigure)	IBCMD (controller%, CHR\$(21))	End of the parallel-poll state.

Addressed Commands

The addressed commands are encoded 00 - 0F hex. They are only effective for instruments addressed as listeners.

Table 8-4 Addressed Commands

Command	QuickBASIC command	Effect on the instrument
SDC (Selected Device Clear)	IBCLR (device%)	Aborts the processing of the commands just received and sets the command processing software to a defined initial state. Does not change the instrument setting.
GTL (Go to Local)	IBLOC (device%)	Transition to the "Local" state (manual control).
PPC (Parallel Poll Configure)	IBPPC (device%, data%)	Configure instrument for parallel poll. Additionally, the QuickBASIC command executes PPE/PPD.

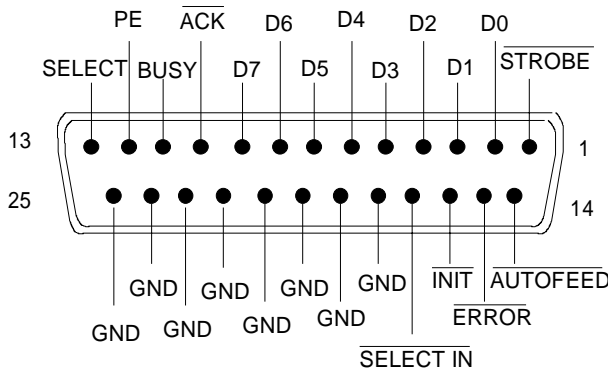
Instrument Messages

Instrument messages are transferred on the data lines of the IEC bus when the "ATN" control line is not active. ASCII code is used.

Structure and syntax of the instrument messages are described in Chapter 5. The commands are listed and explained in detail in Chapter 6.

Printer Interface (LPT)

The 25-pin LPT connector on the rear panel of the Fig. 8-4 is provided for the connection of a printer. The LPT interface is compatible with the CENTRONICS printer interface.



Pin	Signal	Input (I) Output (O)	Description
1	STROBE	O	Pulse for transmitting a data byte, min. 1 μ s pulse width (active LOW)
2	D0	O	Data Line 0
3	D1	O	Data Line 1
4	D2	O	Data Line 2
5	D3	O	Data Line 3
6	D4	O	Data Line 4
7	D5	O	Data Line 5
8	D6	O	Data Line 6
9	D7	O	Data Line 7
10	ACK	I	Indicates that the printer is ready to receive the next byte. (active LOW)
11	BUSY	I	Signal is active when the printer cannot accept data. (active HIGH)
12	PE	I	Signal is active when the paper tray is empty. (active HIGH)
13	SELECT	I	Signal is active when the printer is selected. (active HIGH)
14	AUTOFEED	O	When signal is active, the printer automatically performs a linefeed after each line. (active LOW)
15	ERROR	I	This signal is high when the printer has no paper, is not selected or has an error status. (active LOW)
16	INIT	O	Initialize the printer. (active LOW)
17	SELECT IN	O	If signal is active, the codes DC1/DC3 are ignored by the printer. (active LOW).
18 - 25	GND		Ground connection.

Fig. 8-4 Pin assignments for the LPT connector.

RS-232-C Interface (COM)

The standard FSP is equipped with a serial interfaces (RS-232-C; COM connector at the rear of the instrument). The interface can be set up and activated manually in the *SETUP-GENERAL SETUP* menu in the *COM PORT* table (Selection *OWNER = INSTRUMENT*).

Interface Characteristics

- Serial data transmission in asynchronous mode
- Bi-directional data transfer via two separate lines
- Transmission rate selectable from 110 to 19200 baud
- Logic '0' signal from +3 V to +15 V
- Logic '1' signal from -15 V to -3 V
- An external instrument (controller) can be connected.

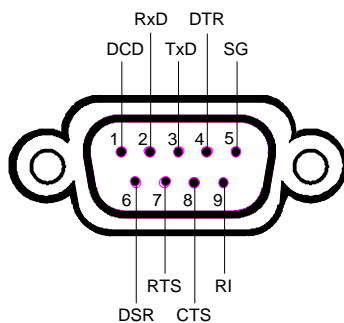


Fig. 8-5 Pin assignment of the RS-232-C interface

Signal Lines

DCD (Data Carrier Detect),

Not used in FSP.

Input; active LOW.

Using this signal, the local terminal recognizes that the modem of the remote station receives valid signals with sufficient level. DCD is used to disable the receiver in the local terminal and prevent reading of false data if the modem cannot interpret the signals of the remote station.

RxD (Receive Data)

Input, LOW = logic '1', HIGH = logic '0'.

Data line, local terminal receives data from remote station.

TxD (Transmit Data)

Output, LOW = logic '1', HIGH = logic '0'.

Data line, local terminal transmits data to remote station.

DTR (Data Terminal Ready),

Output, active LOW,

Indicates that the local terminal is ready to receive data.

GND

Interface ground, connected to instrument ground

DSR (Data Set Ready),
Input, active LOW,
Indicates that the remote station is ready to receive data.

RTS (Request To Send),
Output, active LOW.
Indicates that the local terminal wants to transmit data.

CTS (Clear To Send),
Input, active LOW.
Used to tell the local terminal that the remote station is ready to receive data.

RI (Ring Indicator),
Not used in FSP.
Input, active LOW.
Used by a modem to indicate that a remote station wants to establish a connection.

Transmission Parameters

To ensure error-free data transmission, the parameters of the instrument and the controller must have the same settings. The parameters are defined in the *SETUP-GENERAL SETUP* menu.

Transmission rate (baud rate) the following transmission rates can be set in the instrument:
110, 300, 600, 1200, 2400, 4800, 9600, 19200.

Data bits Data transmission is in 7- or 8-bit ASCII code. The first bit transmitted is the LSB (least significant bit).

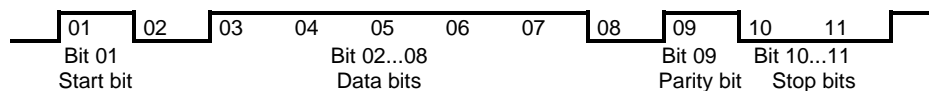
Start bit Each data byte starts with a start bit. The falling edge of the start bit indicates the beginning of the data byte.

Parity bit In order to detect errors, a parity bit may be transmitted. No parity, even parity or odd parity may be selected. In addition, the parity bit can be set to logic '0' or to logic '1'.

Stop bits The transmission of a data byte is terminated by 1, 1.5 or 2 stop bits.

Example:

Transmission of character 'A' (41 hex) in 7-bit ASCII code, with even parity and 2 stop bits:



Control Characters

For interface control, several strings are defined and control characters are reserved which are based upon IEC Bus control.

Table 8-5 Control strings or control characters of the RS-232 interface

Control string or character	Function
'@REM'	Switch over to remote
'@LOC'	Switch over to local
'@SRQ'	Service Request SRQ (SRQ is sent by the instrument)
'@GET'	Group Execute Trigger (GET)
'@DCL'	Reset instrument (Device Clear DCL)
<Ctrl Q> 11 Hex	Enables character output / XON
<Ctrl S> 13 Hex	Inhibits character output / XOFF
0D Hex, 0A Hex	Terminator <CR>, <LF>

Handshake

Software handshake

In the software handshake mode of operation, the data transfer is controlled using the two control characters XON / XOFF.

The instrument uses the control character XON to indicate that it is ready to receive data. If the receive buffer is full, it sends the XOFF character via the interface to the controller. The controller then interrupts the data output until it receives another XON from the instrument. The controller indicates to the instrument that it is ready to receive data in the same way.

Cable required for software handshake

The connection of the instrument with a controller for software handshake is made by crossing the data lines. The following wiring diagram applies to a controller with a 9-pin or 25-pin configuration.

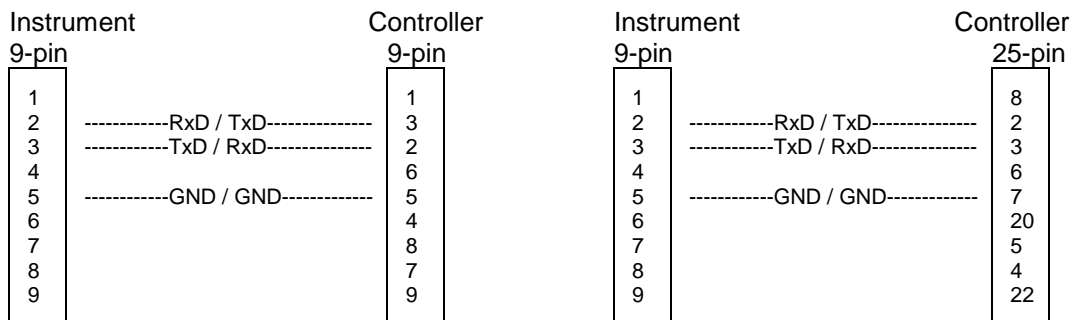


Fig. 8-1 Wiring of the data lines for software handshake

Hardware handshake

For hardware handshake, the instrument indicates that it is ready to receive data via the lines DTR and RTS. A logic '0' on both lines means 'ready' and a logic '1' means 'not ready'. The RTS line is always active (logic '0') as long as the serial interface is switched on. The DTR line thus controls the readiness of the instrument to receive data.

The readiness of the remote station to receive data is reported to the instrument via the CTS and DSR line. A logic '0' on both lines activates the data output and a logic '1' on both lines stops the data output of the instrument. The data output takes place via the TxD line.

Cable for hardware handshake

The connection of the instrument to a controller is made with a so-called zero modem cable. Here, the data, control and acknowledge lines must be crossed. The following wiring diagram applies to a controller with a 9-pin or 25-pin configuration.

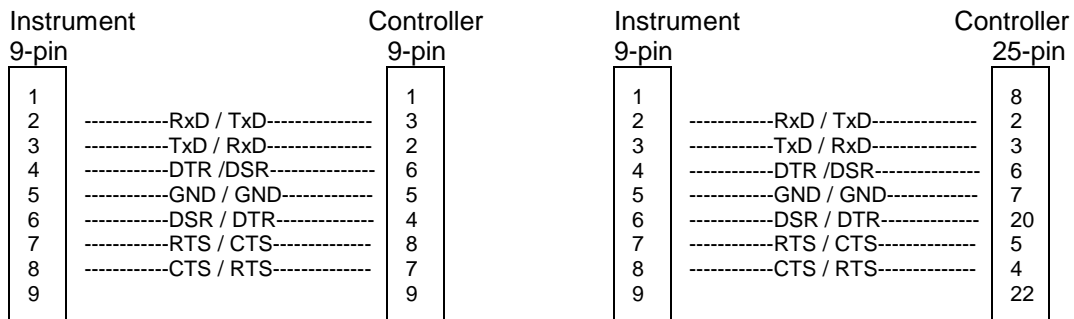
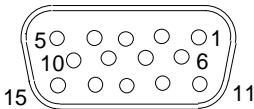


Fig. 8-2 Wiring of the data, control and acknowledge lines for hardware handshake

Fig. 8-9 Pin assignments for the USER connector.

The configuration of the user ports takes place in the *SETUP* menu (SETUP key) in the *GENERAL SETUP* sub-menu.

Monitor Connector (MONITOR)



Pin	Signal	Pin	Signal	Pin	Signal
1	R	6	GND	11	(NC)
2	G	7	GND	12	(NC)
3	B	8	GND	13	HSYNC
4	(NC)	9	GND	14	VSYNC
5	GND	10	GND	15	(NC)

Fig. 8-6 Pin assignments of the MONITOR connector.

Noise Source Control (NOISE SOURCE)

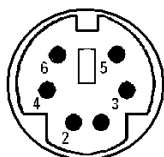
Using the NOISE SOURCE connector, an external noise source can be switched on/off, in order, e.g., to measure the noise figure of units under test (UUTs). Usual noise sources require a +28 V signal to be turned on. At 0 V, they are turned off. These supply voltages are delivered by the connector. Maximum current is 100 mA..

External Trigger Input (EXT TRIG/GATE)

The EXT TRIG/GATE connector is used for controlling the measurement via an external signal. The trigger voltages are TTL level (Low < 0.7 V, High > 1.4 V), typ. input impedance is 10 kOhm

Mouse Connector (MOUSE)

A PS/2 connector is provided at the rear panel to connect a PS/2 mouse:



Pin	Signal
1	MOUSEDATA
2	KEYBOARDDATA
3	MOUSEGND
4	MOUSEVD5
5	MOUSECLK
6	KEYBOARDCLK

Fig 8-7 Pin assignments for the MOUSE connector.

Reference Output/Input (REF IN and REF OUT)

For operation with an external reference, the internal reference oscillator is then synchronized to the 10-MHz reference applied to the connector. The necessary level is > 0 dBm.

The internal 10 MHz reference signal is also available at the REF OUT connector and thus provides the capability of, e.g., synchronization of external instruments to the FSP. The output level is 0 dBm.

Selection between internal and external reference is possible in the *SETUP* menu.

IF Output 20.4 MHz (20.4 MHz OUT)

The 20.4 MHz IF signal of the FSP is available at the 20.4 MHz OUT BNC connector. The bandwidth corresponds to the selected bandwidth for a resolution bandwidth between 100 kHz and 10 MHz. For a resolution bandwidth below 100 kHz, the bandwidth of the output is 2.6 times the resolution bandwidth with a minimum of 2.6 kHz.

The signal level at the IF output is 0 dBm for resolution bandwidth \geq 100 kHz, and -10 dBm for resolution bandwidth < 100 kHz (mixer level \geq 60 dBm) .

Note: This output is replaced by connector CCVS IN/OUT if option FSP-B6 is built in.

CCVS Input and Output (CCVS IN/OUT, Option FSP-B6)

The BNC connector CCVS IN/OUT can be switched at CCVS input or CCVS output. If TV triggering is switched on, the demodulated TV signal is available for operating a CCVS monitor, provided triggering is set to the internal demodulation signal (CCVS INT). In case of TV triggering to an externally fed CCVS signal (CCVS EXT), the connector serves as an input.

Input for External Modulation of Tracking Generator (TG I / AM IN; TG Q / FM IN) (Option FSP-B9)

The TG I /AM IN and TG Q /FM IN connectors allow the tracking generator (option FSP-B9) to be modulated by an external signal.

The input voltage range is ± 0.5 V, and the input impedance is 50 Ohm.

IEC 2 Interface (Option FSP-B10)

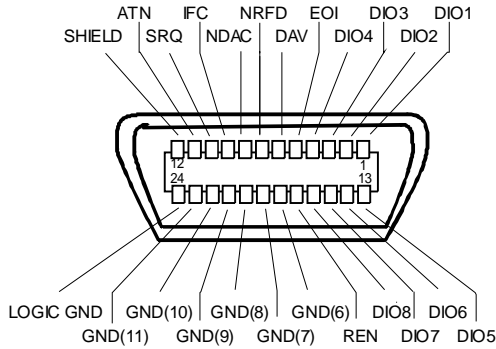
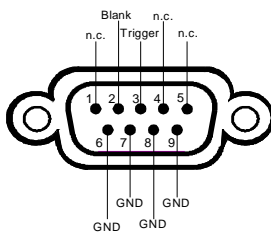


Fig. 8-8 Pin assignment of IEC 2 interface

AUX CONTROL Interface (Option FSP-B10)

FSP External Generator Control Option - FSP-B10). The voltage levels are of the TTL type (low < 0.4 V, high > 2 V).



Pin	Signal	Description
1	n.c.	not connected
2	BLANK	Return signalling from the signal generator indicating that frequency setting is completed
3	TRIGGER	Trigger signal for switching to the next frequency
6...9	GND	Ground

Fig. 8-9 Pin assignment of AUX CONTROL connector

LAN Interface (Option FSP-B16)

The optional LAN interface allows the instrument to be connected to local networks. The pin assignment of the RJ45 connector supports double-paired category 5 UTP/STP cables in star configuration. (UTP means unshielded twisted pair, and STP stands for shielded twisted pair).

Contents - Chapter 9 "Error Messages"

- 9 Error Messages 9.1
 - SCPI-Specific Error Messages..... 9.2
 - Device-Specific Messages 9.8

9 Error Messages

Error messages are entered in the error/event queue of the status reporting system in the remote control mode and can be queried with the command `SYSTem:ERRor?`. The answer format of FSP to the command is as follows:

```
<error code>, "<error text with queue query>;  
<remote control command concerned>"
```

The indication of the remote control command with prefixed semicolon is optional.

Example:

The command `"TEST:COMMAND"` generates the following answer to the query `SYSTem:ERRor?` :

```
-113,"Undefined header;TEST:COMMAND"
```

The subsequent list contains the description of error texts displayed on the instrument.

Distinction is made between error messages defined by SCPI, which are marked by negative error codes, and the device-specific error messages for which positive error codes are used.

The right-hand column in the following tables contains the error text in bold which is entered in the error/event queue and can be read out by means of query `SYSTem:ERRor?`. A short explanation of the error cause is given below. The left-hand column contains the associated error code.

SCPI-Specific Error Messages

No Error

Error code	Error text in the case of queue poll Error explanation
0	No error This message is output if the error queue does not contain any entries.

Command Error - Faulty command; sets bit 5 in the ESR register.

Error code	Error text in the case of queue poll Error explanation
-100	Command Error The command is faulty or invalid.
-101	Invalid Character The command contains an invalid sign. Example: A header contains an ampersand, " SENSe& ".
-102	Syntax error The command is invalid. Example: The command contains block data the instrument does not accept.
-103	Invalid separator The command contains an imallowed sign instead of a separator. Example: A semicolon is missing after the command.
-104	Data type error The command contains an invalid value indication. Example: ON is indicated instead of a numeric value for frequency setting.
-105	GET not allowed A Group Execute Trigger (GET) is within a command line.
-108	Parameter not allowed The command contains too many parameters. Example: Command SENSe:FREQUENCY:CENTer permits only one frequency indication.

Continuation: Command Error

Error code	Error text in the case of queue poll Error explanation
-109	Missing parameter The command contains too few parameters. Example: The command <code>SENSe:FREQuency:CENTer</code> requires a frequency indication.
-110	Command header error The header of the command is faulty.
-111	Header separator error The header contains an imallowed separator. Example: the header is not followed by a "White Space", " <code>*ESE255</code> "
-112	Program mnemonic too long The header contains more than 12 characters.
-113	Undefined header The header is not defined for the instrument. Example: <code>*XYZ</code> is undefined for every instrument.
-114	Header suffix out of range The header contains an imallowed numeric suffix. Example: <code>SENSe3</code> does not exist in the instrument.
-120	Numeric data error The command contains a faulty numeric parameter.
-121	Invalid character in number A number contains an invalid character. Example: An "A" in a decimal number or a "9" in an octal number.
-123	Exponent too large The absolute value of the exponent is greater than 32000.
-124	Too many digits The number includes too many digits.
-128	Numeric data not allowed The command includes a number which is not allowed at this position. Example: The command <code>INPut:COUPLing</code> requires indication of a text parameter.
-130	Suffix error The command contains a faulty suffix.
-131	Invalid suffix The suffix is invalid for this instrument. Example: nHz is not defined.
-134	Suffix too long The suffix contains more than 12 characters.
-138	Suffix not allowed A suffix is not allowed for this command or at this position of the command. Example: The command <code>*RCL</code> does not permit a suffix to be indicated.
-140	Character data error The command contains a faulty text parameter
-141	Invalid character data The text parameter either contains an invalid character or it is invalid for this command. Example: Write error with parameter indication; <code>INPut:COUPLing XC</code> .

Continuation: Command Error

Error code	Error text in the case of queue poll Error explanation
-144	Character data too long The text parameter contains more than 12 characters.
-148	Character data not allowed The text parameter is not allowed for this command or at this position of the command. Example: The command *RCL requires a number to be indicated.
-150	String data error The command contains a faulty string.
-151	Invalid string data The command contains a faulty string. Example: An END message has been received prior to the terminating apostrophe.
-158	String data not allowed The command contains a valid string at a position which is not allowed. Example: A text parameter is set in quotation marks, INPut:COUPling "DC"
-160	Block data error The command contains faulty block data.
-161	Invalid block data The command contains faulty block data. Example: An END message was received prior to reception of the expected number of data.
-168	Block data not allowed The command contains valid block data at an imallowed position. Example: The command *RCL requires a number to be indicated.
-170	Expression error The command contains an invalid mathematical expression.
-171	Invalid expression The command contains an invalid mathematical expression. Example: The expression contains mismatching parentheses.
-178	Expression data not allowed The command contains a mathematical expression at an imallowed position.

Execution Error - Error on execution of a command; sets bit 4 in the ESR register

Error code	Error text in the case of queue poll Error explanation
-200	Execution error Error on execution of the command.
-201	Invalid while in local The command is not executable while the device is in local due to a hard local control. Example: The device receives a command which would change the rotary knob state, but the device is in local so the command can not be executed.
-202	Settings lost due to rtl A setting associated with hard local control was lost when the device changed to LOCS from REMS or to LWLS from RWLS.
-210	Trigger error Error on triggering the device.
-211	Trigger ignored The trigger (GET, *TRG or trigger signal) was ignored because of device timing considerations. Example: The device was not ready to respond.
-212	Arm ignored An arming signal was ignored by the device.
-213	Init ignored Measurement initialisation was ignored as another measurement was already in progress.
-214	Trigger deadlock The trigger source for the initiation of measurement is set to GET and subsequent measurement is received. The measurement cannot be started until a GET is received, but the GET would cause an interrupted-error)
-215	Arm deadlock The trigger source for the initiation of measurement is set to GET and subsequent measurement is received. The measurement cannot be started until a GET is received, but the GET would cause an interrupted-error.
-220	Parameter error The command contains a faulty or invalid parameter.
-221	Settings conflict There is a conflict between setting of parameter value and instrument state.
-222	Data out of range The parameter value lies out of the allowed range of the instrument.
-223	Too much data The command contains too many data. Example: The instrument does not have sufficient storage space.
-224	Illegal parameter value The parameter value is invalid. Example: The text parameter is invalid , TRIGger : SWEEp : SOURce TASTE

Continuation: Execution Error

Error code	Error text in the case of queue poll Error explanation
-230	Data corrupt or stale The data are incomplete or invalid. Example: The instrument has aborted a measurement.
-231	Data questionable The measurement accuracy is suspect.
-240	Hardware error The command cannot be executed due to problems with the instrument hardware.
-241	Hardware missing Hardware is missing. Example: An option is not fitted.
-250	Mass storage error A mass storage error occurred.
-251	Missing mass storage The mass storage is missing. Example: An option is not installed.
-252	Missing media The media is missing. Example: There is no floppy in the floppy disk drive.
-253	Corrupt media The media is corrupt. Example: The floppy is bad or has the wrong format.
-254	Media full The media is full. Example: There is no room on the floppy.
-255	Directory full The media directory is full.
-256	File name not found The file name cannot be found on the media.
-257	File name error The file name is wrong. Example: An attempt is made to copy to a duplicate file name.
-258	Media protected The media is protected. Example: The write-protect tab on the floppy is present.
-260	Expression error The expression contains an error.

Device Specific Error; sets bit 3 in the ESR register

Error code	Error test in the case of queue poll Error explanation
-300	Device-specific error FSP-specific error not defined in greater detail.
-310	System error This error message suggests an error within the instrument. Please inform the R&S Service.
-313	Calibration memory lost Loss of the non-volatile data stored using the *CAL? command. This error occurs when the correction data recording has failed.
-330	Self-test failed The selftest could not be executed.
-350	Queue overflow This error code is entered in the queue instead of the actual error code if the queue is full. It indicates that an error has occurred but not been accepted. The queue can accept 5 entries.

Query Error - Error in data request; sets bit 2 in the ESR register

Error code	Error text in the case of queue poll Error explanation
-400	Query error General error occurring when data are requested by a query.
-410	Query INTERRUPTED The query has been interrupted. Example: After a query, the instrument receives new data before the response has been sent completely.
-420	Query UNTERMINATED The query is incomplete. Example: The instrument is addressed as a talker and receives incomplete data.
-430	Query DEADLOCKED The query cannot be processed. Example: The input and output buffers are full, the instrument cannot continue operation.
-440	Query UNTERMINATED after indefinite response A query is in the same command line after a query which requests an indefinite response.

Device-Specific Messages

Error code	Error text in the case of queue poll Error explanation
1036	MS: The correction table based amplifier gain exceeds the amplifier range for CALAMP1 and CALAMP2 on IF board This message is output when the setting range of the calibration amplifier is not sufficient for the required correction. The error occurs only with modules which are not correctly adjusted or defective.
1052	Frontend LO is Unlocked This message is output when the phase regulation of the local oscillator fails in the RF frontend.
1060	Trigger-Block Gate Delay Error- gate length < Gate Delay This message is output when the gate signal length is not sufficient for the pull-in delay with a predefined gate delay.
1064	Tracking LO is Unlocked This message is output when the phase regulation of the local oscillator fails on the tracking generator module.

Error code	Error text in the case of queue poll Error explanation
2022	OPTIONS.INI invalid This message is output when an error has been recognized in the file OPTIONS.INI which contains the clearing codes for retrofitable firmware applications. If this file is not correctly recognized, all firmware applications are blocked for this instrument.
2028	Hardcopy not possible during measurement sequence This message is output when a printout is started during scan sequences that cannot be interrupted. Such sequences are for example: <ul style="list-style-type: none"> • Recording the system error correction data (calibration) • Instrument selftest In such cases a synchronization to the end of the scan sequence should be performed prior to starting the printout.
2033	Printer Not Available This message is output when the selected printer is not included in the list of available output devices. A possible cause is that the required printer driver is missing or incorrectly installed.
2034	CPU Temperature is too high This message is output when the temperature of the processor exceeds 70 °C.

- spacing..... 4.97
 - Channel filters..... 4.26
 - Channel power measurement..... 4.90
 - Characters, special**..... 6.2
 - Clear/Write mode..... 4.42
 - CLWR (trace info)..... 3.5
 - Colon..... 5.14
 - Color..... 4.136, 4.178
 - Color printout..... 4.178
 - COM interface..... 4.147, 8.7
 - Comma..... 5.14
 - Command
 - #..... 5.14
 - addressed..... 8.5
 - colon..... 5.14
 - comma..... 5.14
 - description..... 6.1
 - header..... 5.10
 - line..... 5.12
 - long form..... 5.11
 - overlapping execution..... 5.17
 - programming examples..... 7.1
 - query..... 5.12
 - question mark..... 5.12, 5.14
 - quotation mark..... 5.14
 - recognition..... 5.16
 - sequence..... 5.17
 - short form..... 5.11
 - structure..... 5.9
 - suffix..... 5.11
 - syntax elements..... 5.14
 - universal..... 8.5
 - white space..... 5.14
 - Common commands..... 6.4
 - CONDition register part..... 5.19
 - Configuration..... 4.137
 - save..... 4.163
 - Continue single sweep..... 4.29
 - Continuous sweep..... 4.28
 - Control
 - output level..... 4.189
 - Control characters..... 8.9
 - Copy
 - file..... 4.171
 - limit line..... 4.122
 - trace..... 4.48
 - Correction data..... 4.55
 - Correction of entry..... 3.17
 - Correction values
 - normalization..... 4.187, 4.203
 - Counter resolution..... 4.60
 - Coupling
 - bandwidths..... 4.18
 - default settings..... 4.22, 4.24
 - frequency of diagrams..... 4.133
 - reference level of diagrams..... 4.133
 - resolution bandwidth..... 4.21
 - sweep time..... 4.22
 - video bandwidth..... 4.21
 - CP measurement..... 4.90
 - Cumulative distribution function..... 4.108
- D**
- Date..... 4.134
 - input..... 4.150
 - DCL..... 5.16
 - Decimal point..... 3.11
 - Default
 - coupling ratios..... 4.22
 - display settings..... 4.134
 - scalings of x- and y-axis..... 4.110
 - Delay, gate signal..... 4.36
 - Delete
 - file..... 4.171
 - limit line..... 4.122
 - Demodulation..... 4.72
 - Detector
 - autopeak..... 4.49
 - average..... 4.50
 - max peak..... 4.49
 - min peak..... 4.49
 - quasipeak..... 4.50
 - RMS..... 4.50
 - sample..... 4.49
 - Device reset (overall)..... 4.2
 - Directory
 - create..... 4.171
 - rename..... 4.171
 - Diskette, format..... 4.171
 - Display
 - brightness..... 4.136
 - color..... 4.136
 - date..... 4.134
 - deactivation during single sweep..... 4.30
 - power-save mode..... 1.18, 4.135
 - saturation..... 4.136
 - time..... 4.134
 - tint..... 4.136
 - title..... 4.134
 - Display line..... 4.128
 - Display mode
 - full screen..... 3.8, 4.132
 - split screen..... 3.8, 4.133
 - Display range
 - frequency..... 4.6
 - level..... 4.13
 - span..... 4.10
 - Distribution function..... 4.108
 - Double dagger..... 5.14
- E**
- EDGE
 - Midamble..... 6.100
 - selection..... 6.101
 - Editing
 - limit line..... 4.123
 - parameter..... 3.16
 - table..... 3.21
 - Electrostatic discharge..... 1.14
 - EMI Protection..... 1.16
 - ENABLE register part..... 5.19
 - Enabling the front panel keys..... 4.4
 - Enhancement labels..... 3.5
 - ENTER (key)..... 3.11
 - Entry
 - abort..... 3.11
 - activate..... 3.14, 3.23
 - correct..... 3.17
 - terminate..... 3.11
 - Error messages..... 4.158, 9.1
 - Error variable - iberr..... 4.244
 - Error-queue query..... 5.32
 - ESC (key)..... 3.11
 - ESE (event status enable register)..... 5.22
 - ESR (event status register)..... 5.22
 - EVENT register part..... 5.19
 - Event status enable register (ESE)..... 5.22
 - Event status register (ESR)..... 5.22

- EXT (enhancement lable) 3.6
EXT TRIGGER/GATE input 4.32, 8.12
External generator 4.203
External noise source 4.138
- F**
- Fast power measurement 4.92
FFT filter 4.24
Field, first or second 4.39
File
 copy 4.171
 delete 4.171
 rename 4.171
 sort 4.171
Filter
 band filter 4.24
 FFT 4.24
Firmware update 4.162
Firmware version 4.157
Fixed filter 4.24
FM demodulation 4.73
FM modulation 4.200
Free-run sweep 4.31
Frequency 4.5
 axis labelling 3.4
 center 4.6
 counter 4.60
 coupling of diagrams 4.133
 display window 4.5, 4.10
 Line 4.129
 offset 4.9
 Offset (ext. generator) 4.213
 offset (tracking generator) 4.198
 span 4.10
 start 4.8
 stop 4.8
 switching off display 4.134
Frequency-converting measurements 4.198, 4.213
FRQ (enhancement lable) 3.6
Full screen 3.8, 4.132
Full span 4.10
- G**
- GAT (enhancement lable) 3.6
Gate
 delay 4.36
 external/internal 4.34
 length 4.36
GET (Group Execute Trigger) 5.16
Getting Started with the Instrument 1.14
GHz/dBm (key) 3.11
GMSK
 Midamble 6.100
 selection 6.101
- H**
- Hardcopy
 format 4.177
 orientation 4.177
 screen 4.174
Hardware Adjustment 4.162
Hardware settings, indication 3.3
Header 5.10
Help line editor 3.20
- Horizontal sync signal 4.39
Hotkey
 NETWORK 4.187
 RECEIVER 4.3
 SCREEN A/B 4.3, 6.120
 SPECTRUM 4.3, 4.5, 6.155
Hue, Screen 4.179
Hz/dB. (key) 3.11
- I**
- I/Q modulation 4.201
IEC Bus
 Interface 8.13
IEC/IEEE bus
 address 4.146
 command description 6.1
 interface 8.3
 interface functions 8.4
 programming examples 7.1
IFOVL 3.5
Impedance of input 4.16
Indication
 hardware settings 3.3
 instrument settings 3.5
 marker information 3.4
Initial configuration 4.2
Input
 EXT TRIGGER/GATE 4.32, 8.12
 REF IN 8.12
Input impedance 4.16
Instrument functions 4.1
Interface functions
 IEC/IEEE bus 8.4
Interfaces 8.2
Intermodulation product 4.115
Interrupt 5.31
IST flag 5.22
- K**
- Key
 0 to 9 3.11
 AMPT 4.13
 BACK 3.11
 BW 4.19
 CAL 4.55
 CANCEL 3.11
 DISP 4.131
 ENTER 3.11
 ESC 3.11, 6.22
 FILE 4.163
 FREQ 4.5
 GHz/dBm 3.11
 Hz/dB 3.11
 kHz/dB 3.11
 LINES 4.119, 4.128
 MEAS 4.82
 MHz/dBm 3.11
 MKR 4.57
 MKR FCTN 4.64
 MKR to 4.74
 PRESET 4.2, 6.7, 6.272
 roll-key 3.12
 SETUP 4.137
 SPAN 4.10
 SWEEP 4.28
 TRACE 4.41
 TRIG 4.31

- Keyboard
 - connection..... 1.20
 - connector..... 8.2
- kHz/dB (key)..... 3.11

- L**
- LAN
 - Interface..... 8.13
- LAN-Interface..... 4.219
- Level..... 4.13
 - display range..... 4.13
 - line..... 4.129
 - offset (phase noise)..... 4.68
 - offset (tracking generator)..... 4.189
 - range..... 4.13
 - reference..... 4.13
- Limit
 - ACP measurement..... 4.99
 - evaluation range..... 4.85
 - probability range..... 4.110
- Limit check..... 4.121
 - ACP measurement..... 4.99
- Limit Check..... 4.121
- Limit line
 - copy..... 4.122
 - delete..... 4.122
 - domain..... 4.124
 - edit..... 4.123
 - limit check..... 4.121
 - offset..... 4.122
 - save..... 4.127
 - scaling..... 4.125
 - select..... 4.120
 - shift..... 4.127
 - unit..... 4.125
 - value..... 4.127
- Line
 - Frequency (Frequency Line 1, 2)..... 4.129
 - level (Display Line 1,2)..... 4.129
 - limit..... 4.120
 - reference (tracking generator)..... 4.193, 4.208
 - threshold..... 4.77
 - Time (Time Line 1, 2)..... 4.130
- Line system..... 4.40
- Lines..... 4.129
- LO exclude..... 4.81
- Login/out (NT controller)..... 1.19
- Logo..... 4.134
- Lower case..... 6.2
- LPT interface..... 8.6

- M**
- Maintenance..... 8.1
- Manual operation
 - return to..... 5.4, 5.6
 - switch to..... 4.4
- Marker..... 4.57
 - center frequency to..... 4.75
 - CF stepsize to..... 4.80
 - indication..... 3.4
 - N dB Down..... 4.69
 - normal..... 4.57
 - peak..... 4.65, 4.75
 - reference level to..... 4.75
 - search limit..... 4.77
 - signal track..... 4.9
 - to trace..... 4.59, 4.73
- zoom..... 4.63
- Max hold..... 4.42
- Max peak detector..... 4.52
- MAXH (trace info)..... 3.5
- Maximum peak value..... 4.86
- Maximum search..... 4.75
- Maximum value..... 4.84
- Mean power (GSM burst)..... 4.85
- Mean value..... 4.85
- Measurement
 - frequency-converting..... 4.198, 4.213
 - reflection..... 4.211
 - reflexion..... 4.196
 - transmission..... 4.190, 4.205
- Measurement example
 - ACP with user-specific channel configuration..... 4.101
 - adjacent-channel power for a specific standard..... 4.100
 - CCDF of a IS95 BTS signal..... 4.111
 - occupied bandwidth of a PDC signal..... 4.105
 - signal/noise power density (C/No) of an IS95 CDMA signal..... 4.102
- Measurement Example
 - Harmonic..... 2.5
 - Measurement of Carrier/Noise Ratio C/N and C/No..... 4.112
- Measurement, save..... 4.163
- Memory, battery-powered..... 1.18
- Menu
 - call..... 3.10
 - change keys..... 3.10
- Messages..... 4.158
 - acknowledgement..... 3.7
- MHz/dBm (key)..... 3.11
- MI (trace info)..... 3.5
- Min hold..... 4.45
- Min peak detector..... 4.52
- MINH (trace info)..... 3.5
- Minimum search..... 4.81
- Mobile radio standard..... 4.91
- Mode
 - analyzer..... 4.5
- Modulation
 - external (tracking generator)..... 4.199
- Modulation depth..... 4.114
- Monitor
 - connection..... 1.22
 - connector..... 8.10
- Mouse
 - connection..... 1.21
 - connector..... 8.12
- Mouse connector..... 8.2
- MSG..... 3.5

- N**
- Network..... 4.187
- Noise
 - source, external..... 4.138
- Noise measurement..... 4.65
- NOISE SOURCE..... 8.10
- Normalization..... 4.192, 4.207
- NT computer..... 1.19
- NTRansition register part..... 5.19
- Numerical values (command)..... 5.13

- O**
- Occupied bandwidth..... 4.103
- Offset
 - frequency..... 4.9

frequency (ext. generator) 4.213
 gate signal 4.36
 level (tracking generator) 4.189
 limit line 4.122
 phase noise 4.68
 reference level 4.16
 trigger 4.32
 Operating mode
 analyzer 4.5
 Operating time 4.157
 Option
 FSP-B10 – External Generator 4.203
 FSP-B16 – LAN Interface 4.219
 FSP-B6 – TV and RF Trigger 4.38
 FSP-B9 – Tracking Generator 4.187
 Order number 4.156
 Orientation 4.177
 Output
 AF OUTPUT 8.2
 IF 20.4 MHz Out 8.12
 noise source control 8.10
 REF OUT 8.12
 Output level
 control 4.189
 OVEN 3.5
 Overwrite mode 4.42
 OVL 3.5, 4.197, 4.212

P

Packing 8.1
 Parallel poll 5.32
 Parallel poll enable register (PPE) 5.22
 Parameter
 block data 5.14
 boolean 5.13
 editing 3.16
 numerical values 5.13
 selection 3.13
 string 5.14
 text 5.14
 Password
 service functions 4.160
 Windows NT 1.19
 Path 4.170
 Peak excursion 4.78
 Peak search 4.65, 4.75
 Phase noise measurement 4.67
 PK (trace info) 3.5
 Polarity
 external trigger/gate 4.35
 trigger edge 4.32
 video 4.40
 Power bandwidth percentage 4.103
 Power cables 8.1
 Power measurement 4.82
 CP/ACP 4.88
 Fast 4.92
 occupied bandwidth 4.103
 signal amplitude statistics 4.106
 Time Domain 4.83
 Power, mean 4.85
 Power-save mode
 display 1.18
 hard disk 1.18
 PPE (parallel poll enable register) 5.22
 Preamplifier 4.139
 Preparing the Instrument for Operation 1.14
 Preset instrument 4.2
 Pretrigger 4.32

Print
 abort 4.175
 start 4.174
 PRINT SCREEN (Gate Signal) 4.36
 Printer
 configuration 4.172
 connection 1.23, 8.6
 interface 8.6
 PRN (enhancement table) 3.6
 Probe Power connector 8.2
 PTRansition register part 5.19
 Putting into operation
 AC supply connection 1.16

Q

QP (trace info) 3.5
 Quasipeak detector 4.50
 Query 5.12, 5.32
 Question mark 5.12, 5.14
 Quotation mark 5.14

R

Rackmounting 1.15
 Recording the correction data 4.55
 Reference
 dataset (tracking generator) 4.197, 4.212
 external 4.138
 fixed 4.61
 frequency 4.61
 level to marker level 4.75
 line (tracking generator) 4.193, 4.208
 position for normalization 4.208
 Reference level 4.13
 channel power 4.93
 coupling of diagrams 4.133
 offset 4.16
 position 4.16
 to marker level 4.75
 Reference point
 frequency 4.61
 frequency (phase noise) 4.69
 level 4.61
 offset 4.61
 level (phase noise) 4.68
 offset 4.68
 x axis 4.62
 Reference value
 channel power 4.92
 time domain power 4.86
 Reflection measurement 4.196, 4.211
 Remote control
 basics 5.1
 IEC/IEEE bus 5.4
 RS-232-C 5.5
 switch over 5.3
 Remote Control
 RSIB 4.241
 Rename
 directory 4.171
 file 4.171
 Reset
 device 4.2
 status reporting system 5.33
 Resolution bandwidth 4.20
 Resolution counter 4.60
 RF ATTEN MANUAL 4.17
 RF attenuation 4.15

- RM (trace info)..... 3.5
- RMS detector..... 4.50, 4.52
- RMS value..... 4.84
- Roll-key 3.12
- RS-232-C
 - configuration..... 4.147
 - interface 8.7
 - transmission parameters 8.8

- S**
- SA (trace info)..... 3.5
- Sample detector 4.52
- Sample number 4.109
- Saturation..... 4.136
- Saturation, Screen..... 4.180
- Save
 - configuration..... 4.163
 - limit line 4.127
 - measurement 4.163
- Scalar reflection measurement 4.196, 4.211
- Scaling
 - level axis 4.16
 - level display range..... 4.14
 - limit line 4.125
 - x- and y-axis (signal statistic) 4.109
- SCPI
 - conformity information 6.1
 - introduction..... 5.9
- SCPI version 5.1
- Screen..... 3.1
 - brightness..... 4.179
 - Colors..... 4.180
 - full screen..... 4.132
 - hue 4.179
 - Saturation..... 4.180
 - split screen 3.8, 4.133
 - subdivision 3.2
- Screen, Colors..... 4.180
- Search
 - bandwidth..... 4.9
 - direction..... 4.76
 - minimum..... 4.81
 - peak 4.65, 4.75
 - peak excursion 4.78
 - PEAK EXCURSION 4.71
 - range..... 4.77
- Selftest 4.161
- Sensitivity
 - APD measurement 4.110
 - CCDF measurement..... 4.110
- Serial interface..... 8.7
 - configuration..... 4.147
- Serial number 4.156
- Serial poll..... 5.31
- Service functions 4.159
- Service request (SRQ)..... 5.21, 5.31
- Service request enable register (SRE)..... 5.21
- Setting Up the Instrument 1.14
- Settings, indication 3.5
- Setup..... 4.137
 - general 4.146
- SGL (enhancement table)..... 3.6
- Sign (key) 3.11
- Signal amplitude statistics 4.106
- Signal count..... 4.60
- Signal tracking..... 4.9
 - search bandwidth 4.9
- Signal/noise ratio..... 6.212
- Single sweep 4.28

- Softkey
 - % POWER BANDWIDTH..... 4.103, 6.238
 - = CENTER..... 4.7, 4.8
 - = MARKER 4.7, 4.8
 - 0.1 * RBW 4.7, 6.221, 6.222
 - 0.1 * SPAN..... 4.6, 6.221, 6.222
 - 0.5 * RBW 4.7, 6.221, 6.222
 - 0.5 * SPAN..... 4.6, 6.221, 6.222
 - 1 MHzESPI 6.206
 - 10 DB MIN ON/OFF..... 6.152
 - 120 kHzESPI..... 6.206
 - 200 HzESPI 6.206
 - 9 kHzESPI 6.206
 - ABSOLUTE PEAK/MIN..... 4.76, 6.12, 6.13
 - ACP LIMIT CHECK..... 4.99, 6.26
 - ADJ CHAN BANDWIDTH 4.96, 6.236
 - ADJ CHAN SPACING 4.97, 6.234, 6.235
 - ADJUST REF LVL 4.93, 4.104, 6.237
 - ADJUST SETTINGS 4.110, 4.113, 6.90, 6.237
 - ADJUST SETTINGS (occupied bandwidth)..... 4.104
 - ADJUST SETTINGS (power measurements)..... 4.98
 - ALL MARKER OFF 4.63, 6.10, 6.46
 - AM 4.73, 6.60, 6.291
 - AMPERE..... 4.14, 6.95, 6.297
 - ANNOTATION ON/OFF 4.134, 6.118
 - APD ON/OFF..... 4.108, 6.89, 6.92
 - area 3.9
 - ASCII FILE EXPORT 4.46, 6.143, 6.165, 6.166
 - AUTO RANGE ON/OFFESPI..... 6.152
 - AUTO SELECT 4.51, 6.220
 - AUTOPREAMP ON/OFFESPI 6.154
 - AVERAGE 4.43, 6.124, 6.204, 6.220
 - AVERAGE ON/OFF... 4.86, 6.74, 6.75, 6.77, 6.79, 6.81
 - AVERAGEESPI 6.220
 - AVG MODE LOG/LIN..... 4.45, 6.88, 6.205
 - BLANK..... 4.44, 6.124
 - BRIGHTNESS..... 4.136, 4.179, 6.119, 6.145
 - C/N 4.113
 - C/N, C/NO 4.112
 - C/No 4.113
 - CAL ABORT 4.55, 6.96
 - CAL CORR ON/OFF..... 4.56, 6.97
 - CAL GEN 128 MHZ..... 4.160, 6.114
 - CAL GEN COMB 4.160, 6.115
 - CAL REFL OPEN..... 4.196, 4.211, 6.216, 6.217
 - CAL REFL SHORT 4.196, 4.211, 6.216, 6.217
 - CAL RESULTS 4.56, 6.97
 - CAL TOTAL 4.55, 6.96
 - CAL TRANS..... 4.191, 4.206, 6.216
 - CCDF ON/OFF 4.108, 6.89, 6.92
 - CCVS INT / EXT 4.40, 6.245
 - CENTER 4.6, 6.221
 - CENTER = MKR FREQ 4.75, 6.64
 - CENTER A = MARKER B 4.133, 6.156
 - CENTER B = MARKER A 4.133, 6.156
 - CENTER FREQUENCYESPI..... 6.221
 - CF STEPSIZE 6.221
 - CHAN PWR / HZ..... 4.98
 - CHAN PWR /ACP 4.90, 6.65
 - CHAN PWR /HZ 6.68
 - CHAN TABLE HEADER..... 6.109, 6.112
 - CHAN TABLE VALUES 6.108, 6.111
 - CHANNEL BANDWIDTH 4.96, 4.103, 4.113, 6.235
 - CLEAR ALL MESSAGES..... 4.158, 6.270, 6.271
 - CLEAR/WRITE 4.42, 6.124
 - CNT RESOL to 6.48
 - CNT RESOL 4.60
 - CODE CHAN AUTOSEARCH..... 6.108, 6.111
 - CODE CHAN PREDEFINED..... 6.108, 6.111
 - COLOR ON/ OFF 6.147
 - COLOR ON/OFF..... 4.178
 - COLORS..... 4.177, 4.178

COM INTERFACE.....	4.147, 6.267	FILE MANAGER.....	4.170, 6.159
COMMENT SCREEN A/B.....	4.177, 6.148	FILTER TYPE.....	4.24, 6.208
CONFIG DISPLAY.....	4.133, 6.118	FINAL AVERAGE.....	6.220
CONFIGURE NETWORK.....	4.151	FINAL MAX PEAK.....	6.220
CONT AT REC FREQ.....	6.150	FINAL MEAS TIME.....	6.241
CONT DEMOD.....	4.73, 6.61	FINAL MIN PEAK.....	6.220
CONT MEAS.....	4.111, 6.150, 6.151	FINAL PHASES.....	6.153
CONTINUE SGL SWEEP.....	4.29, 6.150, 6.151	FINAL QUASISPEAK.....	6.220
CONTINUOUS SCAN.....	6.150	FINAL RMS.....	6.220
CONTINUOUS SWEEP.....	4.27, 4.28, 6.150, 6.151	FIRMWARE UPDATE.....	4.162, 6.271
COPY.....	4.171, 6.159	FM.....	4.73, 6.60, 6.291
COPY CHAN CONF TABLE.....	6.109, 6.112	FORMAT DISK.....	4.171, 6.161
COPY LIMIT LINE.....	4.122, 6.22	FREE RUN.....	4.31, 6.291
COPY TRACE.....	4.48, 6.280	FREQ AXIS LIN/LOG.....	6.121
COUPLING DEFAULT.....	4.24, 6.207, 6.241	FREQUENCY LINE 1/2.....	4.129
COUPLING RATIO.....	4.22, 6.207	FREQUENCY OFFSET.....	4.9, 4.198, 4.213, 6.223, 6.247
CP/ACP ABS/REL.....	4.97, 6.236	FREQUENCY SWEEP.....	4.217, 6.250, 6.251
CP/ACP CONFIG.....	4.95, 6.26, 6.234	FULL SCREEN.....	4.132, 6.118
CP/ACP ON/OFF.....	4.90, 6.65, 6.66, 6.69	FULL SIZE DIAGRAM.....	4.93
CP/ACP STANDARD.....	4.91, 6.69	FULL SPAN.....	4.10, 6.222
DATA SET CLEAR.....	4.169, 6.166	GATE DELAY.....	4.36, 6.243
DATA SET CLEAR ALL.....	4.169, 6.166	GATE LENGTH.....	4.36, 6.243
DATA SET LIST.....	4.168	GATE MODE LEVEL/EDGE.....	4.35, 6.243
DATAENTRY OPAQUE.....	4.134	GATE SETTINGS.....	4.35, 6.242
dBm.....	4.14, 6.95, 6.297	GATED TRIGGER.....	4.34, 6.242, 6.244
dBmV.....	4.14, 6.95, 6.297	GENERAL SETUP.....	4.146
dBpT.....	6.95	GPB ADDRESS.....	4.146, 6.264
dBpTESPI.....	6.95, 6.297	GRID ABS/REL.....	4.16, 6.121
dBpW.....	4.14, 6.95, 6.297	GRID RANGE LOG 100 dBESPI.....	6.121
dBx / MHz.....	6.95	GRID RANGE LOG MANUALESPI.....	6.121
dB μ A.....	4.14, 6.95, 6.297	HARDCOPY ABORT.....	4.175, 6.144
dB μ V.....	4.14, 6.95, 6.297	HARDWARE INFO.....	4.156, 6.6, 6.116
DÉCIM SEP.....	4.48, 6.143	HOLD SCANESPI.....	6.8
DEFAULT COLORS.....	4.134, 6.119, 6.144	HOR SYNC.....	4.39, 6.294
DEFAULT CONFIG.....	4.168, 6.168	IF POWER.....	4.32, 6.244, 6.291, 6.293
DEFAULT SETTINGS.....	4.110, 6.91	INACT CHAN THRES.....	6.212
DEL CHAN CONF TABLE.....	6.110, 6.112	INPUT CAL.....	4.159, 4.160, 6.114, 6.115
DELETE.....	4.141, 4.171, 6.161, 6.165, 6.219	INPUT RF.....	4.159, 4.160, 6.114
DELETE LIMIT LINE.....	4.122, 6.23	INSERT VALUE.....	4.127
DELETE LINE.....	4.145	INSTALL OPTION.....	4.153
DELETE VALUE.....	4.127	INSTALL PRINTER.....	4.177
DETECTOR.....	4.51, 6.220	INVERT Q.....	6.214
DETECTOR AUTOPEAK.....	4.51, 6.220	ITEMS TO SAVE/RECALL.....	4.167, 6.166
DETECTOR AVERAGE.....	4.53, 6.220	LAST SPAN.....	4.10
DETECTOR MAX PEAK.....	4.52, 6.220	LEFT LIMIT.....	4.71, 4.77, 6.46, 6.47
DETECTOR MIN PEAK.....	4.52, 6.220	LEVEL AUTO ADJUST.....	6.212
DETECTOR QPK.....	4.53, 6.220	LIMIT LINE AUTO.....	6.24
DETECTOR RMS.....	4.52, 6.220	LIMIT LINE MANUAL.....	6.24
DETECTOR SAMPLE.....	4.52, 6.220	LIMIT LINE USER.....	6.24
DEVICE 1/2.....	4.175, 6.146, 6.147, 6.149, 6.164, 6.269	LIMIT ON/OFF.....	4.85, 6.46
DISPLAY LINE 1.....	4.129	LINES 625 / 525.....	4.40, 6.294
DISPLAY PWR SAVE.....	4.135, 6.118	LOCAL.....	4.4, 5.6
EDIT.....	4.141, 4.142, 6.218	LOGO ON/OFF.....	4.134, 6.118
EDIT ACP LIMITS.....	4.99, 6.26, 6.27, 6.28, 6.29, 6.30, 6.31, 6.32, 6.33, 6.34, 6.35	MAIN PLL BANDWIDTH.....	4.26
EDIT CHAN CONF TAB.....	6.108, 6.111	MAKE DIRECTORY.....	4.171, 6.163
EDIT COMMENT.....	4.166, 6.169	MANUAL.....	4.7
EDIT LIMIT LINE.....	4.124, 6.21, 6.37, 6.40, 6.42, 6.43, 6.44	MARGIN.....	6.88
EDIT PATH.....	4.170, 6.159, 6.164	MARKER 1 to 4.....	4.58, 6.11, 6.12, 6.45, 6.46, 6.49
ENABLE ALL ITEMS.....	4.168, 6.168	MARKER DEMOD.....	4.72, 6.60
ENTER PASSWORD.....	4.160, 6.272	MARKER NORM/DELTA.....	4.58, 6.9
ESH2-Z5/ENV 4200.....	6.153	MARKER TRACK.....	6.49
ESH3-Z5.....	6.153	MARKER ZOOM.....	4.63, 6.59
EXCLUDE LO.....	4.81, 6.49	MARKER->CPICH.....	6.84
EXT AM.....	4.200, 6.246	MARKER->DPCCH.....	6.85
EXT FM.....	4.200, 6.247	MARKER->PCCPCH.....	6.84
EXT I/Q.....	4.201, 6.246	MAX HOLD.....	4.42, 6.124
EXT SOURCE.....	4.214	MAX HOLD ON/OFF.....	4.86, 6.74, 6.76, 6.78, 6.80
EXT SRC ON/OFF.....	4.214, 6.249	MAX PEAK.....	6.220
EXTERN.....	4.32, 6.244, 6.291	MAX PEAKESPI.....	6.220
FAST ACP ON/OFF.....	4.92, 6.238	MEAN.....	4.85, 6.76, 6.77
		MEASPERIOD [CHIPS].....	6.211, 6.212
		MIN.....	4.81, 6.13, 6.51

MIN HOLD.....	4.45, 6.124	RBW / VBW MANUAL	4.23, 6.209
MIN PEAK.....	6.220	RBW / VBW NOISE [10].....	4.23, 6.209
MIN PEAKESPI.....	6.220	RBW / VBW PULSE [1].....	4.23, 6.209
MKR -> CF STEPSIZE.....	4.80, 6.64	RBW / VBW SINE [1/3].....	4.22, 6.209
MKR -> STEPSIZE.....	6.64	RECALL.....	4.166, 4.210, 6.162, 6.217
MKR -> TRACE.....	4.59, 4.73, 4.80, 6.10, 6.46	RECEIVER FREQUENCYESPI.....	6.221
MKR DEMOD ON/OFF.....	4.72, 6.61	REF FXD ON/OFF.....	4.61, 6.14
MKR STOP TIME.....	4.73, 6.61	REF LEVEL.....	4.13, 6.122
MODULATION.....	4.199	REF LEVEL = MKR LVL.....	4.75, 6.64
MODULATION DEPTH.....	4.114, 6.62	REF LEVEL COUPLED.....	4.133, 6.156
MODULATION OFF.....	4.201, 6.246, 6.247	REF LEVEL OFFSET.....	4.16, 6.122
N dB DOWN.....	4.69, 6.57, 6.58, 6.59	REF LEVEL POSITION.....	4.16, 6.123
NAME.....	4.124, 6.21, 6.22, 6.37, 6.38, 6.41, 6.43	REF POINT FREQUENCY.....	4.61, 4.69, 6.16
NETWORK.....	4.203	REF POINT LEVEL.....	4.61, 4.68, 6.15
NETWORK.....	4.204	REF POINT LVL OFFSET.....	4.61, 4.68, 6.15
NETWORK LOGIN.....	4.152	REF POINT TIME.....	6.16
NEW.....	4.141, 4.142	REF POINT x-LEVEL.....	4.62, 6.16
NEW CHAN TABLE.....	6.108	REF VALUE.....	4.194, 4.209, 6.122
NEW LIMIT LINE.....	4.124, 6.21, 6.22, 6.37, 6.38, 6.40, 6.42	REF VALUE POSITION.....	4.193, 4.208, 6.123
NEXT MIN.....	4.81, 6.13, 6.51, 6.52	REFERENCE FIXED.....	4.61, 6.14
NEXT MODE.....	4.76	REFERENCE INT/EXT.....	4.138, 6.240
NEXT PEAK.....	4.75, 6.12, 6.13, 6.14, 6.50	REMOVE OPTION.....	4.153
NO OF PEAKS.....	6.88	RENAME.....	4.171, 6.164
NO OF SAMPLES.....	4.109, 6.90	RES BW.....	4.109, 6.206
NO. OF ADJ CHAN.....	4.95, 6.235	RES BW AUTO.....	4.21, 6.207
NOISE CORR ON/OFF.....	6.238	RES BW MANUAL.....	4.20, 6.206
NOISE MEAS.....	4.65, 6.60	RESTORE FIRMWARE.....	4.162
NOISE SRC ON/OFF.....	4.138, 6.115	RF ATTEN AUTO.....	4.15, 6.152
NORMALIZE.....	4.192, 4.207, 6.216	RF ATTEN MANUAL.....	4.15, 4.17, 6.152
NORMALIZE ON/OFF.....	6.214	RF INPUT 50 Ω / 75 Ω	4.16, 6.154
NUMBER OF SWEEPS.....	4.87, 6.242	RF INPUT AC/DC.....	4.14
OCCUP BW ON/OFF.....	4.103, 6.65, 6.66, 6.69	RF POWER.....	4.38, 6.291, 6.293
OCCUPIED BANDWIDTH.....	4.103, 6.65	RIGHT LIMIT.....	4.71, 4.77, 6.46, 6.47
OPTIMIZED COLORS.....	4.178	RMS.....	4.84, 6.75, 6.220
OPTIONS.....	4.153	RMSSESPI.....	6.220
PE FLOATING.....	6.153	RUN SCAN.....	6.151
PE GROUNDED.....	6.153	SATURATION.....	4.136, 4.180, 6.119, 6.145
PEAK.....	4.65, 4.75, 4.84, 6.12, 6.50, 6.73	SAVE.....	4.166, 6.165
PEAK EXCURSION.....	4.71, 4.78, 6.52	SAVE LIMIT LINE.....	4.127
PEAK LIST.....	4.70	SAVE TRD FACTOR.....	4.145
PEAK LIST OFF.....	4.71	SCALING.....	4.109, 6.90
PEAK LIST ON/OFFESPI.....	6.124	SCAN COUNT.....	6.241, 6.242
PEAK SEARCH.....	4.62, 4.69, 4.71, 6.88	SCR TYPE.....	6.213
PEAKS/SUBRANGES.....	6.88	SCRAMBLING CODE.....	6.213
PERCENT MARKER.....	4.108, 6.49	SCREEN COLORS.....	4.178
PH NOISE ON/OFF.....	4.68, 6.16	SCREEN TITLE.....	4.134, 6.120, 6.121
PHASE L1/L2/L3.....	6.153	SEARCH LIMIT OFF.....	4.77, 6.46
PHASE N.....	6.153	SEARCH LIMITS.....	4.77, 6.46
PHASE NOISE.....	4.67, 6.16	SEARCH NEXT LEFT.....	4.76, 6.13, 6.14, 6.52
PN OFFSET [CHIPS].....	6.212	SEARCH NEXT RIGHT.....	4.76, 6.13, 6.14, 6.50, 6.52
POLARITY POS/NEG.....	4.32, 4.35, 6.243, 6.294	SELECT GENERATOR.....	4.214, 6.264, 6.265, 6.266
PORT x 0/1ESPI.....	6.170	SELECT ITEMS.....	4.168, 6.166, 6.167
POWER ABS/REL.....	4.86, 6.81	SELECT LIMIT LINE.....	4.120, 6.20, 6.21, 6.40, 6.43
POWER OFFSET.....	6.248	SELECT MARKER.....	4.65, 4.74, 4.117, 6.45
POWER ON/OFF.....	4.84, 6.73, 6.75, 6.76, 6.78, 6.82	SELECT OBJECT.....	4.135, 4.179
POWER REF.....	6.214	SELECT TRACE.....	4.9, 4.42, 4.98, 6.71, 6.239
PREAMP.....	4.139	SELFTEST.....	4.161, 6.7
PREAMP ON/OFFESPI.....	6.154	SELFTEST RESULTS.....	4.161, 6.116
PREDEFINED COLORS.....	4.136, 4.180, 6.120, 6.146	SERVICE.....	4.159, 6.114
PRESCAN PHASES.....	6.153	SET CP REFERENCE.....	4.92, 6.237
PRESELECT ON/OFFESPI.....	6.154	SET REFERENCE.....	4.86, 6.82
PRINT SCREEN.....	4.36, 4.174, 6.147, 6.148, 6.164	SET TO DEFAULT.....	4.180
PRINT TABLE.....	4.174, 6.147, 6.148, 6.164	SET TO STANDARD.....	6.211
PRINT TRACE.....	4.174, 6.147, 6.148, 6.164	SETTINGS COUPLED.....	6.49
PULSE xx.....	6.115	SGL SWEEP DISP OFF.....	4.30, 6.151
PWR OFFSET.....	4.189	SHIFT X LIMIT LINE.....	4.127, 6.38
QP RBW UNCOUPLED.....	6.207	SHIFT Y LIMIT LINE.....	4.127, 6.44
QUASISPEAK.....	6.220	SIGNAL COUNT.....	4.60, 6.48
QUASISPEAKESPI.....	6.220	SIGNAL STATISTIC.....	4.108
RANGE LINEAR.....	4.14, 6.123	SIGNAL TRACK.....	4.9, 6.70
RANGE LOG 100 dB.....	4.13, 6.121, 6.123	SINGLE MEAS.....	4.111, 6.150, 6.151
RANGE LOG MANUAL.....	4.14, 6.121, 6.123	SINGLE SCAN.....	6.150

SINGLE SWEEP	4.28, 6.150, 6.151
SOFT FRONT PANEL	4.154
SORT MODE	4.171
SORT MODE FREQ/LEVEL	4.71
SOURCE CAL	4.190, 4.205
SOURCE ON/OFF	4.188, 6.170
SOURCE POWER	4.189, 4.204, 6.248, 6.251
SPAN MANUAL	4.10, 6.222
SPAN/RBW AUTO [50]	4.23, 6.207
SPAN/RBW MANUAL	4.24, 6.207
SPLIT SCREEN	4.133, 6.118
STANDARD DEVIATION	4.85, 6.78, 6.79
START	4.8, 6.222
START LIMIT	4.85, 4.86, 6.47
STARTUP RECALL	4.169, 6.163
STATISTICS	4.157, 6.5
STEPSIZE	6.221
STEPSIZE MANUAL	4.8
STOP	4.8, 6.223
STOP LIMIT	4.85, 4.86, 6.47
STOP SCAN	6.8
SWEEP COUNT	4.29, 4.44, 6.242
SWEEP POINTS	4.30, 6.244
SWEPTIME AUTO	4.22, 4.29, 6.241
SWEPTIME MANUAL	4.10, 4.21, 4.29, 6.241
SYSTEM INFO	4.155
SYSTEM MESSAGES	4.158, 6.270, 6.271
T1-T2	4.54, 6.87
T1-T3	4.54, 6.87
THRESHOLD	4.71, 4.77, 6.93, 6.94
TIME DOM POWER	4.83, 6.73, 6.75, 6.76, 6.78
TIME LINE 1/2	4.130
TIME+DATE	4.150, 6.270, 6.273
TIME+DATE ON/OFF	4.134, 6.121
TINT	4.136, 4.179, 6.119, 6.145
TOI	4.116, 6.63
TRACE MATH	4.54, 6.87
TRACE MATH OFF	4.54, 6.88
TRACE POSITION	4.54, 6.87
TRACK BW	4.9, 6.70
TRACK ON/OFF	4.9, 6.70
TRACK THRESHOLD	4.9, 6.71
TRACKING	4.188
TRANSDUCER	4.140
TRANSDUCER	6.217
TRANSDUCER FACTOR	4.140, 6.217, 6.219
TRANSDUCER SET	6.217
TRIGGER OFFSET	4.32, 6.294
TUNE TO MARKER	6.64
TV TRIG SETTINGS	4.39
TV TRIGGER ON/OFF	4.39, 6.245
UNIT	4.14, 6.95, 6.297
USE SCAN TABLES PI	6.240
USER DEFINED	4.178
USER PORT IN/OUTESPI	6.153
USER PORTESPI	6.153
VALUES	4.127, 6.37, 6.39, 6.42
VBW LIN LOG	4.27, 6.209
VERT SYNC	4.39, 6.295
VERT SYNC EVEN FIELD	4.39, 6.295
VERT SYNC ODD FIELD	4.39, 6.295
VIDEO	4.31, 6.291, 6.293
VIDEO BW AUTO	4.21, 6.208
VIDEO BW MANUAL	4.20, 6.208
VIDEO POL POS / NEG	4.40, 6.295
VIEW	4.44, 6.124
VIEW TRANSDUCER	4.141
VOLT	4.14, 6.95, 6.297
WATT	4.14, 6.95, 6.297
X * RBW	4.7, 6.221, 6.222
X * SPAN	4.6, 6.221, 6.222
X OFFSET	4.122, 6.38
X-AXIS RANGE	4.110, 6.91
X-AXIS REF LEVEL	4.109, 6.90
Y AXIS MAX VALUE	6.91
Y OFFSET	4.122, 6.40, 6.43
Y-AXIS MAX VALUE	4.110
Y-AXIS MIN VALUE	4.110, 6.91
ZERO SPAN	4.10, 6.222
ZOOM x-AXIS	4.36
Zuordnung Befehl	6.344
Softkey GRID MIN LEVEL	6.123
Span	4.10
Special characters	6.2
Spectrum analyzer mode	4.5
Split screen	3.8, 4.133
Squelch	4.72
SRE (service request enable register)	5.21
SRQ (service request)	5.21, 5.31
Standard deviation	4.85
Standard, mobile radio	4.91
Start frequency	4.8
Statistics	4.106
Status byte (STB)	5.21
Status information	3.4
IFOVL	3.5
MSG	3.5
OVN	3.5
OVL D	3.5
UNCAL	3.4
Status Questionable	
TRANSDUCER register	5.30
Status register	
CONDITION part	5.19
ENABLE part	5.19
ESE	5.22
ESR	5.22
EVENT part	5.19
NTRANSITION part	5.19
overview	5.20
PPE	5.22
PTRANSITION part	5.19
SRE	5.21
STATUS QUESTIONABLE	
TRANSDUCER	5.30
STATUS\OPERATION	5.23
STATUS\QUESTIONABLE	
ACPLIMIT	5.25
FREQUENCY	5.26
LIMIT	5.27
LMARGIN	5.28
POWER	5.29
STATUS-QUESTIONABLE	
SYNC	5.30
STB	5.21
structure	5.18
sum bit	5.19
Status reporting system	5.18
resetting values	5.33
STATUS\OPERATION register	5.23
STATUS\QUESTIONABLE register	5.24
ACPLIMIT register	5.25
FREQUENCY register	5.26
LIMIT register	5.27
LMARGIN register	5.28
POWER register	5.29
SYNC	5.30
STB (status byte)	5.21
Stepsize	4.8
center frequency	4.6
coupling	4.8
Stop frequency	4.8
Storing	8.1
String	5.14

- Suffix 5.11
Sum bit 5.19
Supply voltage, external noise source 4.138
Sweep
 continue single sweep 4.29
 continuous 4.28
 count 4.29
 coupling 4.18
 free run 4.31
 gated 4.33, 4.34
 settings 4.28
 single 4.28
 time 4.10, 4.29
 coupling 4.22
Switching cycles 4.157
Switching on/off 1.16
Sync signal 4.39
Syntax elements of commands 5.14
System messages 4.158
- T**
- T1-T2 (trace info) 3.5
T1-T3 (trace info) 3.5
Table
 operation 3.21
 scrolling 3.23
TDF (enhancement lable) 3.6
TDS (enhancement lable) 3.6
Test
 functional 1.18
 selftest 4.161
Text parameter 5.14
TG I /AM IN 8.13
TG Q /FM IN 8.13
Third Order Intercept 4.115
Threshold
 line 4.77
 signal tracking 4.9
Time 4.134
 input 4.150
 Line 4.130
Time axis 4.10
Tint 4.136
Title for the active diagram 4.134
TOI 4.115
Trace 4.41, 4.42
 average 4.43
 averaging 4.45
 blank 4.44
 Clear/Write 4.42
 copy 4.48
 freeze 4.44
 math 4.54
 max hold 4.42
 min hold 4.45
 position for 0 difference 4.54
 select 4.41
 signal tracking 4.9
Trace info 3.5
Tracking generator 4.187
Transducer
 Activating 4.139
 Entry 4.142
Transmission measurement 4.190, 4.205
Transmission parameters RS-232-C/COM 8.8
TRG (enhancement lable) 3.6
Trigger
 external 4.32
 external gate 4.34
 free run 4.31
 gated sweep 4.35
 IF power 4.32
 offset 4.32
 RF power 4.38
 slope 4.32
 sweep 4.31
 video 4.31
TV trigger 4.39
- U**
- UNCAL 3.4
Unit
 level axis 4.14
 limit line 4.125
Unit (key) 3.11
Universal command 8.5
Upper case 6.2
User Interface 8.10
- V**
- Vertical sync signal 4.39
Video bandwidth 4.20
Video polarity 4.40
Video triggering 4.31
VIEW (trace info) 3.5
View trace 4.44
- W**
- White space 5.14
Windows NT 1.19
 administrator 1.19
 login 1.19
 password 1.19
- Z**
- Zero span 4.10
Zoom 4.63
 amplitude 4.44
 x-AXIS (gate signal) 4.36